



Chipsmall Limited consists of a professional team with an average of over 10 year of expertise in the distribution of electronic components. Based in Hongkong, we have already established firm and mutual-benefit business relationships with customers from,Europe,America and south Asia,supplying obsolete and hard-to-find components to meet their specific needs.

With the principle of “Quality Parts,Customers Priority,Honest Operation,and Considerate Service”,our business mainly focus on the distribution of electronic components. Line cards we deal with include Microchip,ALPS,ROHM,Xilinx,Pulse,ON,Everlight and Freescale. Main products comprise IC,Modules,Potentiometer,IC Socket,Relay,Connector.Our parts cover such applications as commercial,industrial, and automotives areas.

We are looking forward to setting up business relationship with you and hope to provide you with the best service and solution. Let us make a better world for our industry!



Contact us

Tel: +86-755-8981 8866 Fax: +86-755-8427 6832

Email & Skype: info@chipsmall.com Web: www.chipsmall.com

Address: A1208, Overseas Decoration Building, #122 Zhenhua RD., Futian, Shenzhen, China



P/N: 62103-1302

Copyright

© 2016, FLIR Systems, Inc.

All rights reserved worldwide. Names and marks appearing herein are either registered trademarks or trademarks of FLIR Systems and/or its subsidiaries. All other trademarks, trade names or company names referenced herein are used for identification only and are the property of their respective owners.

Document identity

Publ. No.: 62103-1302
 Release:
 Commit: 30383
 Language: en-US
 Modified: 2015-11-13
 Formatted: 2016-01-28

Website

<http://www.flir.com>

Customer support

<http://support.flir.com>

Disclaimer

Specifications subject to change without further notice. Camera models and accessories subject to regional market considerations. License procedures may apply. Products described herein may be subject to US Export Regulations. Please refer to exportquestions@flir.com with any questions.



General description

The FLIR T440 is a camera that offers good performance at an affordable price. Excellent ergonomics, a walk-up-and-use interface, and easy communication make the FLIR T440 a truly user-friendly camera for the beginner or advanced user.

Benefits:

- Excellent ergonomics: The FLIR T440 has a tiltable infrared unit and auto-orientation, which make it easy to capture images from any angle comfortably. The small size and low weight of the camera facilitate its use over a full working day.
- Affordable performance: The FLIR T440 is equipped with the innovative Multi Spectral Dynamic Imaging (MSX) feature, which produces an image richer in detail than ever before. You can highlight objects of interest, on both the infrared and the visual images, by sketching or adding predefined stamps directly onto the camera's touch screen.
- Extensive communication options: The Wi-Fi connectivity of the FLIR T440 allows you to connect to smart phones or tablets, for the wireless transfer of images or the remote control of the camera. The Bluetooth-based METERLINK function transfers readings from external measurement instruments to the infrared image.
- Support for UltraMax: When enabling UltraMax in the camera, the resolution of images can be substantially enhanced when importing the images into FLIR Tools.

Imaging and optical data

| | |
|---------------------------|--------------------------------|
| IR resolution | 320 × 240 pixels |
| MSX resolution | 320 × 240 pixels |
| UltraMax | Yes |
| Thermal sensitivity/NETD | <40 mK @ +30°C (+86°F) |
| Field of view (FOV) | 25° × 19° |
| Minimum focus distance | 0.4 m (1.31 ft.) |
| Focal length | 18 mm (0.7 in.) |
| Spatial resolution (IFOV) | 1.36 mrad |
| F-number | 1.3 |
| Image frequency | 60 Hz |
| Focus | Automatic (one shot) or manual |
| Digital zoom | 2x, 4x and 8x |

P/N: 62103-1302

© 2016, FLIR Systems, Inc.

#62103-1302; r. /30383; en-US

| Detector data | |
|---------------------------------|---|
| Detector type | Focal plane array (FPA), uncooled microbolometer |
| Spectral range | 7.5–13 μm |
| Detector pitch | 25 μm |
| Image presentation | |
| Display | Touch screen, 3.5 in. LCD, 320 × 240 pixels |
| Auto orientation | Automatic landscape or portrait |
| Image adjustment | Auto or manual |
| Image presentation modes | |
| Thermal MSX | Thermal image with enhanced detail presentation |
| Picture in Picture | Resizable and movable IR area on visual image |
| Measurement | |
| Object temperature range | <ul style="list-style-type: none"> • -20°C to +120°C (-4°F to +248°F) • 0°C to +650°C (+32°F to +1202°F) • +250°C to +1200°C (+482°F to +2192°F) |
| Accuracy | ±2°C (±3.6°F) or 2%, whichever is greater, at 25° C (77°F) nominal. |
| Measurement analysis | |
| Spotmeter | 5 |
| Area | 5 + 5 areas (boxes or circles) with max./min./average (in post-acquisition analysis) |
| Profile | 1 line profile with max/min temp. |
| Automatic hot/cold detection | Auto hot or cold spotmeter markers within area and profile |
| Measurement presets | No measurements, Center spot, Hot spot, Cold spot, User preset 1, User preset 2 |
| User presets (in live images) | The user can select and combine measurements from any number of available spots/boxes/circles/profiles/delta |
| Difference temperature | Delta temperature between measurement functions or reference temperature |
| Reference temperature | Manually set using difference temperature |
| Emissivity correction | Variable from 0.01 to 1.0 or selected from materials list |
| Measurement corrections | Emissivity, reflected temperature, relative humidity, atmospheric temperature, object distance, external IR window compensation |
| Colors (palettes) | Iron, Rainbow, Rainbow HC, White hot, Black hot, Arctic, Lava |
| Alarm | |
| Color Alarm (isotherm) | Above/below/interval |
| Measurement function alarm | Audible/visual alarms (above/below) on any selected measurement function |
| Screening | Difference temperature alarm, audible |



FLIR T440 (incl. Wi-Fi and 15° lens)

P/N: 62103-1302

© 2016, FLIR Systems, Inc.

#62103-1302; r. /30383; en-US

| Set-up | |
|--|---|
| Set-up commands | Define user presets, Save options, Programmable button, Reset options, Set up camera, Wi-Fi, Compass, Bluetooth, Language, Time & units, Camera information |
| Service functions | |
| Camera software update | Use PC software FLIR Tools |
| Storage of images | |
| Image storage | Standard JPEG, including digital photo and measurement data, on memory card |
| Image storage mode | <ul style="list-style-type: none">• Simultaneous storage of thermal and digital photo in same JPEG file.• Optional to store digital photo as a separate JPEG file. |
| Time lapse | 15 seconds to 24 hours |
| Image annotations (in still images) | |
| Voice | 60 seconds (via Bluetooth) stored with the image |
| Text | Add table. Select between predefined templates or create your own in FLIR Tools |
| Image description | Add short note (stored in JPEG EXIF tag) |
| Sketch | Draw on thermal/digital photo or add predefined stamps |
| METERLiNK | Wireless connection (Bluetooth) to: FLIR meters with METERLiNK |
| Report generation | <ul style="list-style-type: none">• Instant Report (*.pdf file) in camera including IR and visual images• Separate PC software with extensive report generation |
| Geographic Information System | |
| Compass | Camera direction automatically added to every still image |
| Video recording in camera | |
| Non-radiometric IR video recording | MPEG-4 to memory card |
| Visual video recording | MPEG-4 to memory card |
| Video streaming | |
| Radiometric IR video streaming | Full dynamic to PC using USB or to mobile devices using Wi-Fi. |
| Non-radiometric IR video streaming | <ul style="list-style-type: none">• MPEG-4 using Wi-Fi• Uncompressed colorized video using USB |
| Visual video streaming | <ul style="list-style-type: none">• MPEG-4 using Wi-Fi• Uncompressed colorized video using USB |



FLIR T440 (incl. Wi-Fi and 15° lens)

P/N: 62103-1302

© 2016, FLIR Systems, Inc.

#62103-1302; r. /30383; en-US

| Digital camera | |
|------------------------------|--|
| Built-in digital camera | 3.1 Mpixels with LED light (photo as separate image) |
| Digital camera, focus | Fixed focus |
| Digital camera, FOV | Adapts to the IR lens |
| Built-in digital lens data | FOV 53° × 41° |
| Digital camera, aspect ratio | 4:3 |

| Laser pointer | |
|----------------------|---|
| Laser | Activated by dedicated button |
| Laser alignment | Position is automatic displayed on the IR image |
| Laser classification | Class 2 |
| Laser type | Semiconductor AlGaInP diode laser |
| Laser power | 1 mW |
| Laser wavelength | 635 nm (red) |

| Data communication interfaces | |
|--------------------------------------|--|
| Interfaces | USB-mini, USB-A, Bluetooth, Wi-Fi, composite video |
| METERLiNK/Bluetooth | Communication with headset and external sensors |
| Wi-Fi | Peer to peer (ad hoc) or infrastructure (network) |
| SD Card | One card slot for removable SD memory cards |

| USB | |
|---------------|--|
| USB | <ul style="list-style-type: none">• USB-A: Connect external USB device• USB Mini-B: Data transfer to and from PC / uncompressed colorized video |
| USB, standard | USB Mini-B: 2.0 |

| Composite video | |
|------------------------|---|
| Video out | Composite |
| Video, standard | CVBS (ITU-R-BT.470 PAL/SMPTE 170M NTSC) |
| Video, connector type | 4-pole 3.5 mm jack |

| Radio | |
|---------------------|---|
| Wi-Fi | <ul style="list-style-type: none">• Standard: 802.11 b/g• Frequency range: 2412–2462 MHz• Max. output power: 15 dBm |
| METERLiNK/Bluetooth | Frequency range: 2402–2480 MHz |
| Antenna | Internal |

| Power system | |
|---------------------|--|
| Battery type | Rechargeable Li ion battery |
| Battery voltage | 3.7 V |
| Battery capacity | 4.4 Ah, at +20°C to +25°C (+68°F to +77°F) |

P/N: 62103-1302

© 2016, FLIR Systems, Inc.

#62103-1302; r. /30383; en-US

| Power system | |
|----------------------------------|--|
| Battery operating time | Approx. 4 hours at +25°C (+77°F) ambient temperature and typical use |
| Charging system | In camera (AC adapter or 12 V from a vehicle) or 2-bay charger |
| Charging time | 4 h to 90% capacity, charging status indicated by LED's |
| Charging temperature | 0°C to +45°C (+32°F to +113°F) |
| Power management | Automatic shutdown and sleep mode (user selectable) |
| AC operation | AC adapter, 90–260 VAC input, 12 V output to camera |
| Start-up time from sleep mode | Instant on |
| Environmental data | |
| Operating temperature range | –15°C to +50°C (+5°F to +122°F) |
| Storage temperature range | –40°C to +70°C (–40°F to +158°F) |
| Humidity (operating and storage) | IEC 60068-2-30/24 h 95% relative humidity +25° C to +40°C (+77°F to +104°F) / 2 cycles |
| EMC | <ul style="list-style-type: none"> • ETSI EN 301 489-1 (radio) • ETSI EN 301 489-17 • EN 61000-6-2 (Immunity) • EN 61000-6-3 (Emission) • FCC 47 CFR Part 15 B (Emission) • ICES-003 |
| Radio spectrum | <ul style="list-style-type: none"> • ETSI EN 300 328 • FCC Part 15.247 • RSS-210 |
| Magnetic fields | EN 61 000-4-8, Test level 5 for continuous field (severe industrial environment) |
| Encapsulation | IP 54 (IEC 60529) |
| Shock | 25 g (IEC 60068-2-27) |
| Vibration | 2 g (IEC 60068-2-6) |
| Safety | EN/UL/CSA/PSE 60950-1 |
| Physical data | |
| Camera weight, incl. battery | 0.855 kg (1.88 lb.) |
| Camera size (L × W × H) | 106 × 201 × 125 mm (4.2 × 7.9 × 4.9 in.), with built-in lens pointing forward |
| Tripod mounting | UNC ¼"-20 (adapter needed) |
| Material | <ul style="list-style-type: none"> • Polycarbonate + acrylonitrile butadiene styrene (PC-ABS) • Thixomold magnesium • Thermoplastic elastomer (TPE) |
| Color | Graphite gray and black |

P/N: 62103-1302

© 2016, FLIR Systems, Inc.

#62103-1302; r. /30383; en-US

| Shipping information | |
|----------------------|--|
| Packaging, type | Cardboard box |
| List of contents | <ul style="list-style-type: none"> • Infrared camera with lens • Battery (2 ea.) • Battery charger • Bluetooth headset • Camera lens cap • Calibration certificate • FLIR Tools download card • User documentation CD-ROM • Printed documentation • Hard transport case • Memory card • Neckstrap • Power supply, incl. multi-plugs • Sunshield • USB cable • Video cable • IR lens, f = 30 mm, 15° |
| Packaging, weight | 5.7 kg (12.6 lb.) |
| Packaging, size | 495 × 192 × 370 mm (19.49 × 7.56 × 14.57 in.) |
| EAN-13 | 7332558010846 |
| UPC-12 | 845188011598 |
| Country of origin | Sweden |

Supplies & accessories:

- 1196961; IR lens, f = 30 mm, 15° incl. case
- 1196960; IR lens, f = 10 mm, 45° incl. case
- T197215; Close-up 4x (100 µm) incl. case
- T197214; Close-up 2x (50 µm) incl. case
- T197408; IR lens, 76 mm (6°) with case and mounting support for T/B-200/400
- T197412; IR lens, 4 mm (90°) with case and mounting support for T/B2xx-4xx
- T197000; High temp. option +1200°C (+2192°F)
- T910814; Power supply, incl. multi plugs
- T197667; Battery package
- T197650; 2-bay battery charger, incl. power supply with multi plugs
- 1196398ACC; Battery
- T911230ACC; Memory card SDHC 4 GB
- 1910423; USB cable Std A <-> Mini-B
- T198509; Cigarette lighter adapter kit, 12 VDC, 1.2 m/3.9 ft.
- 1910582ACC; Video cable
- T198370ACC; Hard transport case for FLIR T/B2xx-4xx
- T198495; Pouch for FLIR T6xx and T4xx series
- 1124545; Pouch
- T198493; Sun shield
- T198499; Neck strap
- T197771ACC; Bluetooth Headset
- T911093; Tool belt
- 19250-100; IR Window 2 in
- 19251-100; IR Window 3 in.
- 19252-100; IR Window 4 in.
- 19250-200; SS IR Window 2 in.
- 19251-200; SS IR Window 3 in.
- 19252-200; SS IR Window 4 in.



FLIR T440 (incl. Wi-Fi and 15° lens)

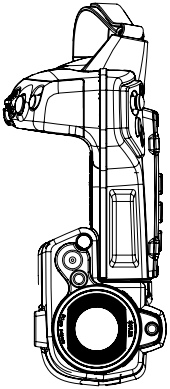
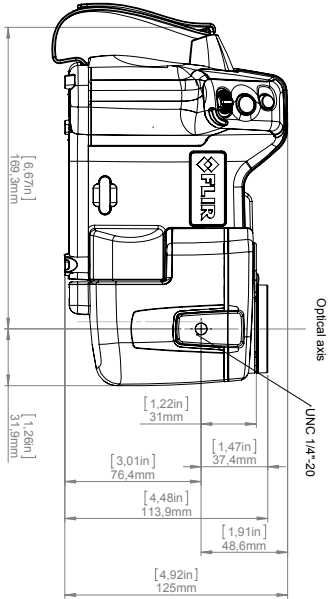
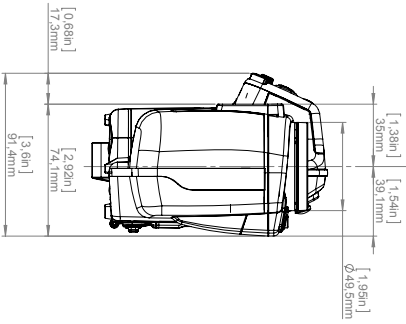
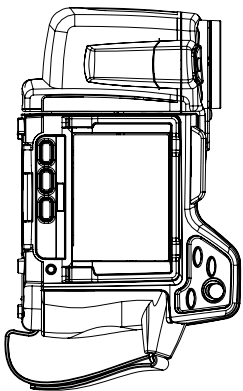
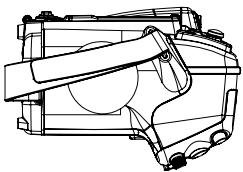
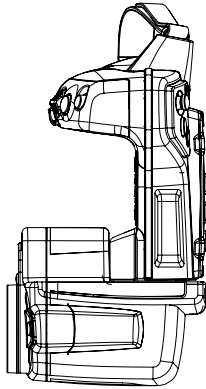
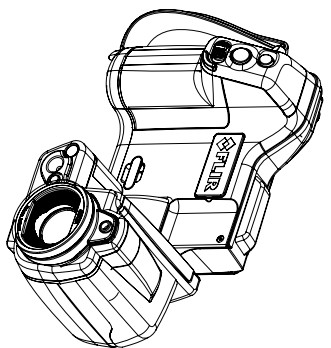
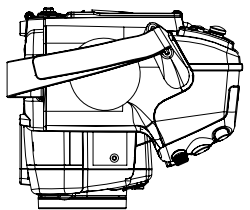
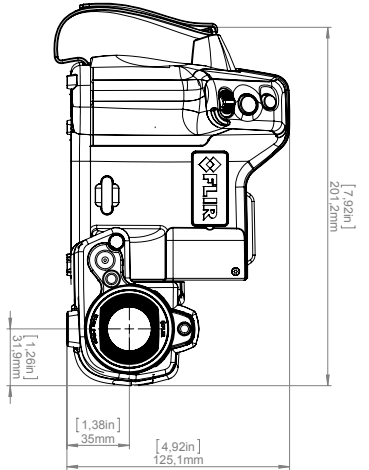
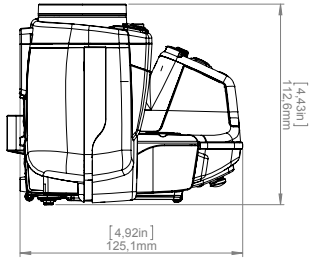
P/N: 62103-1302

© 2016, FLIR Systems, Inc.

#62103-1302; r. /30383; en-US

- T198586; FLIR Reporter Professional (license only)
- T198584; FLIR Tools
- T198583; FLIR Tools+ (download card incl. license key)
- DSW-10000; FLIR IR Camera Player
- APP-10002; FLIR Tools Mobile (Android Application)
- APP-10004; FLIR Tools (MacOS Application)
- T198697; FLIR ResearchIR Max + HSDR 4 (hardware sec. dev.)
- T199014; FLIR ResearchIR Max + HSDR 4 (printed license key)
- T199044; FLIR ResearchIR Max + HSDR 4 Upgrade (printed license key)
- T198696; FLIR ResearchIR Max 4 (hardware sec. dev.)
- T199013; FLIR ResearchIR Max 4 (printed license key)
- T199043; FLIR ResearchIR Max 4 Upgrade (printed license key)
- T198731; FLIR ResearchIR Standard 4 (hardware sec. dev.)
- T199012; FLIR ResearchIR Standard 4 (printed license key)
- T199042; FLIR ResearchIR Standard 4 Upgrade (printed license key)
- T199233; FLIR Atlas SDK for .NET
- T199234; FLIR Atlas SDK for MATLAB

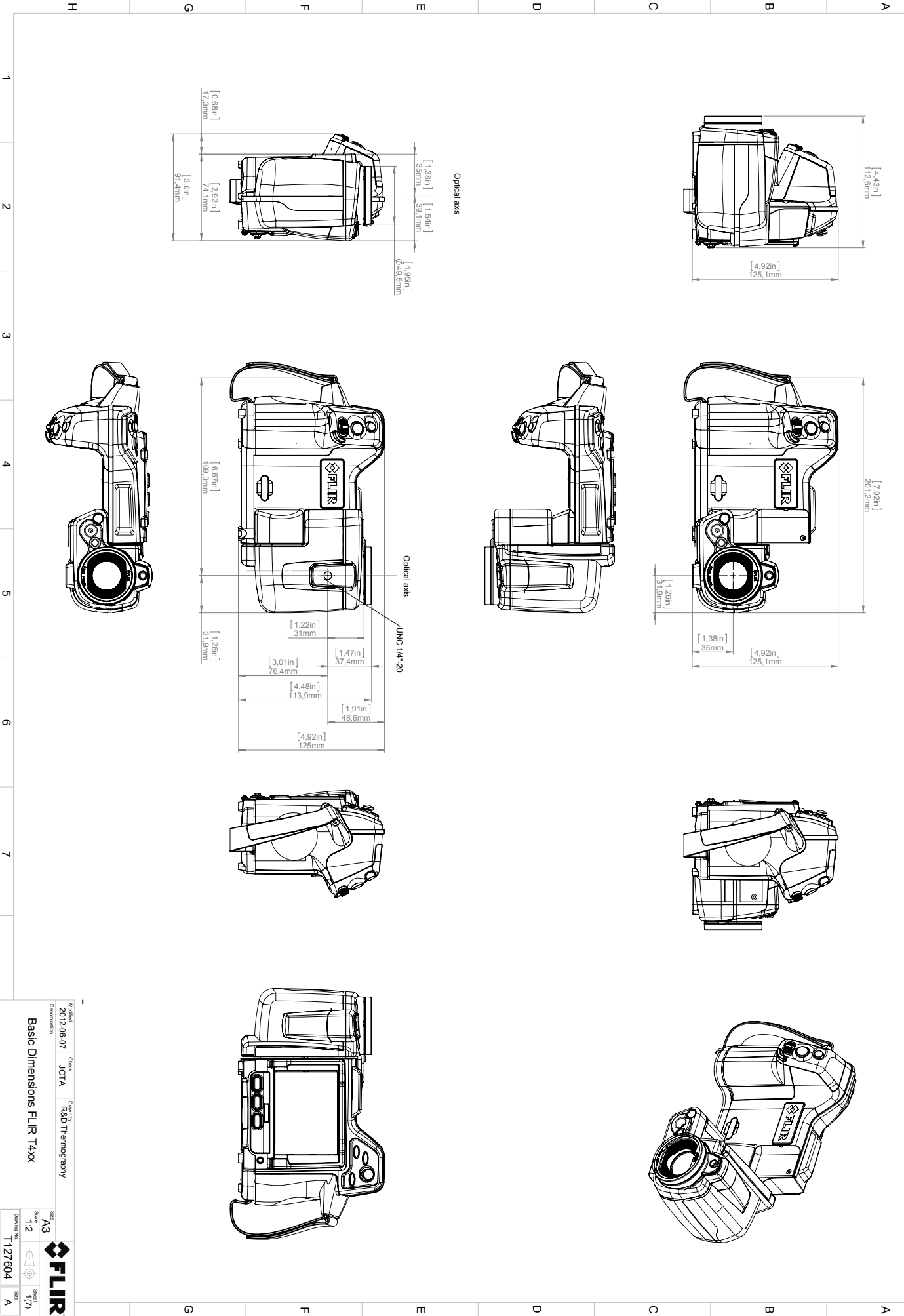
Camera with built-in IR lens f=18 mm (25°)



Optical axis

Optical axis

UNC 1/4"-20

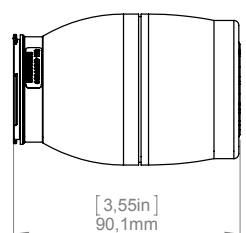
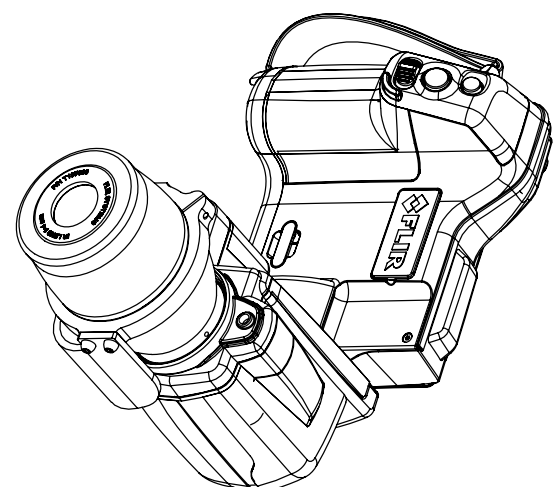
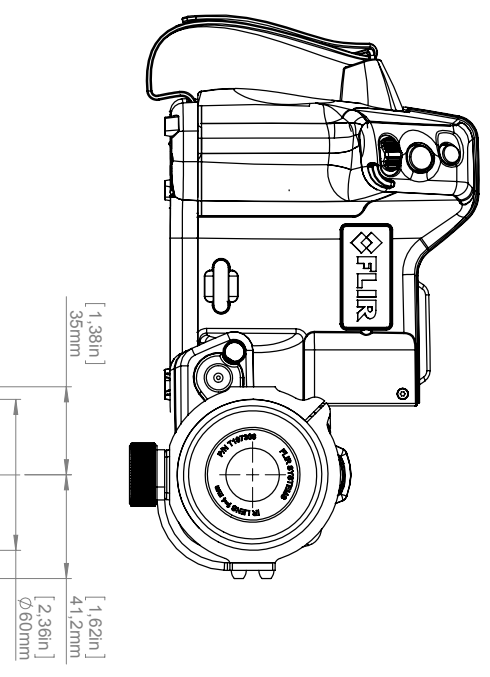
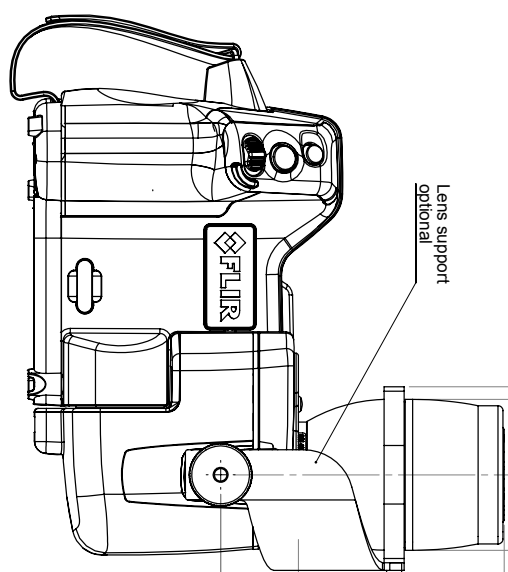
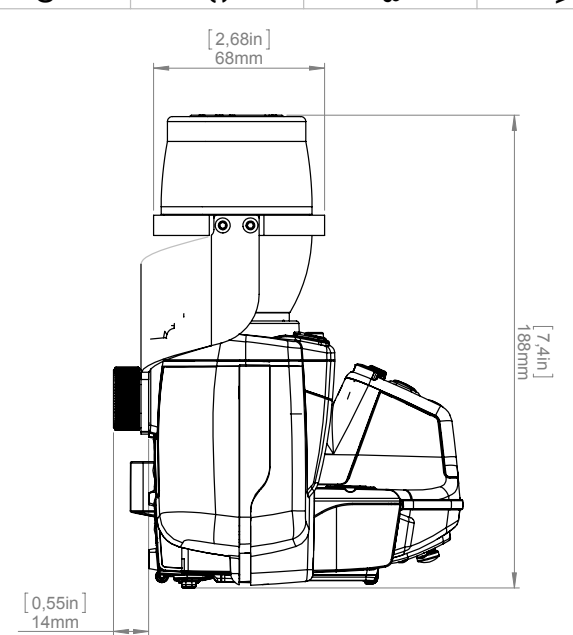
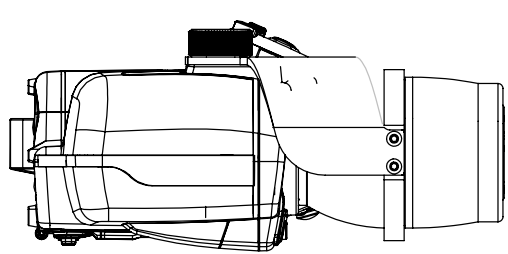


Model: 2012-06-07
 Check: JOTA
 Dimension: R&D Thermography

Model: 2012-06-07
 Check: JOTA
 Dimension: R&D Thermography

Size: A3
 Scale: 1:2
 Drawing No.: T127604
 Size: A

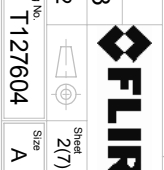
Camera with Lens IR f=4 mm (90°) incl support



H G F E D C B A

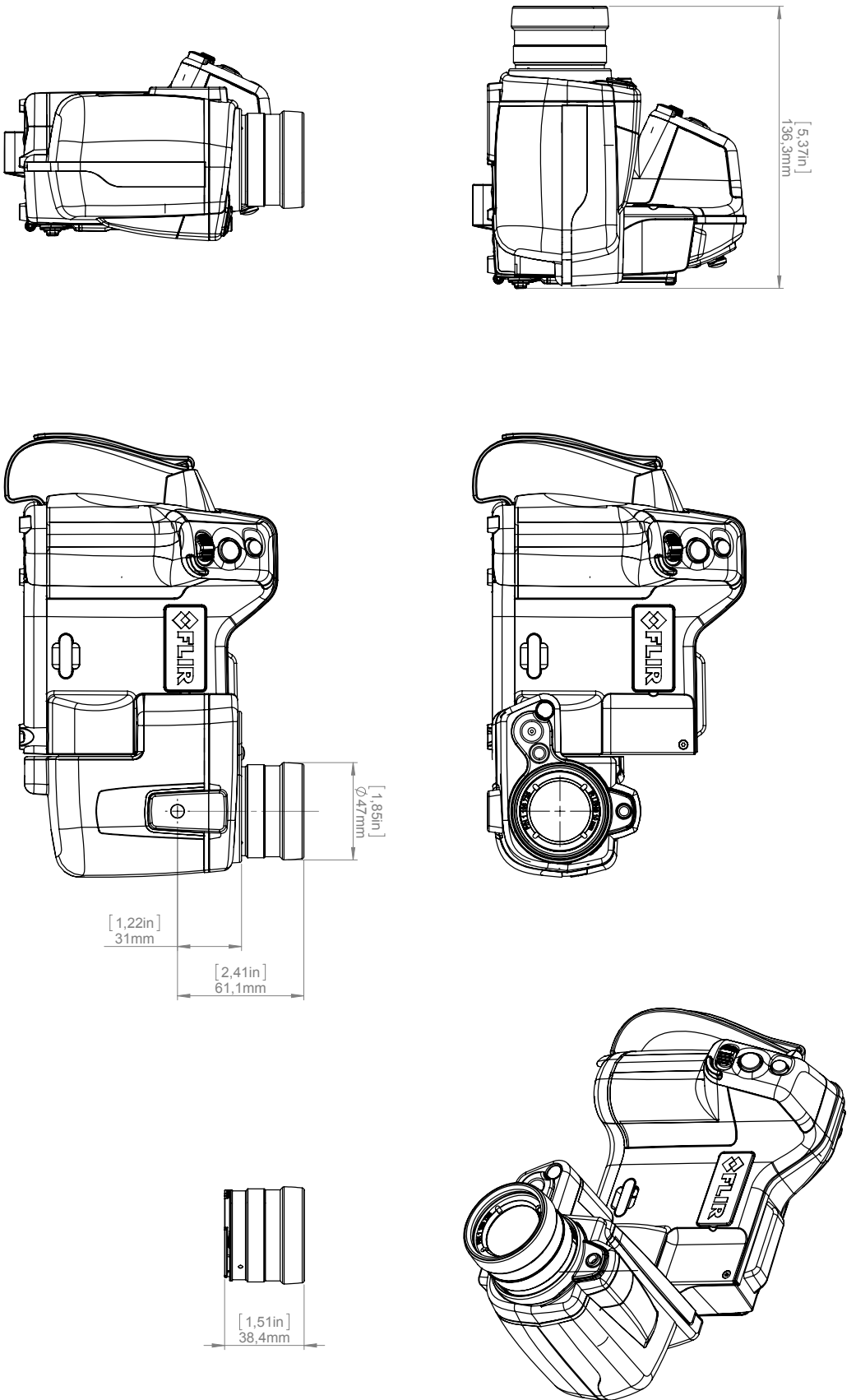
1 2 3 4 5 6 7 8 9 10

| | | |
|---|---------------|------------------------------|
| Modified 2012-06-07 | Check JOTA | Drawn by R&D Thermography |
| Denomination Basic Dimensions FLIR T4xx | | |
| Size A3 | Scale 1:2 | Sheet 2(7) |
| Drawing No. T127604 | | Size A |



© 2012, FLIR Systems, Inc. All rights reserved worldwide. No part of this drawing may be reproduced, stored in a retrieval system, or transmitted in any form, or by any means, electronic, mechanical, photocopying, recording, or otherwise, without written permission from FLIR Systems, Inc. Specifications subject to change without further notice. Dimensional data is based on nominal values. Products may be subject to regional market considerations. License procedures may apply. Product may be subject to US Export Regulations. Please refer to exportquestions@flir.com with any questions. Diversion contrary to US law is prohibited.

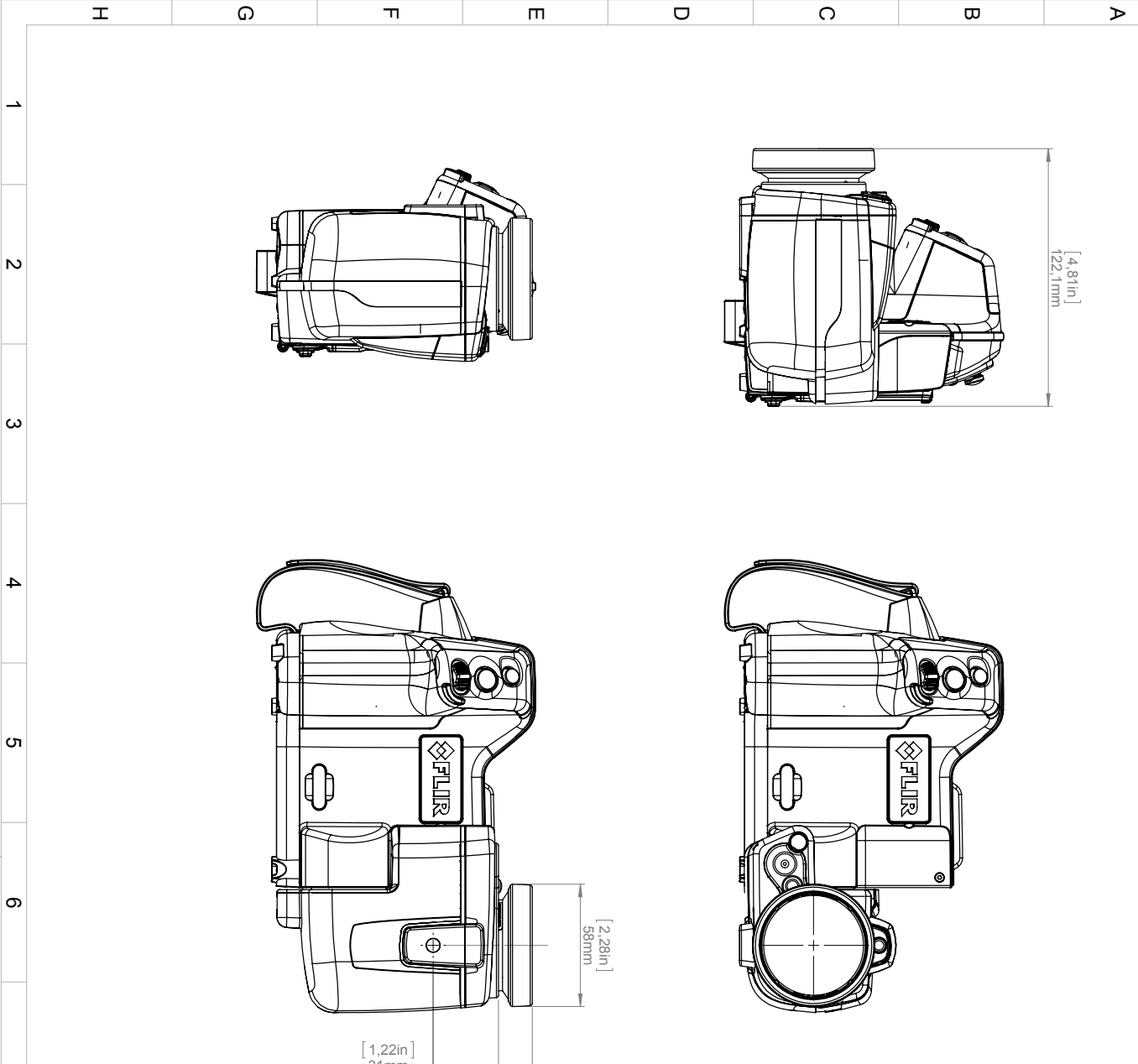
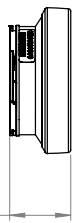
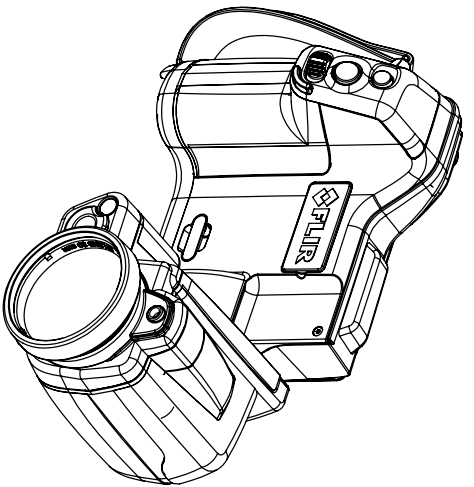
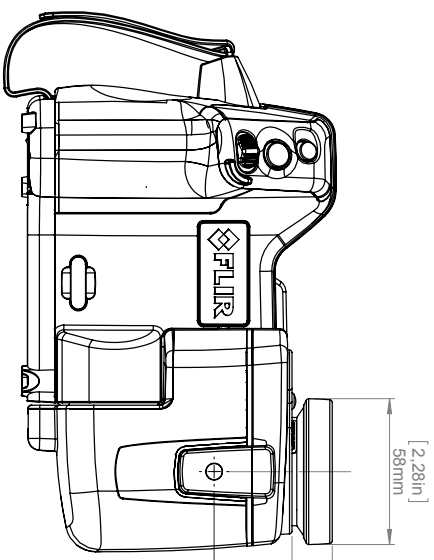
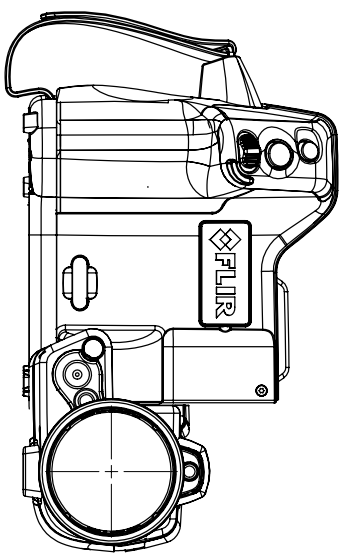
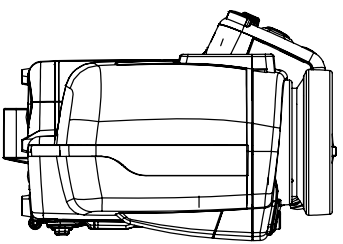
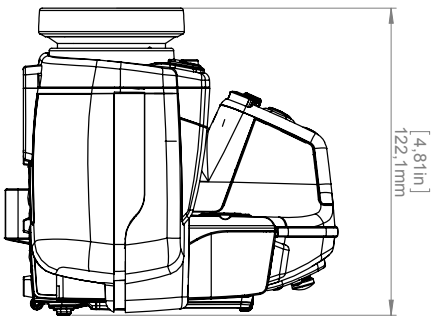
Camera with Lens IR f=10 mm (45°)



| | | |
|--|---------------|------------------------------|
| Modified 2012-06-07 Denomination | Check JOTA | Drawn By R&D Thermography |
| Basic Dimensions FLIR T4xx | | |
| Size A3 | Scale 1:2 | Sheet 3(7) |
| Drawing No. T127604 | Size A | |



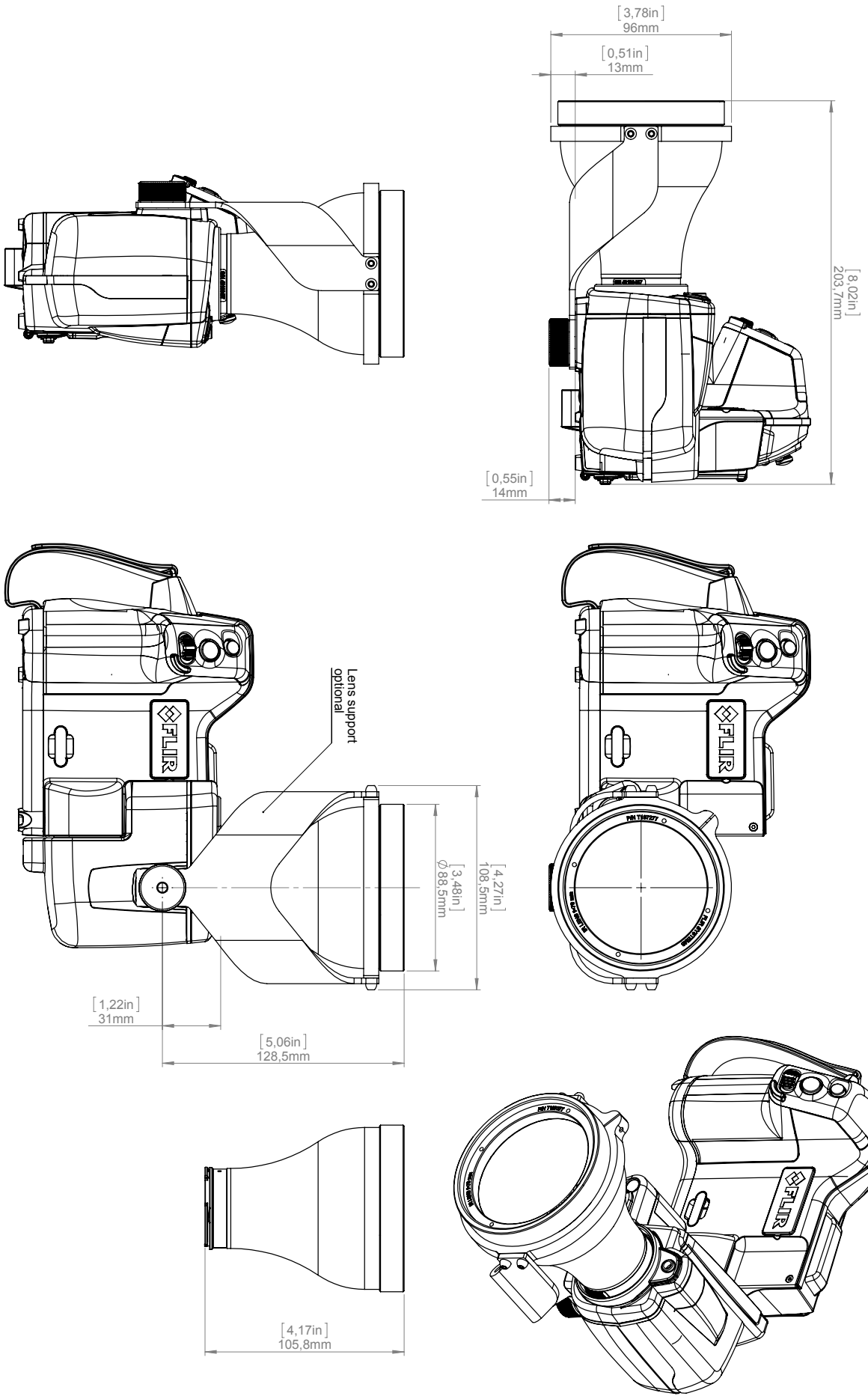
Camera with Lens IR f=30 mm (15°)



| | | |
|---|------------------|------------------------------|
| Modified 2012-06-07 | Check JOTA | Drawn By R&D Thermography |
| Denomination Basic Dimensions FLIR T4xx | | |
| Size A3 | Scale 1:2 | Sheet 4(7) |
| Drawing No. T127604 | Size A | |

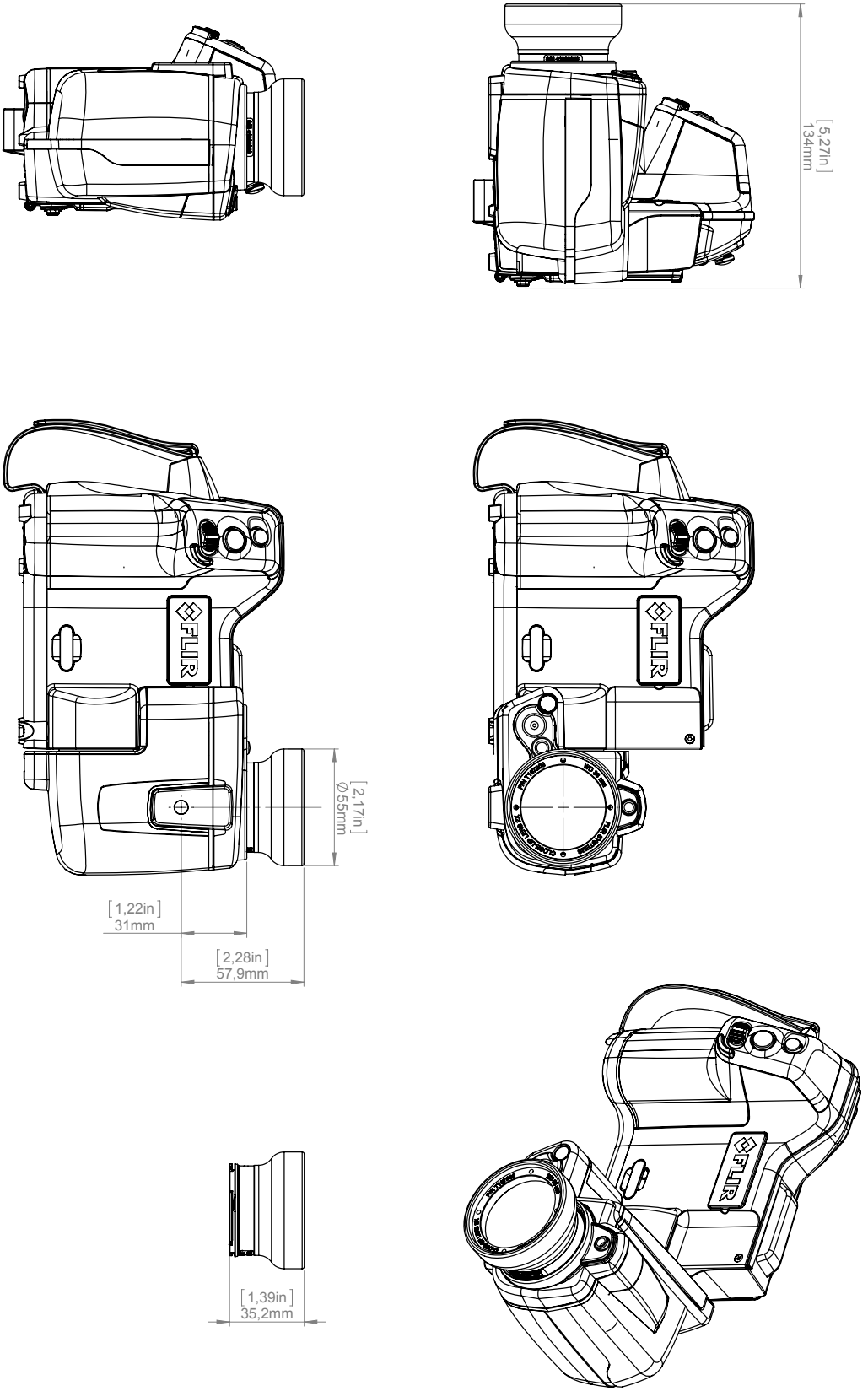
© 2012, FLIR Systems, Inc. All rights reserved worldwide. No part of this drawing may be reproduced, stored in a retrieval system, or transmitted in any form, or by any means, electronic, mechanical, photocopying, recording, or otherwise, without written permission from FLIR Systems, Inc. Specifications subject to change without further notice. Dimensional data is based on nominal values. Products may be subject to regional market considerations. License procedures may apply. Product may be subject to US Export Regulations. Please refer to exportquestions@flir.com with any questions. Diversion contrary to US law is prohibited.

Camera with Lens IR f=76 mm (6°) incl support



| | | |
|---|---------------|------------------------------|
| Modified 2012-06-07 | Check JOTA | Drawn By R&D Thermography |
| Denomination Basic Dimensions FLIR T4xx | | |
| Size A3 | Scale 1:2 | Sheet 5(7) |
| Drawing No. T127604 | Size A | |

Camera with Close-up lens 2X (50 µm)

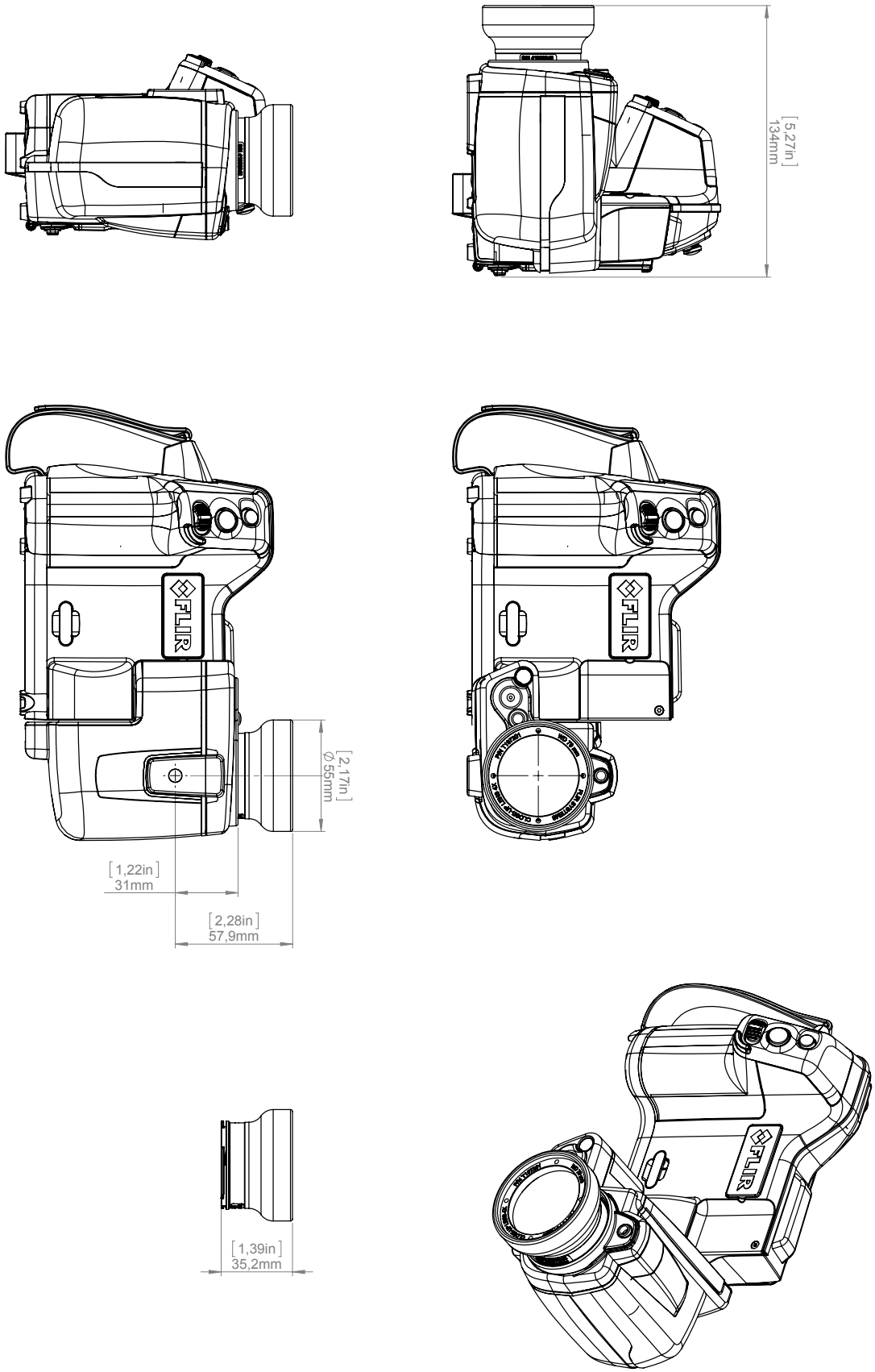


© 2012, FLIR Systems, Inc. All rights reserved worldwide. No part of this drawing may be reproduced, stored in a retrieval system, or transmitted in any form, or by any means, electronic, mechanical, photocopying, recording, or otherwise, without written permission from FLIR Systems, Inc. Specifications subject to change without further notice. Dimensional data is based on nominal values. Products may be subject to regional market considerations. License procedures may apply. Product may be subject to US Export Regulations. Please refer to exportquestions@flir.com with any questions. Diversion contrary to US law is prohibited.

| | | |
|---|---------------|------------------------------|
| Modified 2012-06-07 | Check JOTA | Drawn By R&D Thermography |
| Denomination Basic Dimensions FLIR T4XX | | |
| Size A3 | Scale 1:2 | Sheet 6(7) |
| Drawing No. T127604 | Size A | |



Camera with Close-up lens 4X (100 μm)



| | | | | | |
|--------------|----------------------------|-------|------|----------|------------------|
| Modified | 2012-06-07 | Check | JOTA | Drawn By | R&D Thermography |
| Denomination | Basic Dimensions FLIR T4xx | | | | |

Size **A3**
 Scale **1:2**
 Drawing No. **T127604**

© 2012, FLIR Systems, Inc. All rights reserved worldwide. No part of this drawing may be reproduced, stored in a retrieval system, or transmitted in any form, or by any means, electronic, mechanical, photocopying, recording, or otherwise, without written permission from FLIR Systems, Inc. Specifications subject to change without further notice. Dimensional data is based on nominal values. Products may be subject to regional market considerations. License procedures may apply. Product may be subject to US Export Regulations. Please refer to exportquestions@flir.com with any questions. Diversion contrary to US law is prohibited.

CE Declaration of Conformity

This is to certify that the System listed below have been designed and manufactured to meet the requirements, as applicable, of the following EU-Directives and corresponding harmonising standards. The systems consequently meet the requirements for the CE-mark.

Directives:

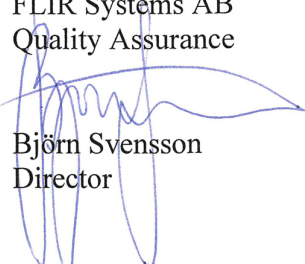
| | |
|-------------------------------|---|
| Directive 2004/108/EC; | Electromagnetic Compatibility |
| Directive 2006/95/EC; | “Low voltage Directive” (Power Supply) |
| Directive 1999/5/EC | “R&TTE on radio equipment and telecommunications terminal equipment” |
| Directive 2002/96/EC | Waste electrical and electronic equipment; WEEE (As applicable) |

Standards:

| | |
|-------------------------------|---|
| Emission: | EN 61000-6-3; Electro magnetic Compatibility Generic standards - Emission |
| Immunity: | EN 61000-6-2; Electro magnetic Compatibility; Generic standards - Immunity |
| Safety (Power Supply): | EN 60950; (or other) Safety of information technology equipment |
| Radio | EN 301489 |

System: **FLIR T4XX series**

FLIR Systems AB
Quality Assurance



Björn Svensson
Director