



Chipsmall Limited consists of a professional team with an average of over 10 year of expertise in the distribution of electronic components. Based in Hongkong, we have already established firm and mutual-benefit business relationships with customers from,Europe,America and south Asia,supplying obsolete and hard-to-find components to meet their specific needs.

With the principle of “Quality Parts,Customers Priority,Honest Operation,and Considerate Service”,our business mainly focus on the distribution of electronic components. Line cards we deal with include Microchip,ALPS,ROHM,Xilinx,Pulse,ON,Everlight and Freescale. Main products comprise IC,Modules,Potentiometer,IC Socket,Relay,Connector.Our parts cover such applications as commercial,industrial, and automotives areas.

We are looking forward to setting up business relationship with you and hope to provide you with the best service and solution. Let us make a better world for our industry!



Contact us

Tel: +86-755-8981 8866 Fax: +86-755-8427 6832

Email & Skype: info@chipsmall.com Web: www.chipsmall.com

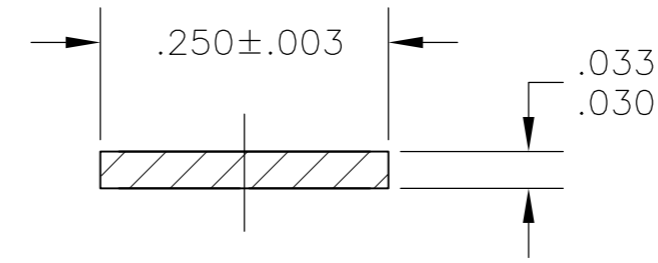
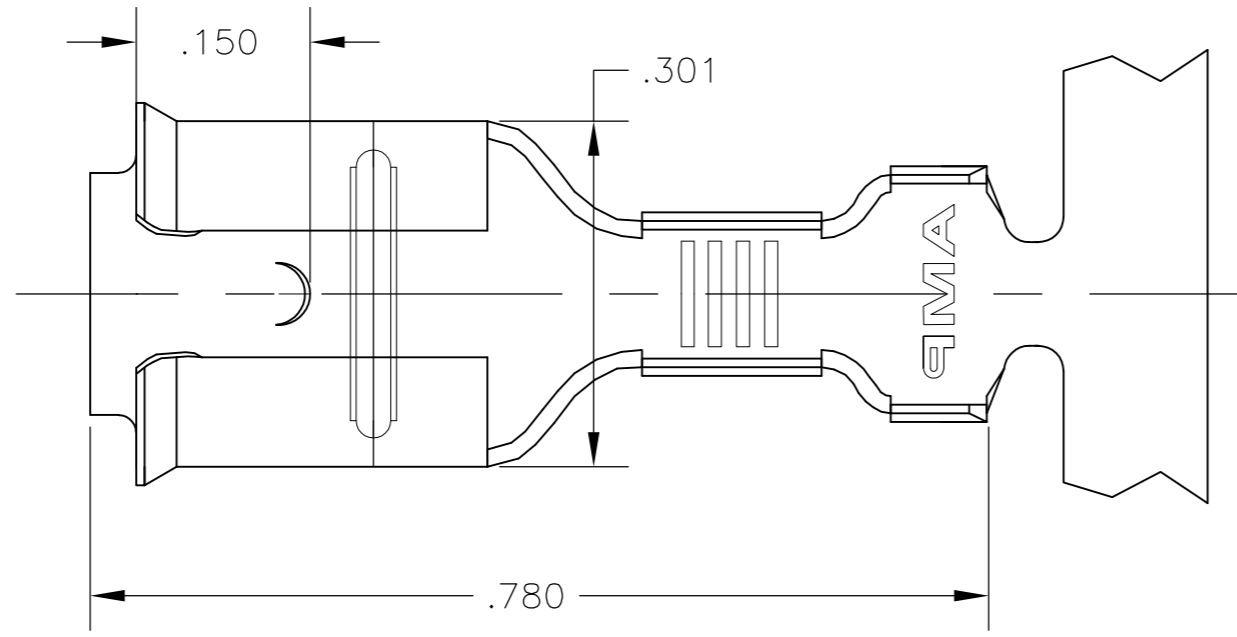
Address: A1208, Overseas Decoration Building, #122 Zhenhua RD., Futian, Shenzhen, China



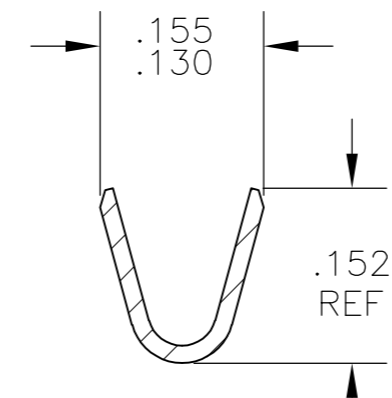
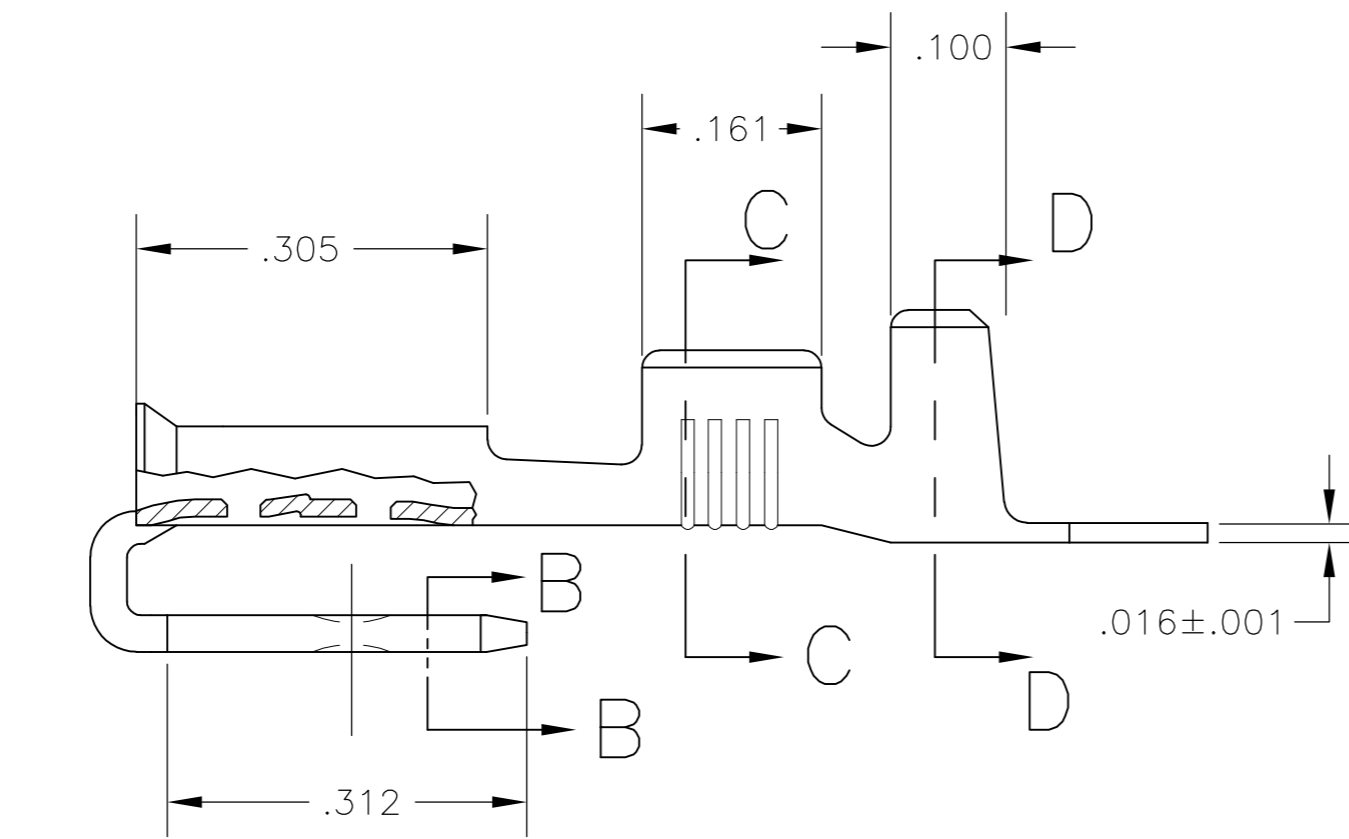
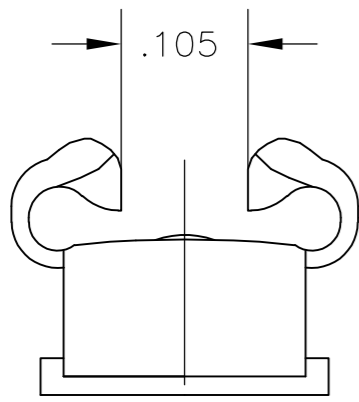
THIS DRAWING IS UNPUBLISHED. RELEASED FOR PUBLICATION
 © COPYRIGHT - By - ALL RIGHTS RESERVED.

LOC	DIST	REVISIONS			
P	LTR	DESCRIPTION	DATE	DWN	APVD
AF	50	J	REVISED PER ECR-12-013459	27NOV2012	KH PD

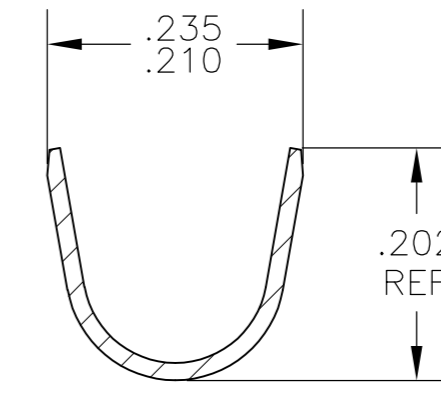
- 1 CONTINUOUS STRIP ON REELS
- 2 MATING TAB THK IS $.032 \pm .001$.
- 3 WIRE SIZE IS #18-#14 AWG
CRIMP WIDTH IS .110, F TYPE
- 4 INSULATION RANGE IS .120-.170 DIA.
CRIMP WIDTH IS .180, F TYPE



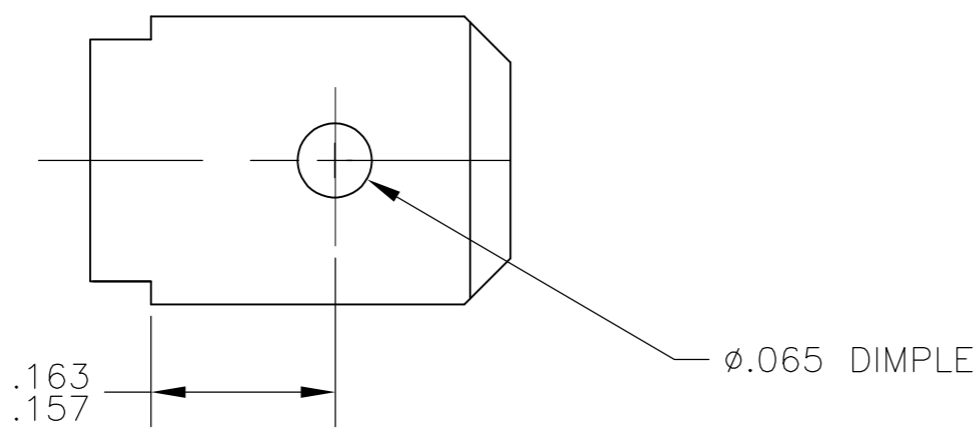
SECTION B-B



SECTION C-C



SECTION D-D



BRASS / TIN	62109-2
BRASS / PLAIN	62109-1
MATL. / FINISH	PART NO.

THIS DRAWING IS A CONTROLLED DOCUMENT.		DWN	JR RUTH	29JUL02	 TE Connectivity																	
DIMENSIONS: INCHES		CHK	P DESANTIS	29JUL02																		
TOLERANCES UNLESS OTHERWISE SPECIFIED:		APVD	P DESANTIS	29JUL02																		
<table border="1"> <tr><td>0 PLC</td><td>±</td><td>-</td></tr> <tr><td>1 PLC</td><td>±</td><td>-</td></tr> <tr><td>2 PLC</td><td>±</td><td>-</td></tr> <tr><td>3 PLC</td><td>±</td><td>.015</td></tr> <tr><td>4 PLC</td><td>±</td><td>-</td></tr> <tr><td>ANGLES</td><td>±</td><td>-</td></tr> </table>		0 PLC	±	-		1 PLC	±	-	2 PLC	±	-	3 PLC	±	.015	4 PLC	±	-	ANGLES	±	-	PRODUCT SPEC	NAME
0 PLC	±	-																				
1 PLC	±	-																				
2 PLC	±	-																				
3 PLC	±	.015																				
4 PLC	±	-																				
ANGLES	±	-																				
MATERIAL	SEE TABLE	FINISH	SEE TABLE	APPLICATION SPEC	114-2082																	
CUSTOMER DRAWING		WEIGHT	-	SIZE	A2																	
		SCALE	6:1	CAGE CODE	00779																	
		DRAWING NO	62109	RESTRICTED TO	-																	
		SHEET	1 of 1	REV	J																	