



Chipsmall Limited consists of a professional team with an average of over 10 year of expertise in the distribution of electronic components. Based in Hongkong, we have already established firm and mutual-benefit business relationships with customers from,Europe,America and south Asia,supplying obsolete and hard-to-find components to meet their specific needs.

With the principle of “Quality Parts,Customers Priority,Honest Operation,and Considerate Service”,our business mainly focus on the distribution of electronic components. Line cards we deal with include Microchip,ALPS,ROHM,Xilinx,Pulse,ON,Everlight and Freescale. Main products comprise IC,Modules,Potentiometer,IC Socket,Relay,Connector.Our parts cover such applications as commercial,industrial, and automotives areas.

We are looking forward to setting up business relationship with you and hope to provide you with the best service and solution. Let us make a better world for our industry!



## Contact us

Tel: +86-755-8981 8866 Fax: +86-755-8427 6832

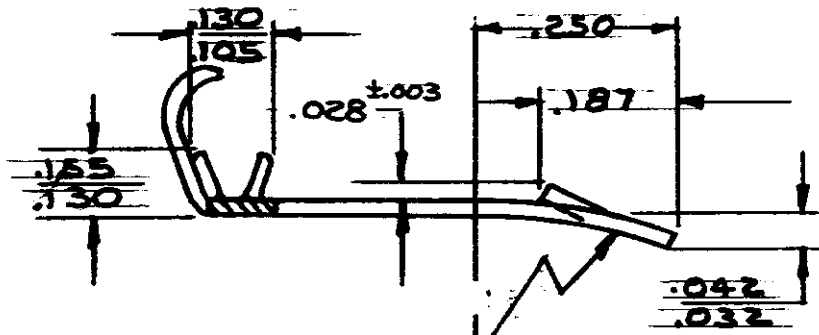
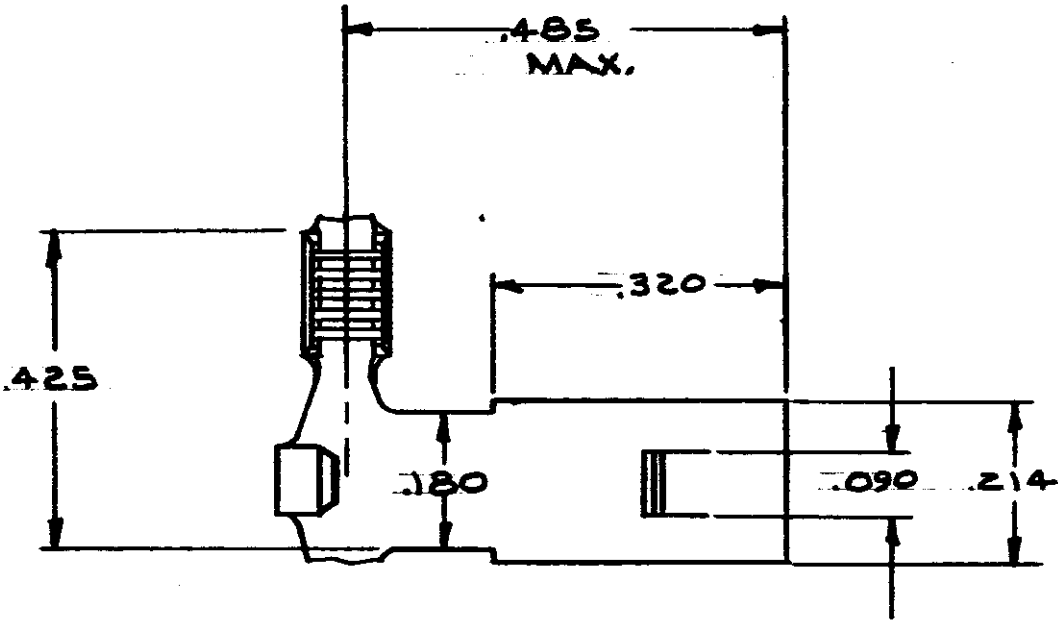
Email & Skype: info@chipsmall.com Web: www.chipsmall.com

Address: A1208, Overseas Decoration Building, #122 Zhenhua RD., Futian, Shenzhen, China



DRAWING MADE IN AMERICAN PROJECTION

NUMBER  
G2149



PART NUMBER	FINISH
G2149-1	NONE
<del>G2149-2</del>	<del>TIN</del>

1.000 ± REF

**CONTINUOUS STRIP ON REELS**

DIMENSIONS IN INCHES. DO NOT SCALE PRINT.

*Unpublished copy not to be used without written permission*

RESERVED ALL RIGHTS RESERVED AND/OR PATENTS COVERED BY PATENTS AND/OR PATENTS PENDING				<b>CUSTOMER COPY REFERENCE ONLY</b>	
MATERIAL AND FINISH				AMP INCORPORATED HARRISBURG, PENNA.	
OIB PHOS. BRONZE				CLASS <u>    </u>	
NONE				TYPE <u>    </u>	
WIRE RANGE INSULATION TYPE 100-2400 095-.115				LOG NO AF A G2149	
TOLERANCE EXCEPT AS NOTED ± .015		SCALE 1" = 1' 0"		REV E	
NAME AMPLIVAR BRUSH CONTACT					

REVISION RECORD	ECN	DATE
A REVISED LANCE HEIGHT A 2478	BB	8-7-73
B ADDED -2 TTI	SS	8-5-74
C REVISED STOCK A	SS	8-5-74
D RELEASED P.A.R.	PL	7-8-73
E OBSOLETE -2	AF	1676

CHK CHARLES FERNANDEZ	APP 2-9-73	DR Charles Fernand	DATE 4/13
--------------------------	---------------	-----------------------	--------------