



Chipsmall Limited consists of a professional team with an average of over 10 year of expertise in the distribution of electronic components. Based in Hongkong, we have already established firm and mutual-benefit business relationships with customers from,Europe,America and south Asia,supplying obsolete and hard-to-find components to meet their specific needs.

With the principle of "Quality Parts,Customers Priority,Honest Operation,and Considerate Service",our business mainly focus on the distribution of electronic components. Line cards we deal with include Microchip,ALPS,ROHM,Xilinx,Pulse,ON,Everlight and Freescale. Main products comprise IC,Modules,Potentiometer,IC Socket,Relay,Connector.Our parts cover such applications as commercial,industrial, and automotives areas.

We are looking forward to setting up business relationship with you and hope to provide you with the best service and solution. Let us make a better world for our industry!



## Contact us

Tel: +86-755-8981 8866 Fax: +86-755-8427 6832

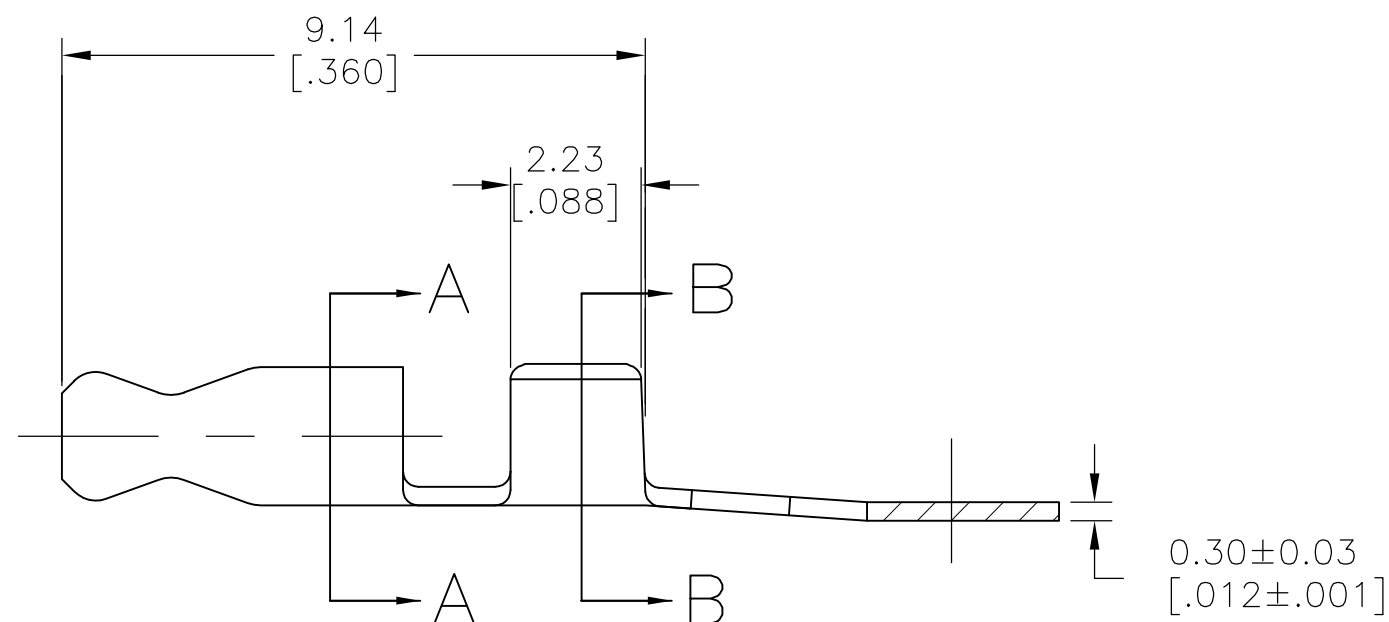
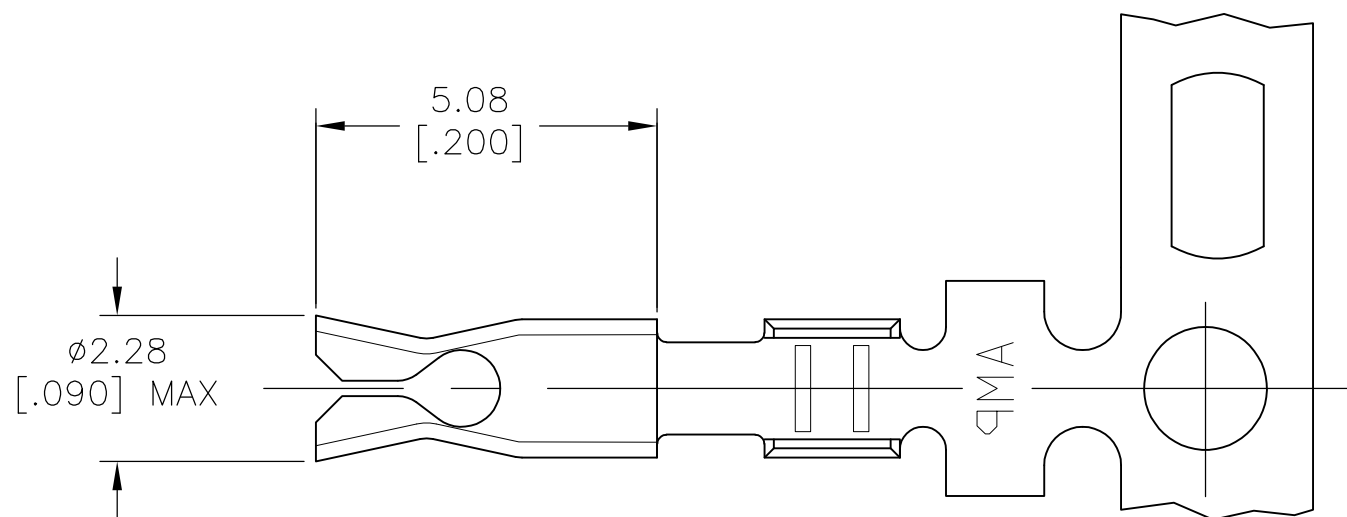
Email & Skype: info@chipsmall.com Web: www.chipsmall.com

Address: A1208, Overseas Decoration Building, #122 Zhenhua RD., Futian, Shenzhen, China

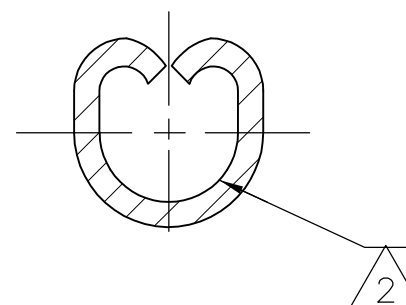


THIS DRAWING IS UNPUBLISHED. RELEASED FOR PUBLICATION  
 © COPYRIGHT - BY TYCO ELECTRONICS CORPORATION. ALL INTERNATIONAL RIGHTS RESERVED.

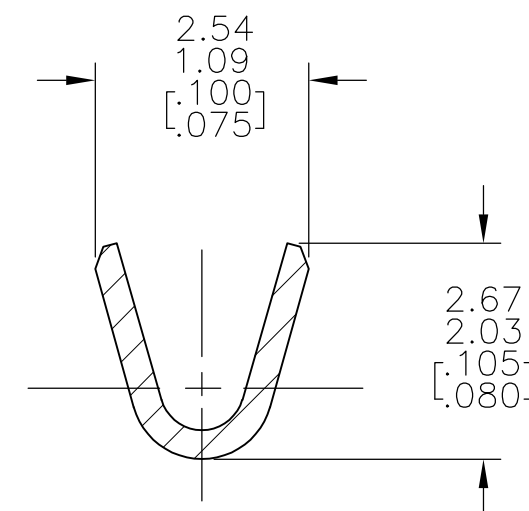
LOC	DIST	REVISIONS					
AF	50	P	LTR	DESCRIPTION	DATE	DWN	APVD
		J1		REVISED PER ECR-10-023424	19NOV10	HMR	GJ



- 1 CONTINUOUS STRIP ON REELS
- △ 2 F CRIMP TO STABILIZE PIN
- 3 WIRE BARREL ACCEPTS #24-#20 AWG [0.2-0.5mm<sup>2</sup>] STRANDED WIRE.
- 4 CONTACT ACCEPTS A 1.02[.040]±.025[.001] DIAMETER PIN.



SECTION A-A  
SCALE 10:1



SECTION B-B  
SCALE 10:1

WIRE BARREL CRIMP				
WIRE AWG	HEIGHT ±0.05[.002]	WIDTH	TYPE	STRIP LENGTH ±0.38[.015]
20	1.07[.042]			
22	0.99[.039]	1.78[.070]	F	3.30[.130]
24	0.91[.036]			

WIRE BBL DOWN	62160-3
WIRE BBL UP	62160-1
REELING	PART NO

THIS DRAWING IS A CONTROLLED DOCUMENT.		DWN 1/27/88 PHILLIP M FORTNEY	Tyco Electronics Corporation Harrisburg, PA 17105-3608	
DIMENSIONS: mm [INCHES]		CHK 2/17/88 MICHAEL S FEHER		
TOLERANCES UNLESS OTHERWISE SPECIFIED:		APVD 2/17/88 GARY YETTER	NAME PIN RECEPTACLE, 1.02[.040] DIA	
0 PLC ± - 1 PLC ± - 2 PLC ± 0.38[.015] 3 PLC ± - 4 PLC ± - ANGLES ± -		PRODUCT SPEC -	APPLICATION SPEC 114-2083	
MATERIAL T4 PHOS BRONZE		FINISH TIN PL	WEIGHT -	RESTRICTED TO -
CUSTOMER DRAWING			SIZE A3	CAGE CODE 00779
			DRAWING NO G-62160	SCALE 8:1
			SHEET 1 OF 1	REV J1