



Chipsmall Limited consists of a professional team with an average of over 10 year of expertise in the distribution of electronic components. Based in Hongkong, we have already established firm and mutual-benefit business relationships with customers from,Europe,America and south Asia,supplying obsolete and hard-to-find components to meet their specific needs.

With the principle of “Quality Parts,Customers Priority,Honest Operation,and Considerate Service”,our business mainly focus on the distribution of electronic components. Line cards we deal with include Microchip,ALPS,ROHM,Xilinx,Pulse,ON,Everlight and Freescale. Main products comprise IC,Modules,Potentiometer,IC Socket,Relay,Connector.Our parts cover such applications as commercial,industrial, and automotives areas.

We are looking forward to setting up business relationship with you and hope to provide you with the best service and solution. Let us make a better world for our industry!



Contact us

Tel: +86-755-8981 8866 Fax: +86-755-8427 6832

Email & Skype: info@chipsmall.com Web: www.chipsmall.com

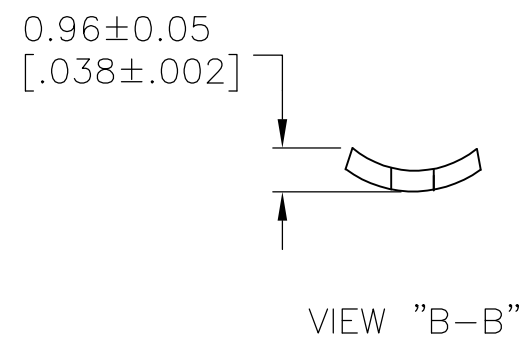
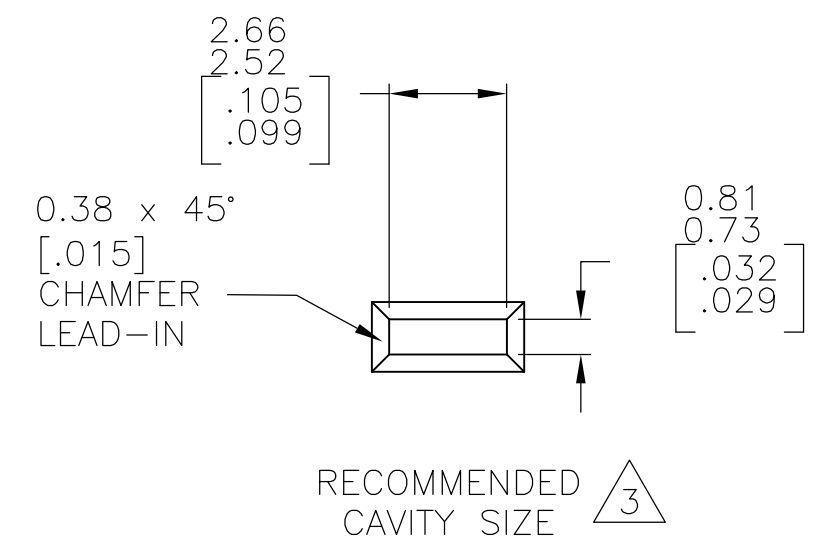
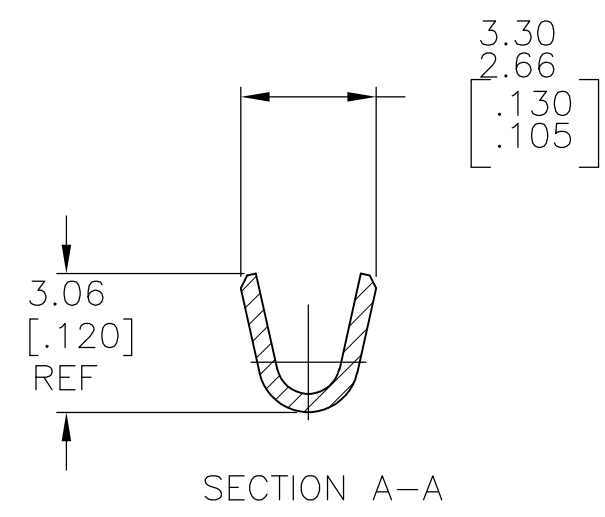
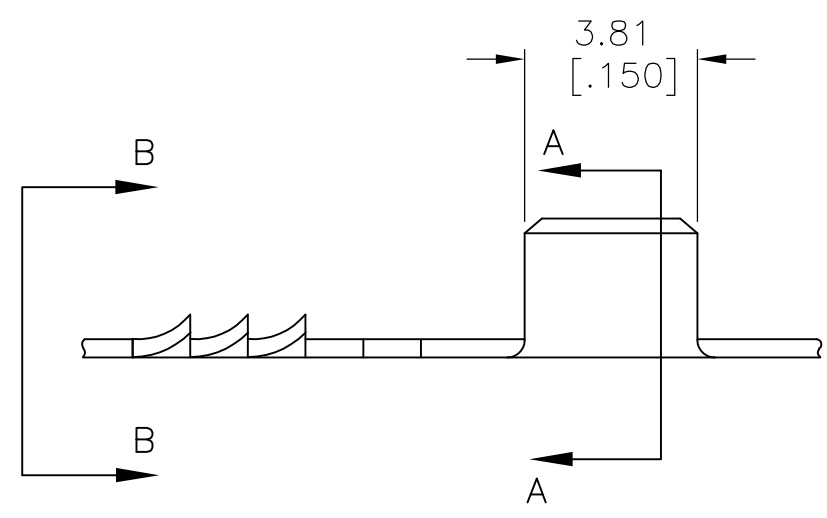
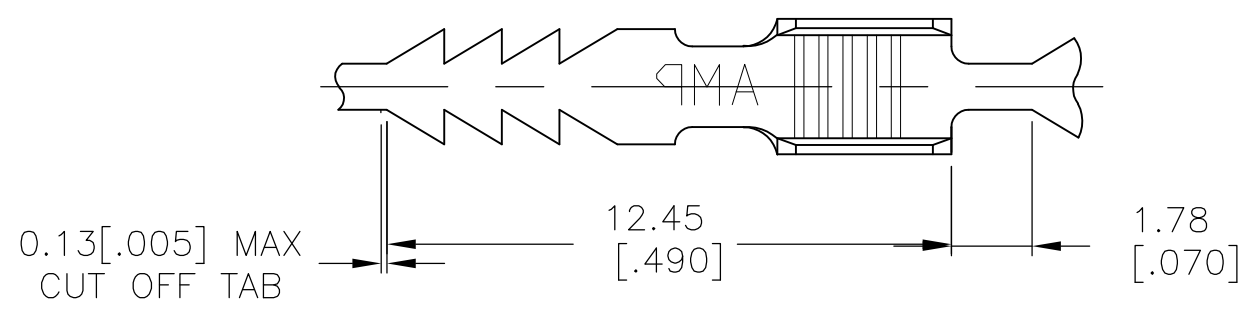
Address: A1208, Overseas Decoration Building, #122 Zhenhua RD., Futian, Shenzhen, China



THIS DRAWING IS UNPUBLISHED. RELEASED FOR PUBLICATION
 © COPYRIGHT - By - ALL RIGHTS RESERVED.

LOC	DIST	REVISIONS			
P	LTR	DESCRIPTION	DATE	DWN	APVD
AF	50				
	J2	REVISED PER ECR-15-007944	15JUL2015	GRZ	JL

- 1 PRODUCT PROVIDED IN STRIP FORM ON REELS; BREAKS MAY BE PRESENT.
- 2 1 # 18 AWG STANDARD WITH 1# 32-22 AWG MAGNET WIRE
- △3 CAVITY DEPTH: 5.08[.200]



	LARGE REEL SPLICE FREE	62192-3
OBSOLETE	REVERSE	62192-2
	STANDARD	62192-1
	REELING	PART NUMBER

THIS DRAWING IS A CONTROLLED DOCUMENT.		DWN RAGHAVENDRA 22JAN2008	STE TE Connectivity	
DIMENSIONS: mm [INCHES]		CHK G PORTA 22JAN2008		
TOLERANCES UNLESS OTHERWISE SPECIFIED:		APVD G PORTA 22JAN2008	NAME	
0 PLC ± -		PRODUCT SPEC	AMPLIVAR BOBBIN TAB	
1 PLC ± -		APPLICATION SPEC	SIZE	CAGE CODE
2 PLC ± 0.38 [.015]		WEIGHT -	A3	00779
3 PLC ± -		CUSTOMER DRAWING	DRAWING NO	C-62192
4 PLC ± -		SCALE 6:1	SHEET 1 OF 1	REV J2
ANGLES ± 1° 0'				
MATERIAL .016 BRASS	FINISH TIN			