



Chipsmall Limited consists of a professional team with an average of over 10 year of expertise in the distribution of electronic components. Based in Hongkong, we have already established firm and mutual-benefit business relationships with customers from,Europe,America and south Asia,supplying obsolete and hard-to-find components to meet their specific needs.

With the principle of “Quality Parts,Customers Priority,Honest Operation,and Considerate Service”,our business mainly focus on the distribution of electronic components. Line cards we deal with include Microchip,ALPS,ROHM,Xilinx,Pulse,ON,Everlight and Freescale. Main products comprise IC,Modules,Potentiometer,IC Socket,Relay,Connector.Our parts cover such applications as commercial,industrial, and automotives areas.

We are looking forward to setting up business relationship with you and hope to provide you with the best service and solution. Let us make a better world for our industry!



Contact us

Tel: +86-755-8981 8866 Fax: +86-755-8427 6832

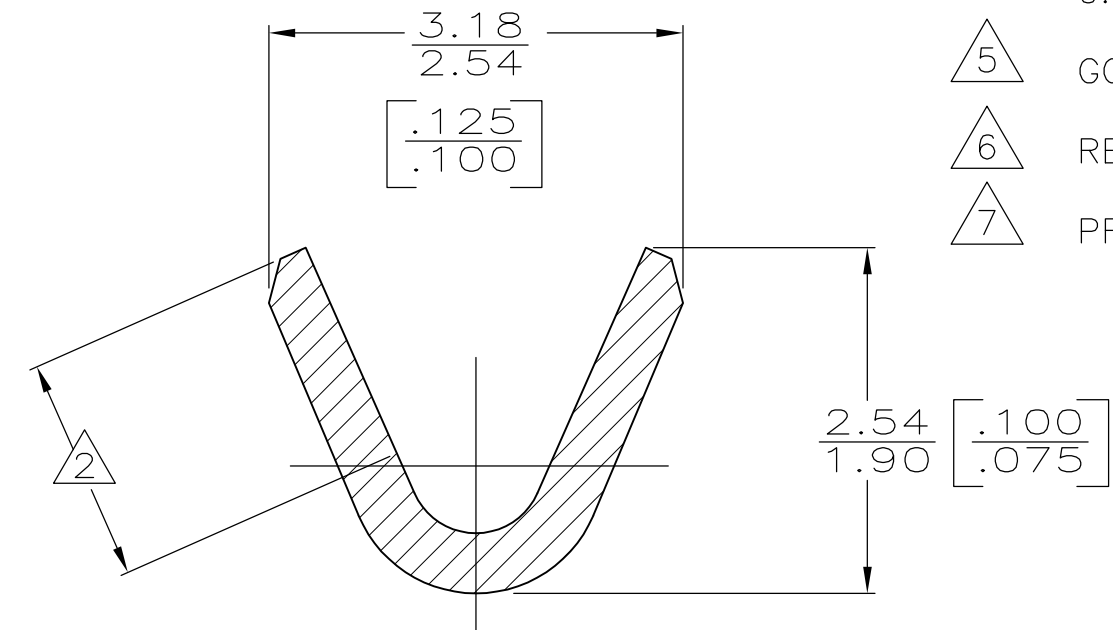
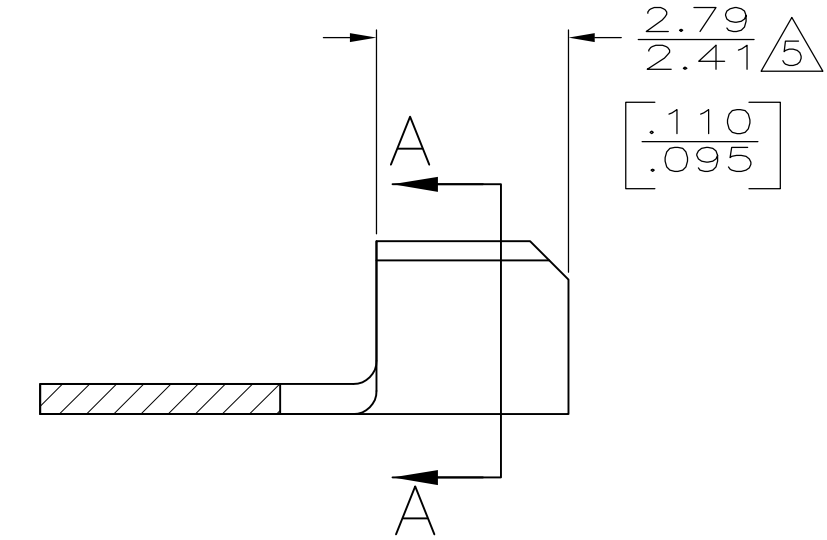
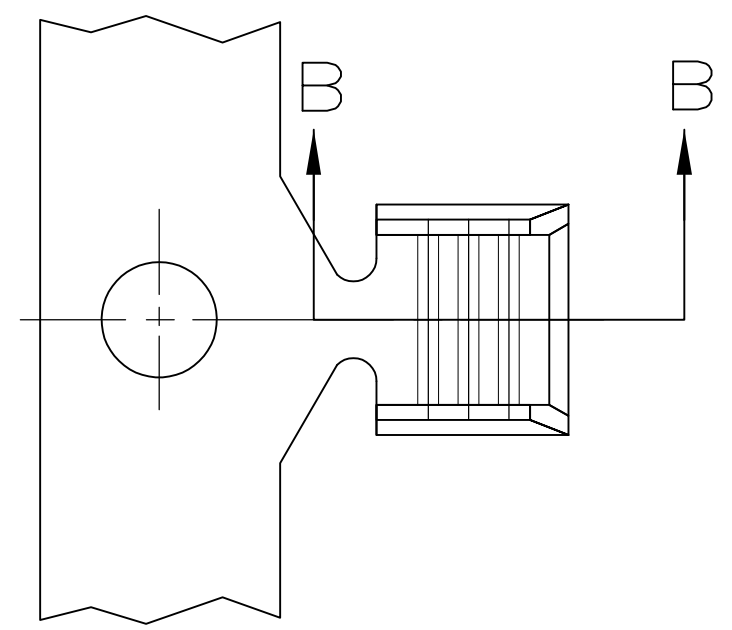
Email & Skype: info@chipsmall.com Web: www.chipsmall.com

Address: A1208, Overseas Decoration Building, #122 Zhenhua RD., Futian, Shenzhen, China

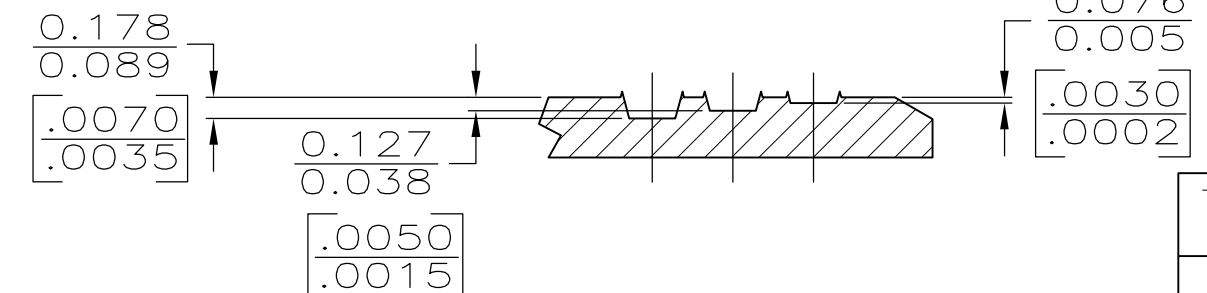


THIS DRAWING IS UNPUBLISHED. RELEASED FOR PUBLICATION
 © COPYRIGHT - By - ALL RIGHTS RESERVED.

LOC	DIST	REVISIONS					
AF	50	P	LTR	DESCRIPTION	DATE	DWN	APVD
		P3		REVISED PER ECR-11-009033	05MAY11	HMR	KR



SECTION A-A
SCALE 20:1



SECTION B-B
SCALE 20:1

- 1 CONTINUOUS STRIP ON REEL.
- $\triangle 2$ SERRATION DEPTH SHOULD BE MEASURED IN AN AREA FREE FROM FORMING.
- $\triangle 3$ 0.00254 [.000100] MIN TIN PLATE.
- $\triangle 4$ 0.0038 [.000015] MIN GOLD PLATE OVER 0.00127 [.000050] MIN NICKEL UNDERPLATE.
- $\triangle 5$ GOLD PLATE IS ON WIRE BARREL ONLY.
- $\triangle 6$ REELING: PLASTIC REELS.
- $\triangle 7$ PREPRODUCTION - FASR REQUIRED.

	$\triangle 3$	REVERSE		$\triangle 7$ 62194-6
	$\triangle 3$	STANDARD	$\triangle 6$	62194-5
	$\triangle 5$ $\triangle 4$	STANDARD		62194-4
OBSOLETE	$\triangle 3$	REVERSE		62194-3
	$\triangle 3$	STANDARD		62194-2
OBSOLETE				62194-1
		FINISH	REELING	WIRE RANGE
				PART NO

THIS DRAWING IS A CONTROLLED DOCUMENT.		DWN PHIL FORTNEY 7/27/93	STE TE Connectivity		
DIMENSIONS: INCHES		CHK MS FEHER 7/27/93			
TOLERANCES UNLESS OTHERWISE SPECIFIED:		APVD D SCHWENK 7/27/93	NAME		
0 PLC ± -		PRODUCT SPEC	SPLICE, AMPLIVAR™		
1 PLC ± -			MINIATURE		
2 PLC ± 0.25 [.010]		APPLICATION SPEC	SIZE	CAGE CODE	DRAWING NO
3 PLC ± -					RESTRICTED TO
4 PLC ± -					
ANGLES ± -		WEIGHT	A3 00779 C-62194		
MATERIAL 082 BRASS		FINISH SEE TABLE	CUSTOMER DRAWING	SCALE 10:1	SHEET 1 OF 1
				REV P3	