



Chipsmall Limited consists of a professional team with an average of over 10 year of expertise in the distribution of electronic components. Based in Hongkong, we have already established firm and mutual-benefit business relationships with customers from,Europe,America and south Asia,supplying obsolete and hard-to-find components to meet their specific needs.

With the principle of “Quality Parts,Customers Priority,Honest Operation,and Considerate Service”,our business mainly focus on the distribution of electronic components. Line cards we deal with include Microchip,ALPS,ROHM,Xilinx,Pulse,ON,Everlight and Freescale. Main products comprise IC,Modules,Potentiometer,IC Socket,Relay,Connector.Our parts cover such applications as commercial,industrial, and automotives areas.

We are looking forward to setting up business relationship with you and hope to provide you with the best service and solution. Let us make a better world for our industry!



## Contact us

Tel: +86-755-8981 8866 Fax: +86-755-8427 6832

Email & Skype: info@chipsmall.com Web: www.chipsmall.com

Address: A1208, Overseas Decoration Building, #122 Zhenhua RD., Futian, Shenzhen, China

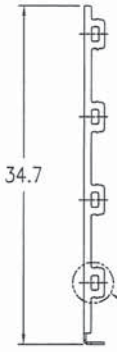
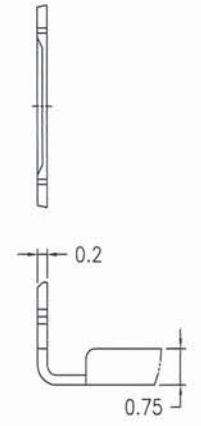
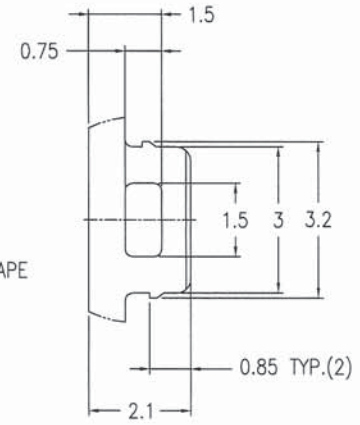
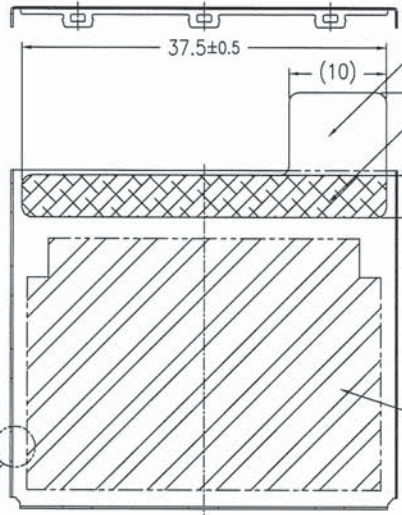
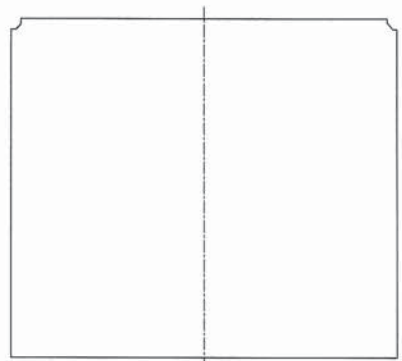


FCI CONFIDENTIAL



This document is the property of and embodies CONFIDENTIAL and PROPRIETARY information of FCI. No part of the information shown on this document may be used in any way or disclosed to others without the written consent of FCI. Copyright FCI.

PRODUCT NO.	RESIST
<del>62195-001</del>	<del>YES (STYLE 1)</del>
62195-002	NO
62195-003	YES (STYLE 2)



SEPARATE TAPE ONLY  
SEE NOTE 2  
ADHESIVE WITH SEPARATE TAPE

SEE NOTE 3 AND TABLE  
RESIST

- NOTE  
 1. MATERIAL : SUS304 CSP 1/2H, t=0.2mm  
 2. ADHESIVE TAPE MAT'L : UL746C, t=0.05mm (NOT INCLUDE SEPARATE TAPE)  
 LIFE : 6 MONTHS AFTER MFG. LOT NO.  
 3. RESIST : PRINTED MATTER, GREEN, t=0.02mm  
 4. STORAGE TEMPERATURE : -20~60°C

mat'l. code				surface	tolerance	projection	product family	CODE
SEE_NOTE				ISO 1302	ISO 406	ISO 1101	5BOF - CARD SHIELDS	JP
1	SKETCHED		HS	1/26/98	tolerances unless otherwise specified	0.X	COMPACT FLASH UPPER COVER	sheet 1 of 2 size
2	REVISED		HS	4/21/98	angles linear	0.XX ±0.3		
A	RELEASED	J80211	HS	5/ 8/98	0'±2'	0.XXX	scale 2:1	
B	REVISED	J80319	HS	8/18/98	dr	R. Shoji	1/29/01	
C	REVISED	J00645	YK	8/ 1/00	enr	R. Shoji	4/21/01	
D	REVISED	J07-0045	RS	1/25/07	chr	H. Shoji	1/20/07	
					appd	S. Anderson	1/20/07	
sheet index	revision sheet	D	C					
		1	2					

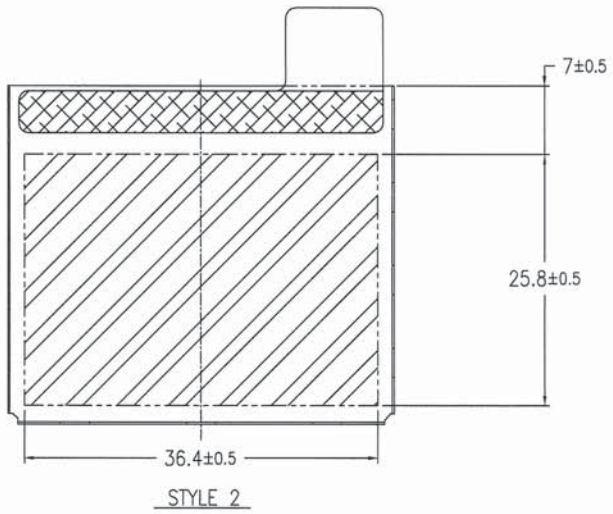
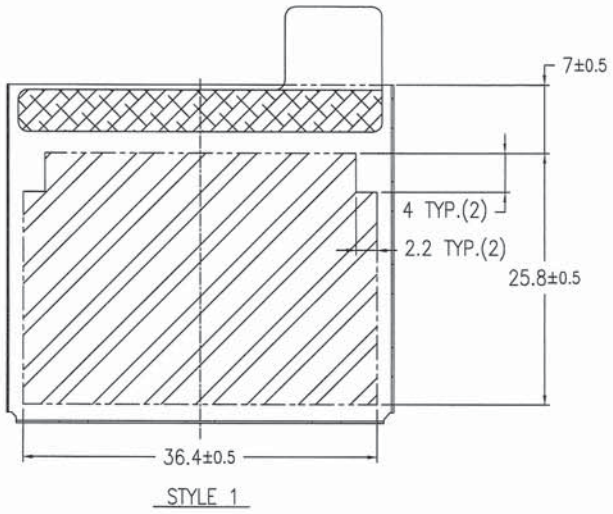


FCI CONFIDENTIAL



This document is the property of and embodies CONFIDENTIAL and PROPRIETARY information of FCI. No part of the information shown on this document may be used in any way or disclosed to others without the written consent of FCI. Copyright FCI.

PRODUCT NO.	RESIST
<del>62195-001</del>	<del>YES (STYLE 1)</del>
62195-002	NO
62195-003	YES (STYLE 2)



mat'l. code SEE NOTE				surface ISO 1302	tolerance ISO 406 ISO 1101	projection 	product family 5B0F - CARD SHIELDS	CODE JP
ltr	description	ecn no	dr	date	tolerances unless otherwise specified	mm ← → scale 2:1	title COMPACT FLASH UPPER COVER	
A	REVISED	J80319	HS	8/18/98	0.X			
B	REVISED	J00645	YK	8/1/00	0.XX ±0.3			
C	REVISED	J07-0045	RS	1/25/07	0'±2'	0.XXX	dwg no sheet 2 of 2 size	
sheet index				revision sheet	dr R. Shouji 1/29/07		62195 A3	
				enr R. Shouji 1/29/07	type Product Customer Drawing			
				chr M. Shouji 1/30/07	Rev.			
				appd J. Anderson 1/30/07	C			