



Chipsmall Limited consists of a professional team with an average of over 10 year of expertise in the distribution of electronic components. Based in Hongkong, we have already established firm and mutual-benefit business relationships with customers from,Europe,America and south Asia,supplying obsolete and hard-to-find components to meet their specific needs.

With the principle of “Quality Parts,Customers Priority,Honest Operation,and Considerate Service”,our business mainly focus on the distribution of electronic components. Line cards we deal with include Microchip,ALPS,ROHM,Xilinx,Pulse,ON,Everlight and Freescale. Main products comprise IC,Modules,Potentiometer,IC Socket,Relay,Connector.Our parts cover such applications as commercial,industrial, and automotives areas.

We are looking forward to setting up business relationship with you and hope to provide you with the best service and solution. Let us make a better world for our industry!



Contact us

Tel: +86-755-8981 8866 Fax: +86-755-8427 6832

Email & Skype: info@chipsmall.com Web: www.chipsmall.com

Address: A1208, Overseas Decoration Building, #122 Zhenhua RD., Futian, Shenzhen, China



FCI CONFIDENTIAL

FCI
FCIconnect.com
This document is the property of and embodies CONFIDENTIAL and PROPRIETARY information of FCI. No part of the information shown on this document may be used in any way or disclosed to others without the written consent of FCI.
Copyright FCI

PRODUCT NO.	RESIST	FRAME COLOR
62197-001	YES (STYLE 1)	BLACK
62197-011	YES (STYLE 1)	PASTEL TURQUOISE
62197-003	YES (STYLE 2)	BLACK

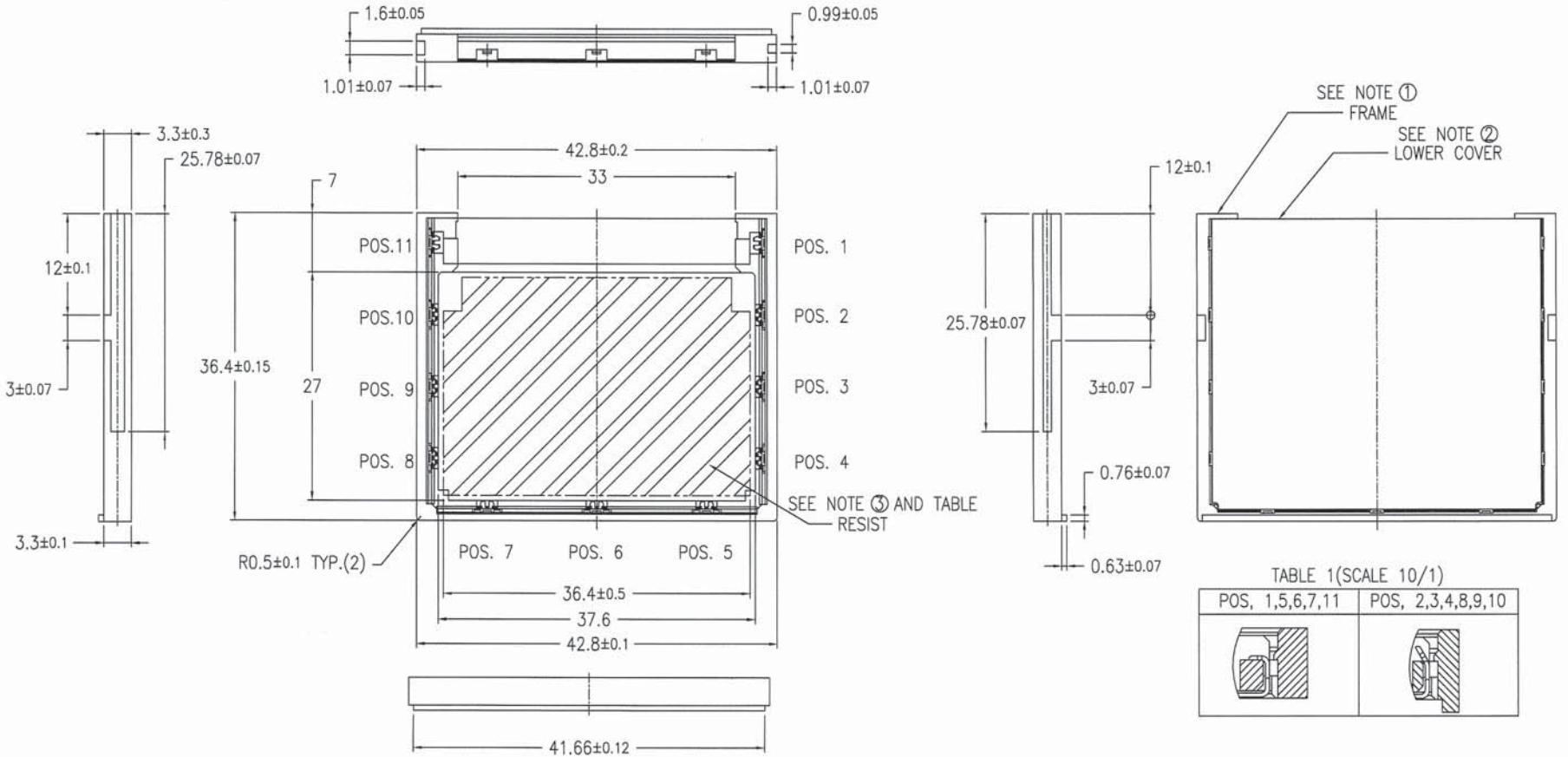


TABLE 1(SCALE 10/1)

POS, 1,5,6,7,11	POS, 2,3,4,8,9,10

NOTE
 ① FRAME MAT'L : PBT G 30%, UL 94V-0
 ② LOWER COVER MAT'L : SUS304 CPS 1/2H, t=0.2mm
 ③ RESIST : PRINTED MATTER, GREEN, t=0.02mm
 4. STORAGE TEMPERATURE : -20~60°C
 5. COVER SHALL BE MATED WITH FRAME AS SHOWN IN TABLE 1.

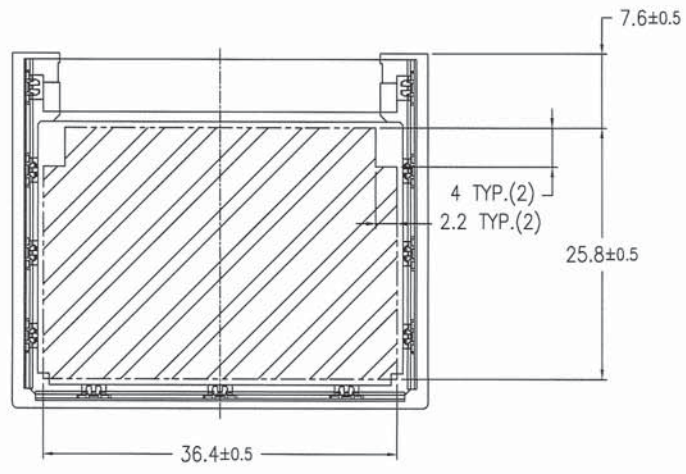
mat'l. code		surface		tolerance		projection		product family		CODE	
SEE_NOTE		ISO 1302		ISO 406		ISO 1101		5B0F - CARD SHIELDS		JP	
ltr	description	ecn no	dr	date	tolerances unless otherwise specified	mm	mm	title	dwg no	sheet 1 of 2	size
1	SKETCHED		HS	12/22/97	0.X	0.X	0.X	COMPACT FLASH SEMI-ASSY			
2	REVISED		HS	4/14/98	0.XX ±0.3	0.XX	±0.3				
A	RELEASED	J80211	HS	5/ 8/98	0'±2'	0.XXX	0.XXX				
B	REVISED	J80319	HS	8/18/98	dr	2 Show	1/29/99				
C	REVISED	J00645	HS	8/ 1/00	enr	2 Show	1/29/00				
D	ADDED NEW P/N	J20634	HS	12/ 9/02	chr	1/29/02	1/29/02				
E	REVISED	J07-0045	RS	1/25/07	app	S. O. Alan	1/26/07				
sheet	revision	E	D								
index	sheet	1	2								

FCI CONFIDENTIAL

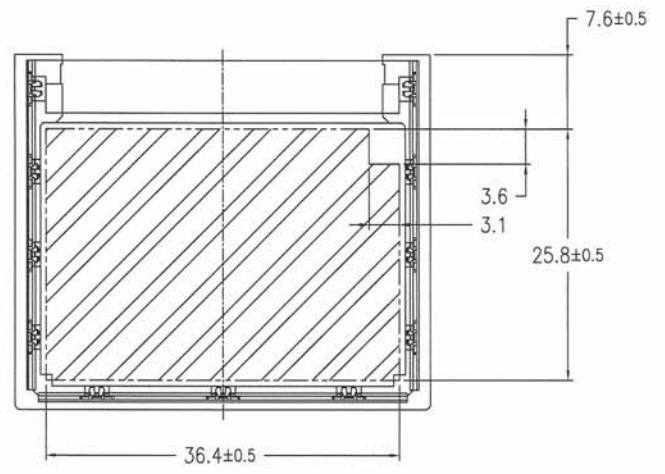


This document is the property of and embodies CONFIDENTIAL and PROPRIETARY information of FCI. No part of the information shown hereon may be used, copied, or disclosed to others without the written consent of FCI. Copyright FCI.

PRODUCT NO.	RESIST	FRAME COLOR
62197-001	YES (STYLE 1)	BLACK
62197-011	YES (STYLE 1)	PASTEL TURQUOISE
62197-003	YES (STYLE 2)	BLACK



STYLE 1



STYLE 2

mat'l. code SEE_NOTE				surface ISO 1302	tolerance ISO 406 ISO 1101	projection 	product family 580F - CARD SHIELDS	CODE JP
ltr	description	ecn no	dr	date	tolerances unless otherwise specified	mm	title COMPACT FLASH SEMI-ASSY	
A	REVISED	J80319	HS	8/18/98	0.X	scale 2:1	dwg no	
B	REVISED	J00645	HS	8/1/00	linear 0.XX ±0.3		sheet 2 of 2 size	
C	ADDED NEW P/N	J20634	HS	12/9/02	0.XXX	62197		A3
D	REVISED	J07-0045	RS	1/25/07		type		Product Customer Drawing
sheet index	revision sheet							Rev. D