



Chipsmall Limited consists of a professional team with an average of over 10 year of expertise in the distribution of electronic components. Based in Hongkong, we have already established firm and mutual-benefit business relationships with customers from,Europe,America and south Asia,supplying obsolete and hard-to-find components to meet their specific needs.

With the principle of "Quality Parts,Customers Priority,Honest Operation,and Considerate Service",our business mainly focus on the distribution of electronic components. Line cards we deal with include Microchip,ALPS,ROHM,Xilinx,Pulse,ON,Everlight and Freescale. Main products comprise IC,Modules,Potentiometer,IC Socket,Relay,Connector.Our parts cover such applications as commercial,industrial, and automotives areas.

We are looking forward to setting up business relationship with you and hope to provide you with the best service and solution. Let us make a better world for our industry!



## Contact us

Tel: +86-755-8981 8866 Fax: +86-755-8427 6832

Email & Skype: info@chipsmall.com Web: www.chipsmall.com

Address: A1208, Overseas Decoration Building, #122 Zhenhua RD., Futian, Shenzhen, China





# SERIES 621/622



## Example Part Number 621 - 025 - 560 - 0 1 3

Series \_\_\_\_\_  
 Total Number of Contacts \_\_\_\_\_  
 Contact/Plating Code \_\_\_\_\_  
 Material Code \_\_\_\_\_  
 Grounding Feature \_\_\_\_\_  
 Mounting Option \_\_\_\_\_

**Series**  
 621 \_\_\_\_\_ Plug  
 622 \_\_\_\_\_ Receptacle

**Total Contacts**  
 009, 015, 025, 037.....50 (machined pin only)

**Contact/Plating Code**  
 260 \_\_\_\_\_ Gold Flash (Class 3)  
 560 \_\_\_\_\_ 10u" (0.25um) (Class 2)  
 660 \_\_\_\_\_ 30u" (0.76um) (Class 1)  
 668 \_\_\_\_\_ Ferrite Filter

**Material Code**  
 0 \_\_\_\_\_ Indicates generic internal use code

**Grounding Feature**  
 1 \_\_\_\_\_ .120" (3.05mm) dia. through hole top ground  
 3 \_\_\_\_\_ Two-prong boardlocks for .120" (3.05mm) dia. PCB hole  
 4 \_\_\_\_\_ Four-prong boardlocks for .120" (3.05mm) dia. PCB hole

**Mounting Option**  
 0 \_\_\_\_\_ #4-40 UNC fixed standoff  
 1 \_\_\_\_\_ .125" (3.18mm) dia. through-hole  
 2 \_\_\_\_\_ #4-40 UNC threaded insert  
 3 \_\_\_\_\_ #4-40 UNC threaded standoff  
 5 \_\_\_\_\_ #4-40 UNC threaded standoff & lock washer

## FEATURES

Two contact rows with .318" (8.08mm) footprint right-angle bend.

.109" (2.77mm) contact spacing x .112" (2.82mm) row spacing

Plug and receptacle in 9-, 15-, 25- or 37- pin contact sizes  
 Pin and socket contact mating design with PC tail termination

Metal shell provides EMI/RFI shielding, Plug Shell indents provide grounding and additional mating retention

Grounding features include top or bottom ground plates and four-prong boardlock for superior retention to PC Board

Mounting options for panel mount or connector mating include through hole, threaded inserts and threaded standoffs

D-shaped connector mating outline provides polarization  
 Design based on requirements of MIL-C-24308, EIA RS-232 and RS-449

## SPECIFICATIONS

Insulator Material: Thermoplastic polyester UL 94V-0; chemical resistant; colour - black

Ferrite Specifications: Attenuation - 20db MIN @ 30Mhz, 30dB MIN @ 50MHz, and 50dB @ 100Mhz

Contact Material: Plug contacts- brass  
 Receptacle contacts - phosphor bronze

Contact Plating: Gold (see Ordering Code) over nickel for the mating area; tin plating on contact tails

Shell Material: Nickel-plated steel

Current Rating: 5 amperes

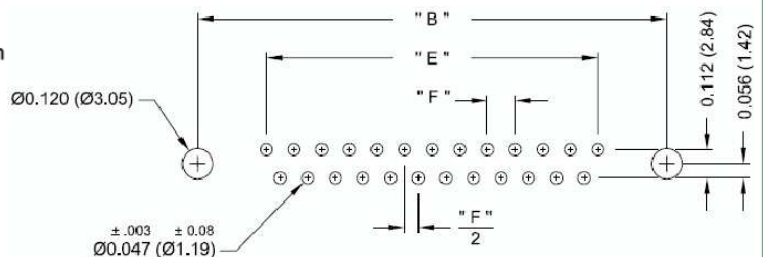
Contact Resistance: 10 milliohms maximum

Dielectric Withstanding Voltage: 1000 V AC rms @ sea level

Insulation Resistance: 5000 megohm minimum

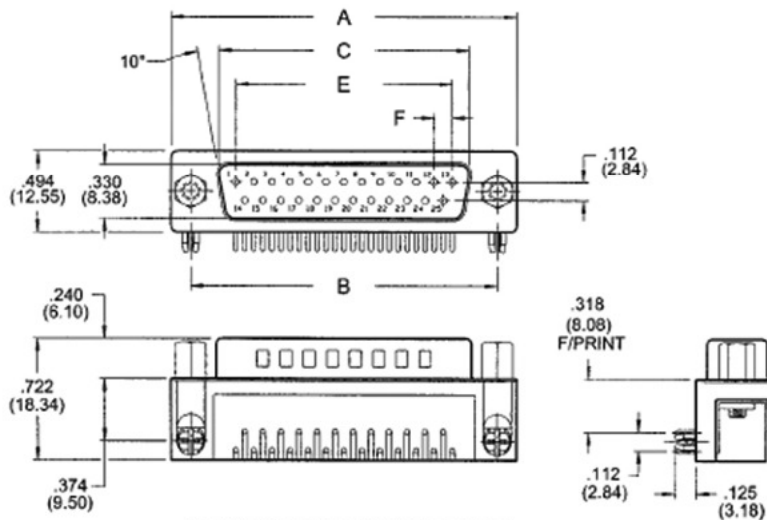
Operating Temperature: -55 to + 105 degrees C

Engagement and Separation Force: 1 to 10 oz (0.28 to 2.78 N) per contact position

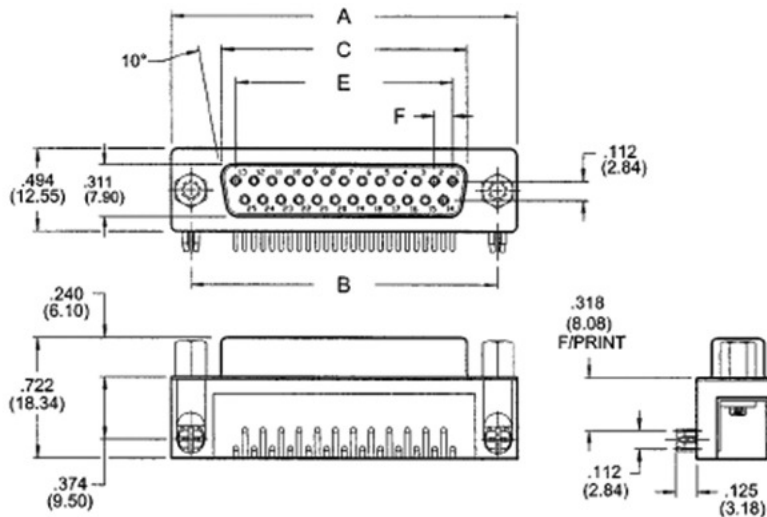


RECOMMENDED BOARD HOLE PATTERN





RECEPTACLE 622 SERIES



NUMBER OF CONTACTS	A		B		C PLUG		C RECEPTACLE		E		F	
	Inch	(mm)	Inch	(mm)	Inch	(mm)	Inch	(mm)	Inch	(mm)	Inch	(mm)
9	1.214	(30.84)	.984	(24.99)	.667	(16.92)	.640	(16.26)	.432	(10.97)	.108	(2.74)
15	1.545	(39.24)	1.312	(33.32)	.994	(25.25)	.967	(24.56)	.756	(19.20)	.108	(2.74)
25	2.088	(53.04)	1.852	(47.04)	1.534	(38.96)	1.508	(38.30)	1.304	(33.12)	.109	(2.76)
37	2.730	(69.34)	2.500	(63.50)	2.182	(53.08)	2.156	(54.76)	1.956	(49.68)	.109	(2.76)