



Chipsmall Limited consists of a professional team with an average of over 10 year of expertise in the distribution of electronic components. Based in Hongkong, we have already established firm and mutual-benefit business relationships with customers from,Europe,America and south Asia,supplying obsolete and hard-to-find components to meet their specific needs.

With the principle of “Quality Parts,Customers Priority,Honest Operation,and Considerate Service”,our business mainly focus on the distribution of electronic components. Line cards we deal with include Microchip,ALPS,ROHM,Xilinx,Pulse,ON,Everlight and Freescale. Main products comprise IC,Modules,Potentiometer,IC Socket,Relay,Connector.Our parts cover such applications as commercial,industrial, and automotives areas.

We are looking forward to setting up business relationship with you and hope to provide you with the best service and solution. Let us make a better world for our industry!



Contact us

Tel: +86-755-8981 8866 Fax: +86-755-8427 6832

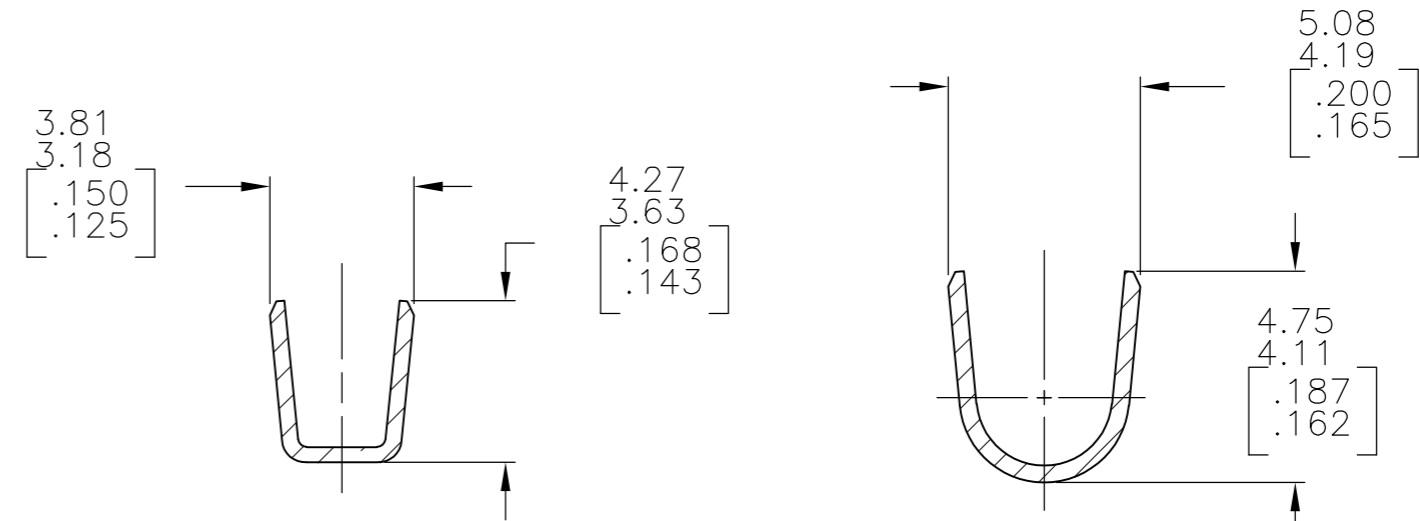
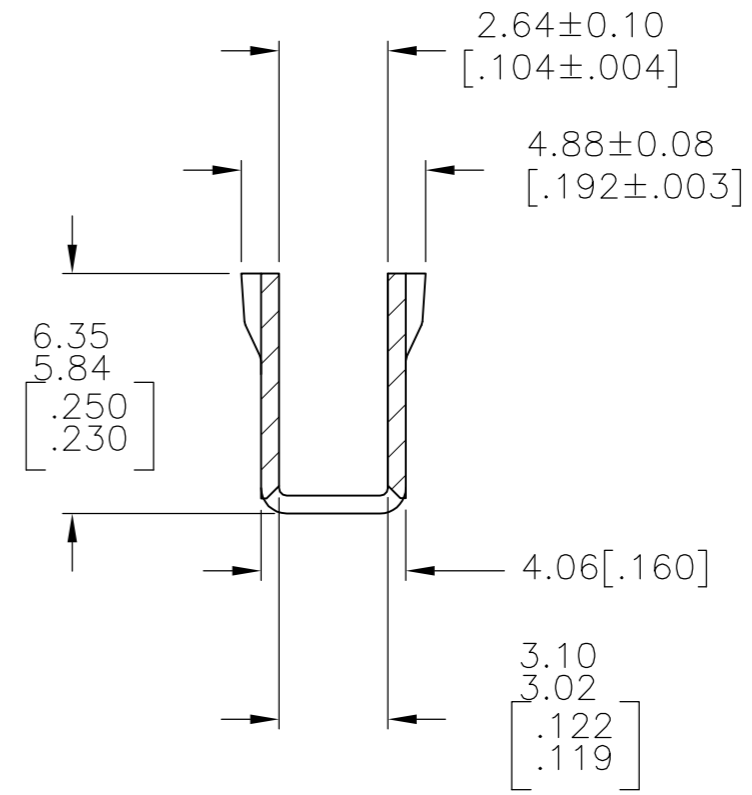
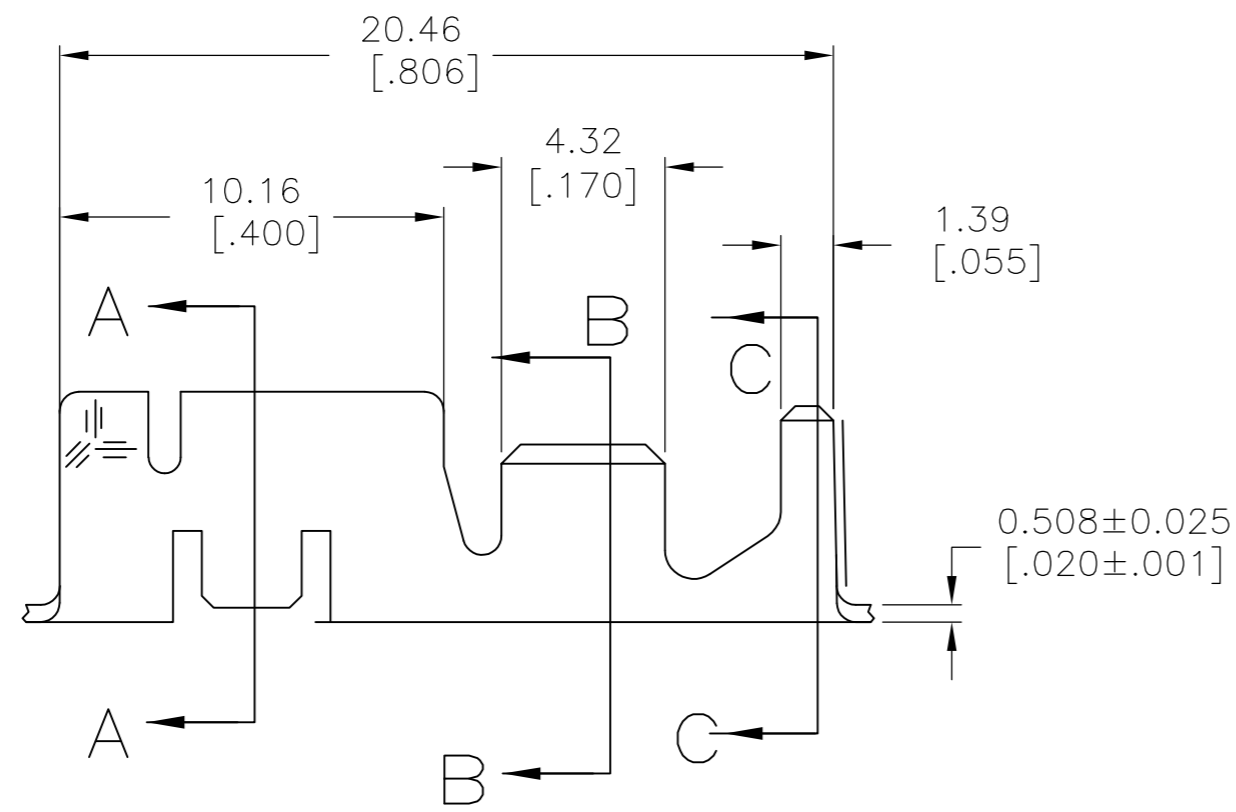
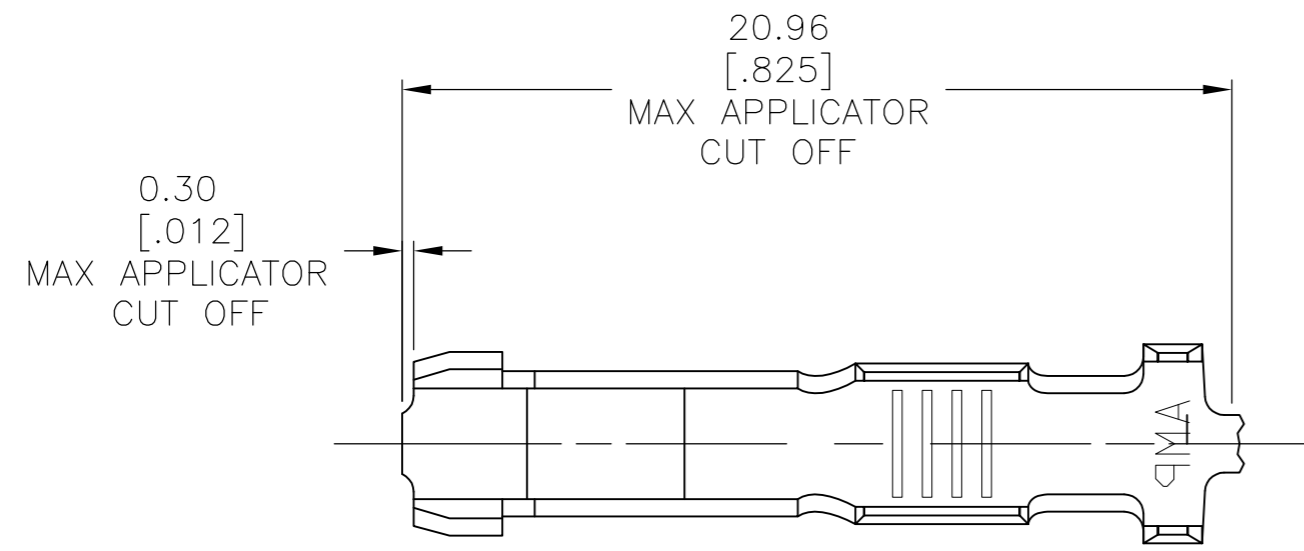
Email & Skype: info@chipsmall.com Web: www.chipsmall.com

Address: A1208, Overseas Decoration Building, #122 Zhenhua RD., Futian, Shenzhen, China



THIS DRAWING IS UNPUBLISHED. RELEASED FOR PUBLICATION
 © COPYRIGHT - By - ALL RIGHTS RESERVED.

LOC		DIST		REVISIONS			
P	LTR	DESCRIPTION		DATE	DWN	APVD	
AF	50	AB	REVISED PER ECR-12-016352	17NOV12	KH	GJ	



1 CONTINUOUS STRIP ON REELS WITH TERMINALS LOCATED ON 22.61[.890] CENTERS

2 SPECIAL PACKAGING

3 PREPRODUCTION - FASR REQUIRED.

	FINISH	INSULATION BARREL DIA	WIRE BARREL RANGE	PART NO
OBSOLETE	TIN PLATE	3.30[.130] MAX	0.75-1.5mm ² [#18-#16]AWG	2 62244-6
	-	3.30[.130] MAX	0.75-1.5mm ² [#18-#16]AWG	3 62244-5
	TIN PLATE	3.30[.130] MAX	0.75-1.5mm ² [#18-#16]AWG	62244-3
	-	-	-	-
	-	-	-	-

TYPE	WIDTH	STRIP LENGTH ±0.38 [±.015]	TYPE	WIDTH	±0.051±[.002] HEIGHT	WIRE
F OR O	3.94 [.155]	6.22 [.245]	F	2.79 [.110]	2.01 [.079]	1.5mm ² [16]
					1.85 [.073]	.75mm ² [18]
INSUL BARREL CRIMP			WIRE BARREL CRIMP			

THIS DRAWING IS A CONTROLLED DOCUMENT.

DIMENSIONS: mm [INCHES]	TOLERANCES UNLESS OTHERWISE SPECIFIED:	DWN DK SCHRUM 2/20/90	 TE Connectivity
	0 PLC ± -	CHK MS FEHER 2/22/90	
	1 PLC ± -	APVD T L SHUTTER 3/5/90	
	2 PLC ± -	PRODUCT SPEC 108-2008	
	3 PLC ± 0.38 [.015]	APPLICATION SPEC 114-2019	NAME RECEPTACLE, CLUSTER PIN, 3.18[.125] DIA
	4 PLC ± -	WEIGHT -	SIZE A2
	ANGLES ± -	CUSTOMER DRAWING	CAGE CODE 00779
MATERIAL H03 TIN-BRASS	FINISH SEE TABLE	SCALE 5:1	DRAWING NO C=62244
		SHEET 1 of 1	RESTRICTED TO -
		REV AB	