



Chipsmall Limited consists of a professional team with an average of over 10 year of expertise in the distribution of electronic components. Based in Hongkong, we have already established firm and mutual-benefit business relationships with customers from,Europe,America and south Asia,supplying obsolete and hard-to-find components to meet their specific needs.

With the principle of “Quality Parts,Customers Priority,Honest Operation,and Considerate Service”,our business mainly focus on the distribution of electronic components. Line cards we deal with include Microchip,ALPS,ROHM,Xilinx,Pulse,ON,Everlight and Freescale. Main products comprise IC,Modules,Potentiometer,IC Socket,Relay,Connector.Our parts cover such applications as commercial,industrial, and automotives areas.

We are looking forward to setting up business relationship with you and hope to provide you with the best service and solution. Let us make a better world for our industry!



Contact us

Tel: +86-755-8981 8866 Fax: +86-755-8427 6832

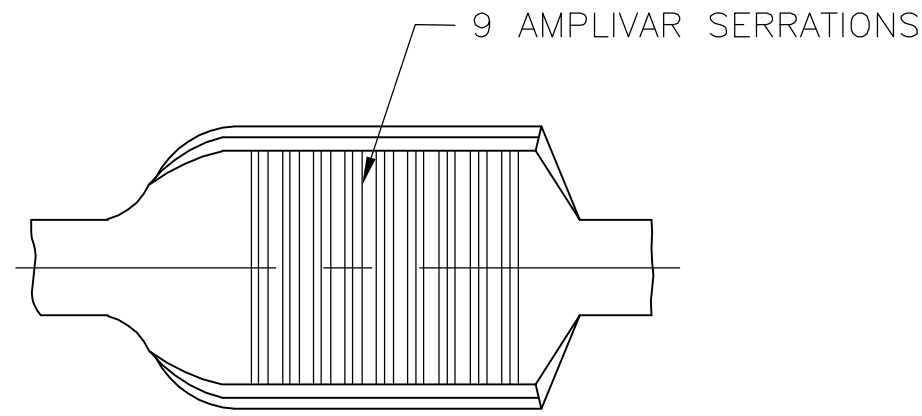
Email & Skype: info@chipsmall.com Web: www.chipsmall.com

Address: A1208, Overseas Decoration Building, #122 Zhenhua RD., Futian, Shenzhen, China

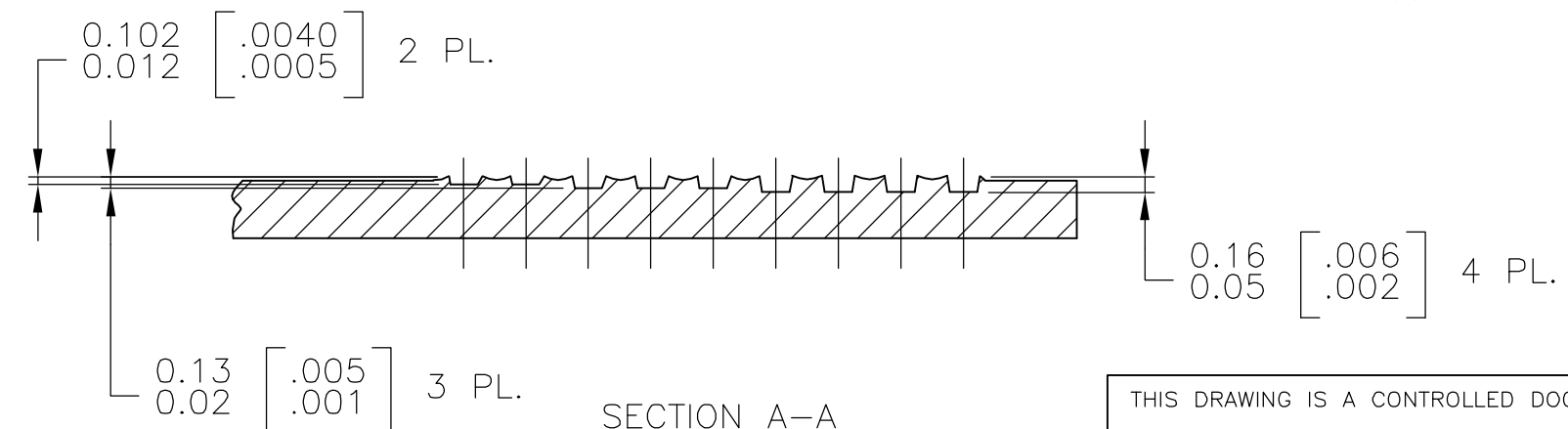
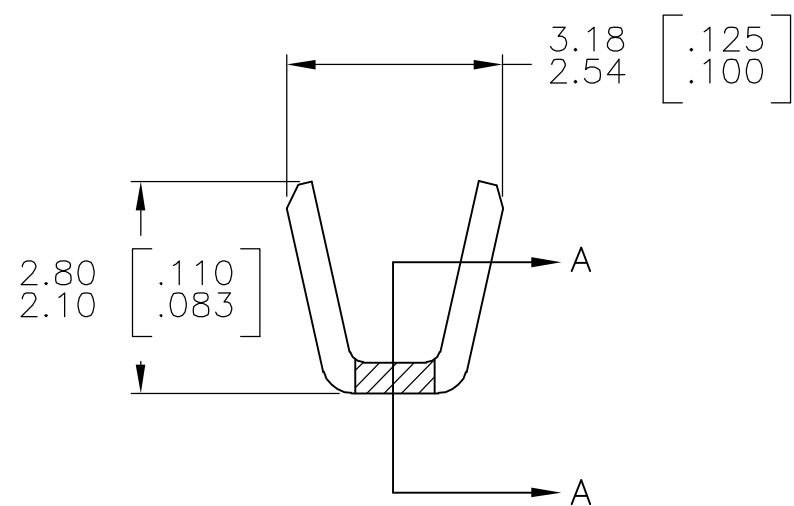
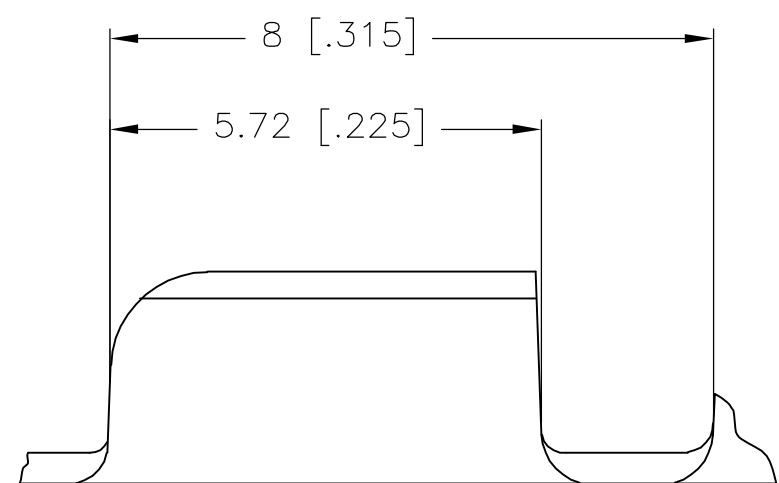


THIS DRAWING IS UNPUBLISHED. RELEASED FOR PUBLICATION
 © COPYRIGHT BY TYCO ELECTRONICS CORPORATION. ALL RIGHTS RESERVED.

LOC	DIST	REVISIONS					
AF	50	P	LTR	DESCRIPTION	DATE	DWN	APVD
			E1	ECR-06-003925 (REDRAWN IN AUTOCAD)	31JAN06	HMR	GDP



1. PRODUCT PROVIDED IN STRIP FORM ON REELS; BREAKS MAY BE PRESENT.
2. DIMENSIONS IN BRACKETS ARE IN INCHES.
3. CRIMP WIDTH: .080 F (AMPLIVAR TYPE)
 CRIMP HEIGHT $(\pm .002) = (\text{TOTAL CMA} + 5320) / 139,200$
 GENERAL APPLICATION GUIDELINES MUST BE FOLLOWED AS SPECIFIED IN CATALOG #82221
 FOR APPLICATOR INFORMATION CALL: 1-800-722-1111
 FOR PRODUCT INFORMATION CALL: 1-800-522-6752



SECTION A-A
 SCALE 20:1

METRIC

62303-2
 PART NO

THIS DRAWING IS A CONTROLLED DOCUMENT.		DWN	RAGHAVENDRA	31JAN06	tyco Tyco Electronics Corporation		
DIMENSIONS: mm [INCHES]		CHK	G.D.PORTA	-	Harrisburg, PA 17105-3608		
TOLERANCES UNLESS OTHERWISE SPECIFIED:		APVD	G.D.PORTA	-	NAME		
0 PLC ± -		PRODUCT SPEC	-	SPLICE, AMPLIVAR			
1 PLC ± -		APPLICATION SPEC	-	400 TO 1500 CMA			
2 PLC ± -		114-2003	-	SIZE	CAGE CODE	DRAWING NO	RESTRICTED TO
3 PLC ± 0.38 [.015]		WEIGHT	-	A3	00779	C-62303	-
4 PLC ± -		CUSTOMER DRAWING		SCALE	10:1	SHEET	1 OF 1
ANGLES ± 1°		MATERIAL		REV		E1	
FINISH		0.41 [.016] BRASS		TIN PL.			