



Chipsmall Limited consists of a professional team with an average of over 10 year of expertise in the distribution of electronic components. Based in Hongkong, we have already established firm and mutual-benefit business relationships with customers from,Europe,America and south Asia,supplying obsolete and hard-to-find components to meet their specific needs.

With the principle of “Quality Parts,Customers Priority,Honest Operation,and Considerate Service”,our business mainly focus on the distribution of electronic components. Line cards we deal with include Microchip,ALPS,ROHM,Xilinx,Pulse,ON,Everlight and Freescale. Main products comprise IC,Modules,Potentiometer,IC Socket,Relay,Connector.Our parts cover such applications as commercial,industrial, and automotives areas.

We are looking forward to setting up business relationship with you and hope to provide you with the best service and solution. Let us make a better world for our industry!



## Contact us

Tel: +86-755-8981 8866 Fax: +86-755-8427 6832

Email & Skype: info@chipsmall.com Web: www.chipsmall.com

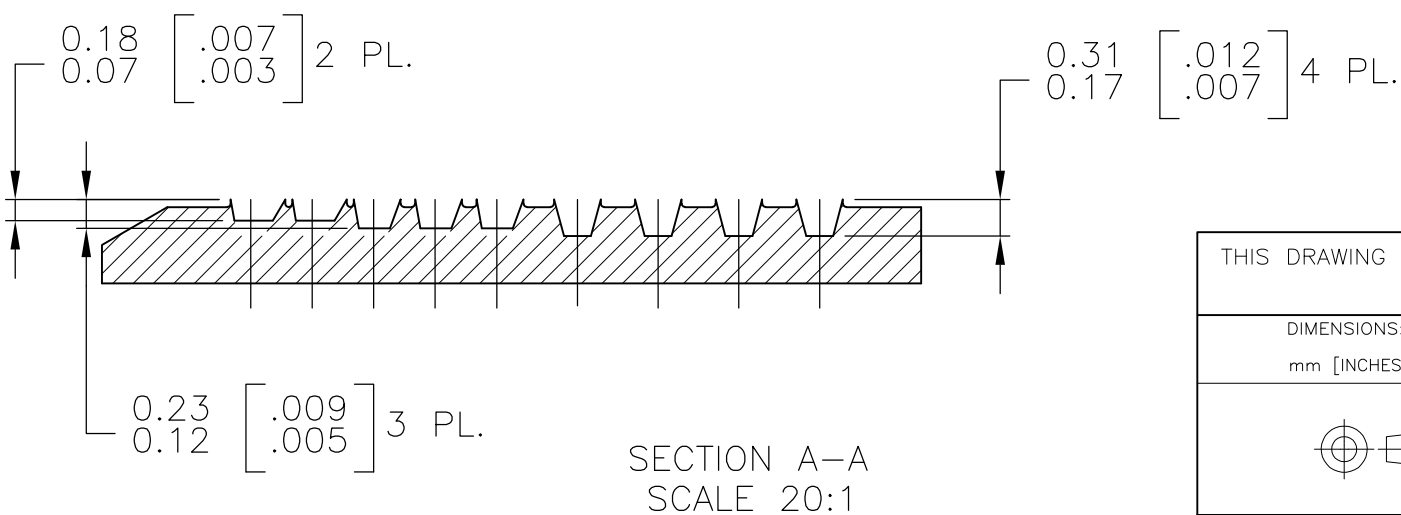
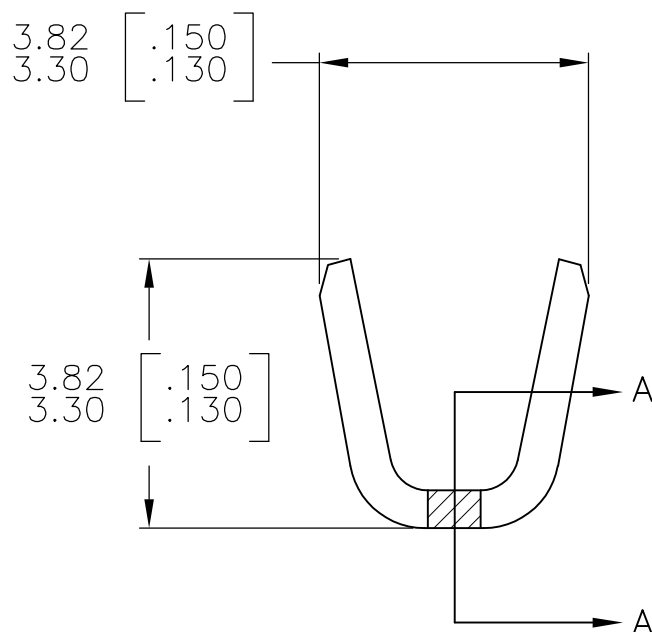
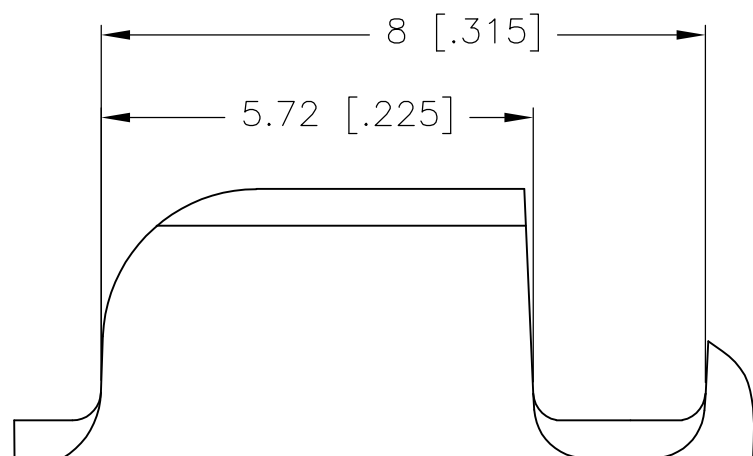
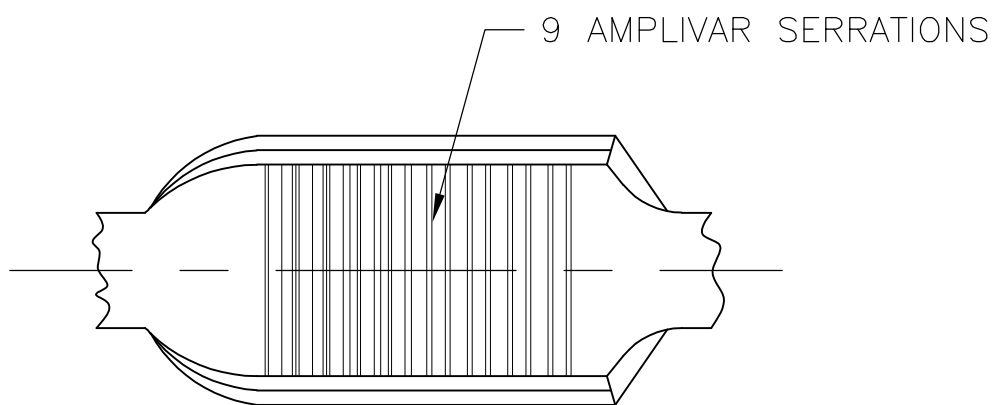
Address: A1208, Overseas Decoration Building, #122 Zhenhua RD., Futian, Shenzhen, China



THIS DRAWING IS UNPUBLISHED. RELEASED FOR PUBLICATION  
 © COPYRIGHT BY TYCO ELECTRONICS CORPORATION. ALL RIGHTS RESERVED.

LOC	DIST	REVISIONS			
P	LTR	DESCRIPTION	DATE	DWN	APVD
AF	50	C2	REVISED PER ECR-10-007904	16APR10	HMR GP

1. PRODUCT PROVIDED IN STRIP FORM ON REELS; BREAKS MAY BE PRESENT.
2. DIMENSIONS IN BRACKETS ARE IN INCHES.
3. CRIMP WIDTH: .110 F (AMPLIVAR TYPE)  
 CRIMP HEIGHT  $(\pm .002) = (\text{TOTAL CMA} + 9360) / 190,400$   
 GENERAL APPLICATION GUIDELINES MUST BE FOLLOWED AS SPECIFIED IN CATALOG # 82221  
 FOR APPLICATOR INFORMATION CALL: 1-800-722-1111  
 FOR PRODUCT INFORMATION CALL: 1-800-522-6752



METRIC

62304-2  
PART NO.

THIS DRAWING IS A CONTROLLED DOCUMENT.		DWN RAGHAVENDRA 27JAN06	Tyco Electronics Corporation Harrisburg, Pa 17105-3608	
DIMENSIONS: mm [INCHES]		CHK G.D.PORTA	NAME	
TOLERANCES UNLESS OTHERWISE SPECIFIED:		APVD G.D.PORTA	SPLICE, AMPLIVAR 600-3000 CMA	
0 PLC ± -		PRODUCT SPEC	APPLICATION SPEC	
1 PLC ± -		114-2003		
2 PLC ± 0.38[.015]		SIZE	CAGE CODE	DRAWING NO
3 PLC ± -		A3 00779		C-62304
4 PLC ± -		RESTRICTED TO		
ANGLES ± 1°		SCALE 10:1 SHEET 1 OF 1 REV C2		
FINISH		CUSTOMER DRAWING		
MATERIAL REF 0.51±0.03 [.020±.001] BRASS		TIN PL.		