



Chipsmall Limited consists of a professional team with an average of over 10 year of expertise in the distribution of electronic components. Based in Hongkong, we have already established firm and mutual-benefit business relationships with customers from,Europe,America and south Asia,supplying obsolete and hard-to-find components to meet their specific needs.

With the principle of “Quality Parts,Customers Priority,Honest Operation,and Considerate Service”,our business mainly focus on the distribution of electronic components. Line cards we deal with include Microchip,ALPS,ROHM,Xilinx,Pulse,ON,Everlight and Freescale. Main products comprise IC,Modules,Potentiometer,IC Socket,Relay,Connector.Our parts cover such applications as commercial,industrial, and automotives areas.

We are looking forward to setting up business relationship with you and hope to provide you with the best service and solution. Let us make a better world for our industry!



Contact us

Tel: +86-755-8981 8866 Fax: +86-755-8427 6832

Email & Skype: info@chipsmall.com Web: www.chipsmall.com

Address: A1208, Overseas Decoration Building, #122 Zhenhua RD., Futian, Shenzhen, China



THIS DRAWING IS UNPUBLISHED.

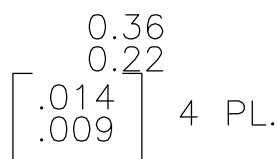
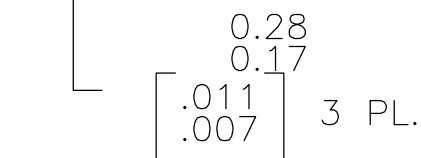
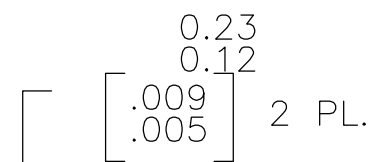
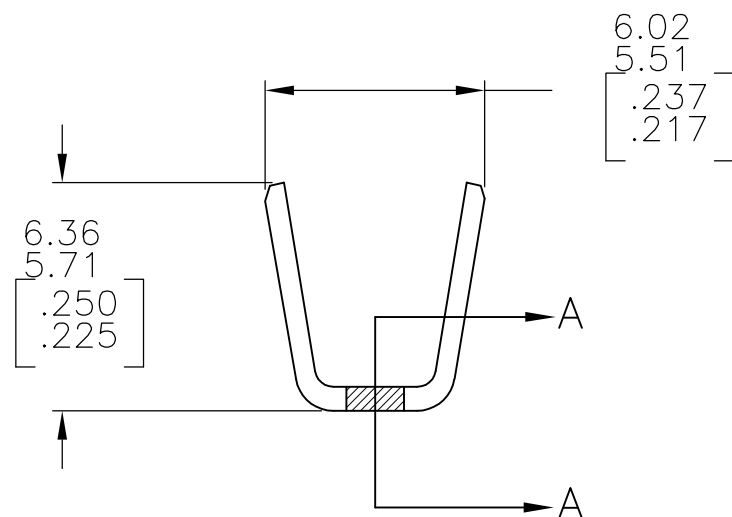
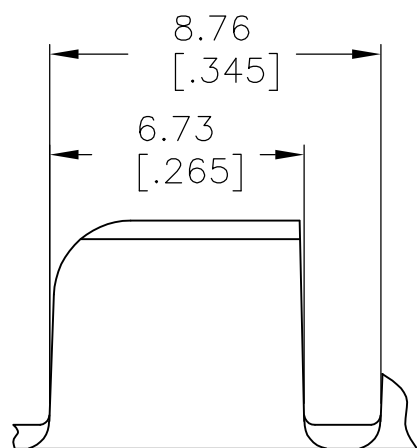
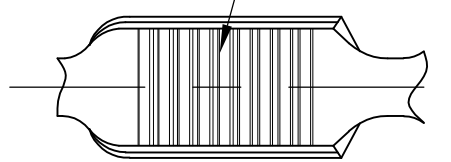
RELEASED FOR PUBLICATION

ALL RIGHTS RESERVED.

© COPYRIGHT - By -

LOC	DIST	REVISIONS					
		P	LTR	DESCRIPTION	DATE	DWN	APVD
AF	50		F4	REVISED PER ECR-12-003652	24FEB12	JR	GP

9 AMPLIVAR SERRATIONS



SECTION A-A
SCALE : 10:1

- PRODUCT PROVIDED IN STRIP FORM ON REELS; BREAKS MAY BE PRESENT.
- DIMENSIONS IN BRACKETS ARE IN INCHES.
- CRIMP WIDTH: .180 F
CRIMP HEIGHT (±.002)=(TOTAL CMA+23,000)/312,500
CRIMP WIDTH: .220 F
CRIMP HEIGHT (±.002)=(TOTAL CMA+25,000)/375,000
GENERAL APPLICATION GUIDELINES MUST BE FOLLOWED AS SPECIFIED IN CATALOG #82221
FOR APPLICATOR INFORMATION CALL : 1-800-722-1111
FOR PRODUCT INFORMATION CALL : 1-800-522-6752
- WIRE RANGE 7000-14000 CMA

OBSOLETE	—REVERSE	62310-3
	STANDARD	62310-2
	REELING	PART NO

THIS DRAWING IS A CONTROLLED DOCUMENT.		DWN RAGHAVENDRA 31JAN06	STE TE Connectivity	
DIMENSIONS: mm [INCHES]		CHK G.D.PORTA		
TOLERANCES UNLESS OTHERWISE SPECIFIED:		APVD G.D.PORTA	NAME	
0 PLC ± -		PRODUCT SPEC	SPLICE, AMPLIVAR	
1 PLC ± -		APPLICATION SPEC	7000-14000 CMA	
2 PLC ± 0.38[.015]		114-2003	SIZE	CAGE CODE
3 PLC ± -		WEIGHT -	A3	00779
4 PLC ± -		CUSTOMER DRAWING	DRAWING NO	C-62310
ANGLES ± 1°		RESTRICTED TO	SCALE	SHEET
FINISH			5:1	1 OF 1
MATERIAL REF 0.64±0.03 [.025±.001] BRASS			REV	F4
TIN PL.				

