



Chipsmall Limited consists of a professional team with an average of over 10 year of expertise in the distribution of electronic components. Based in Hongkong, we have already established firm and mutual-benefit business relationships with customers from,Europe,America and south Asia,supplying obsolete and hard-to-find components to meet their specific needs.

With the principle of “Quality Parts,Customers Priority,Honest Operation,and Considerate Service”,our business mainly focus on the distribution of electronic components. Line cards we deal with include Microchip,ALPS,ROHM,Xilinx,Pulse,ON,Everlight and Freescale. Main products comprise IC,Modules,Potentiometer,IC Socket,Relay,Connector.Our parts cover such applications as commercial,industrial, and automotives areas.

We are looking forward to setting up business relationship with you and hope to provide you with the best service and solution. Let us make a better world for our industry!



## Contact us

Tel: +86-755-8981 8866 Fax: +86-755-8427 6832

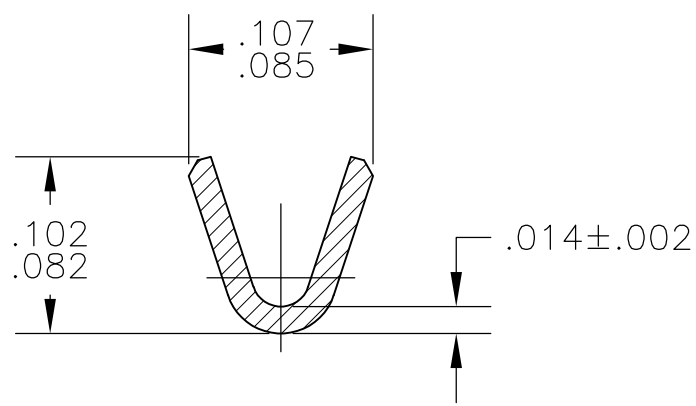
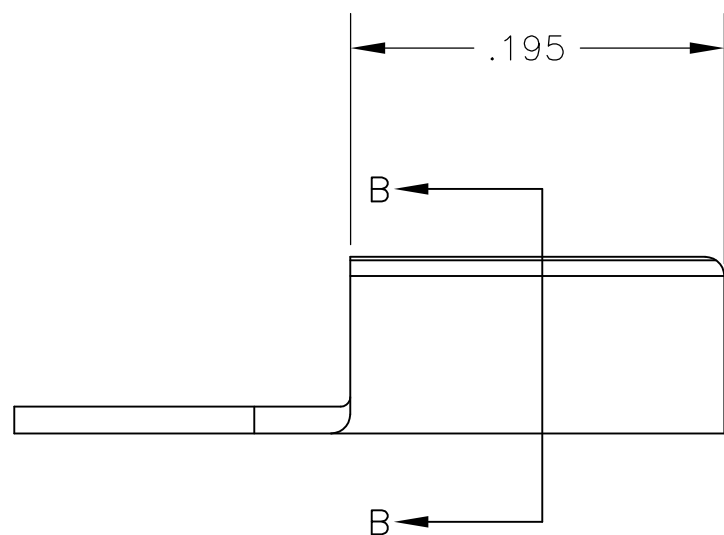
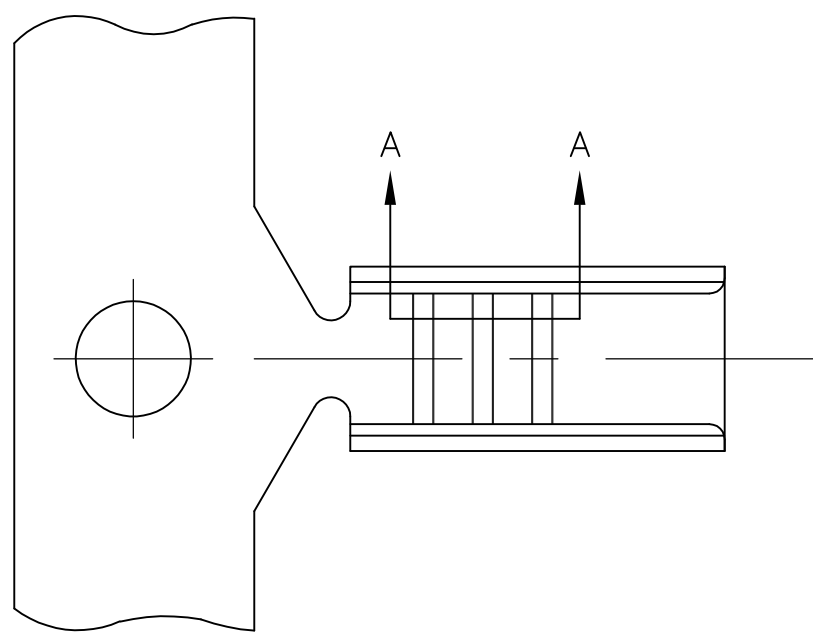
Email & Skype: info@chipsmall.com Web: www.chipsmall.com

Address: A1208, Overseas Decoration Building, #122 Zhenhua RD., Futian, Shenzhen, China

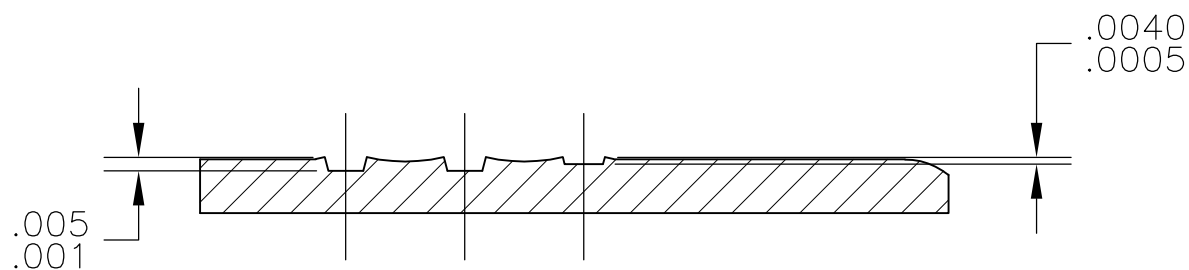


THIS DRAWING IS UNPUBLISHED. RELEASED FOR PUBLICATION  
 © COPYRIGHT BY TYCO ELECTRONICS CORPORATION. ALL RIGHTS RESERVED.

LOC	DIST	REVISIONS			
P	LTR	DESCRIPTION	DATE	DWN	APVD
AF	50	E	REVISED PER ECR-10-004665	08MAR10	JR GP



SECTION B-B



SECTION A-A  
SCALE 20:1

- 1 CONTINUOUS STRIP ON REELS
- 2 P/N 62341-3 SAME AS P/N 62341-1 EXCEPT REVERSE REELED

OBSOLETE	480-1500	CMA	TIN	2	62341-3
OBSOLETE	480-1500	CMA	NONE		62341-2
	480-1500	CMA	TIN		62341-1
	WIRE RANGE		FINISH	PART NO	

THIS DRAWING IS A CONTROLLED DOCUMENT.		DWN RAGHAVENDRA 11OCT2006	Tyco Electronics Corporation Harrisburg, PA 17105-3608		
DIMENSIONS: INCHES		CHK G.D.PORTA	NAME		
TOLERANCES UNLESS OTHERWISE SPECIFIED:		APVD G.D.PORTA	-		
		PRODUCT SPEC	-		
0 PLC ± - 1 PLC ± - 2 PLC ± - 3 PLC ± .015 4 PLC ± - ANGLES ± 1° 0'		APPLICATION SPEC	-		
MATERIAL BRASS	FINISH SEE TABLE	WEIGHT -	SIZE A3	CAGE CODE 00779	DRAWING NO G-62341
CUSTOMER DRAWING			RESTRICTED TO -	SCALE 10:1	SHEET 1 OF 1
			REV E		