



Chipsmall Limited consists of a professional team with an average of over 10 year of expertise in the distribution of electronic components. Based in Hongkong, we have already established firm and mutual-benefit business relationships with customers from,Europe,America and south Asia,supplying obsolete and hard-to-find components to meet their specific needs.

With the principle of “Quality Parts,Customers Priority,Honest Operation,and Considerate Service”,our business mainly focus on the distribution of electronic components. Line cards we deal with include Microchip,ALPS,ROHM,Xilinx,Pulse,ON,Everlight and Freescale. Main products comprise IC,Modules,Potentiometer,IC Socket,Relay,Connector.Our parts cover such applications as commercial,industrial, and automotives areas.

We are looking forward to setting up business relationship with you and hope to provide you with the best service and solution. Let us make a better world for our industry!



Contact us

Tel: +86-755-8981 8866 Fax: +86-755-8427 6832

Email & Skype: info@chipsmall.com Web: www.chipsmall.com

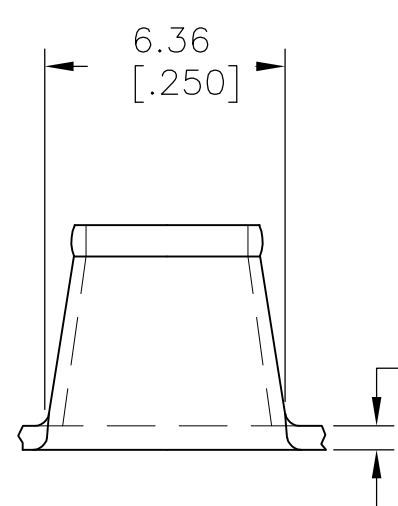
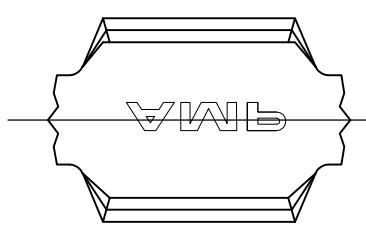
Address: A1208, Overseas Decoration Building, #122 Zhenhua RD., Futian, Shenzhen, China



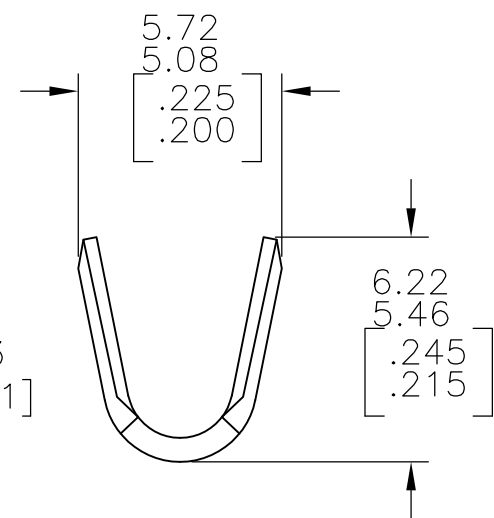
THIS DRAWING IS UNPUBLISHED. RELEASED FOR PUBLICATION
 © COPYRIGHT - By - ALL RIGHTS RESERVED.

LOC	DIST	REVISIONS			
P	LTR	DESCRIPTION	DATE	DWN	APVD
AF	50	A2	REVISED PER ECR-11-006644	05APR11	HMR GJ

- CONTINUOUS STRIP ON REELS
- WIRE RANGE FOR NEW APPLICATIONS: 3.75–5.07mm²[7400–10,000CMA]
(WIRE RANGE APPROVED FOR APPLICATIONS IMPLEMENTED PRIOR TO 2005: 4000–10,000 CMA).
- CRIMP WIDTH: 4.57[.180]F TYPE. CRIMP HEIGHT IN INCHES (+/- .002)=(TOTAL CMA OF WIRES + 20044)/288890.



0.64±0.03
[.025±.001]



62357-1
PART NO

THIS DRAWING IS A CONTROLLED DOCUMENT.		DWN	jr_ruth	24NOV04	STE TE Connectivity		
DIMENSIONS: mm [INCHES]		CHK	G PORTA	24NOV04			
TOLERANCES UNLESS OTHERWISE SPECIFIED:		APVD	G PORTA	24NOV04	NAME		
0 PLC ± -		PRODUCT SPEC			SPLICE		
1 PLC ± -		APPLICATION SPEC			RESTRICTED TO		
2 PLC ± 0.25[.010]		114-2088			SIZE	CAGE CODE	DRAWING NO
3 PLC ± -		WEIGHT -			A3	00779	C-62357
4 PLC ± -		CUSTOMER DRAWING			SCALE	SHEET	REV
ANGLES ± 5°		TEMP 1 BTRASS			1:1	1 OF 1	A2
FINISH -							