



Chipsmall Limited consists of a professional team with an average of over 10 year of expertise in the distribution of electronic components. Based in Hongkong, we have already established firm and mutual-benefit business relationships with customers from,Europe,America and south Asia,supplying obsolete and hard-to-find components to meet their specific needs.

With the principle of "Quality Parts,Customers Priority,Honest Operation,and Considerate Service",our business mainly focus on the distribution of electronic components. Line cards we deal with include Microchip,ALPS,ROHM,Xilinx,Pulse,ON,Everlight and Freescale. Main products comprise IC,Modules,Potentiometer,IC Socket,Relay,Connector.Our parts cover such applications as commercial,industrial, and automotives areas.

We are looking forward to setting up business relationship with you and hope to provide you with the best service and solution. Let us make a better world for our industry!



## Contact us

Tel: +86-755-8981 8866 Fax: +86-755-8427 6832

Email & Skype: info@chipsmall.com Web: www.chipsmall.com

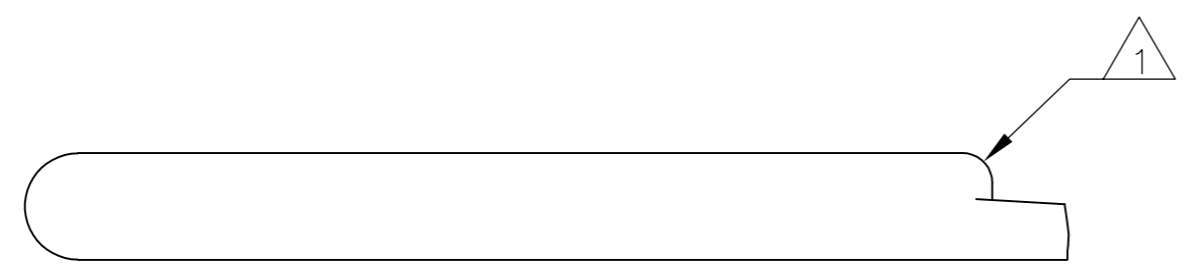
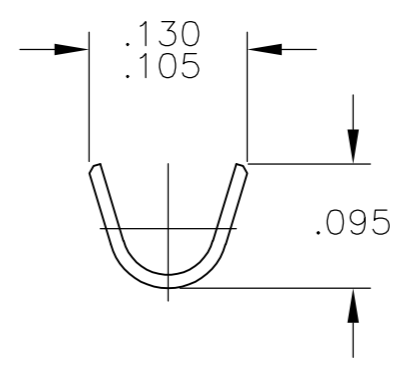
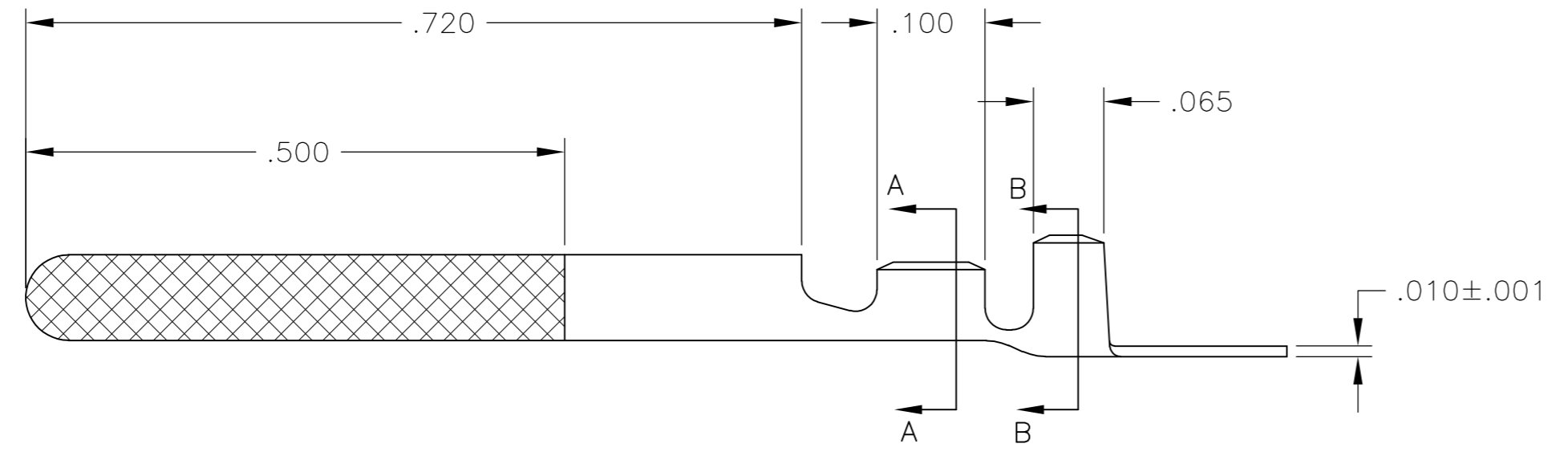
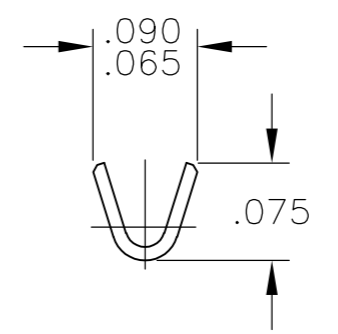
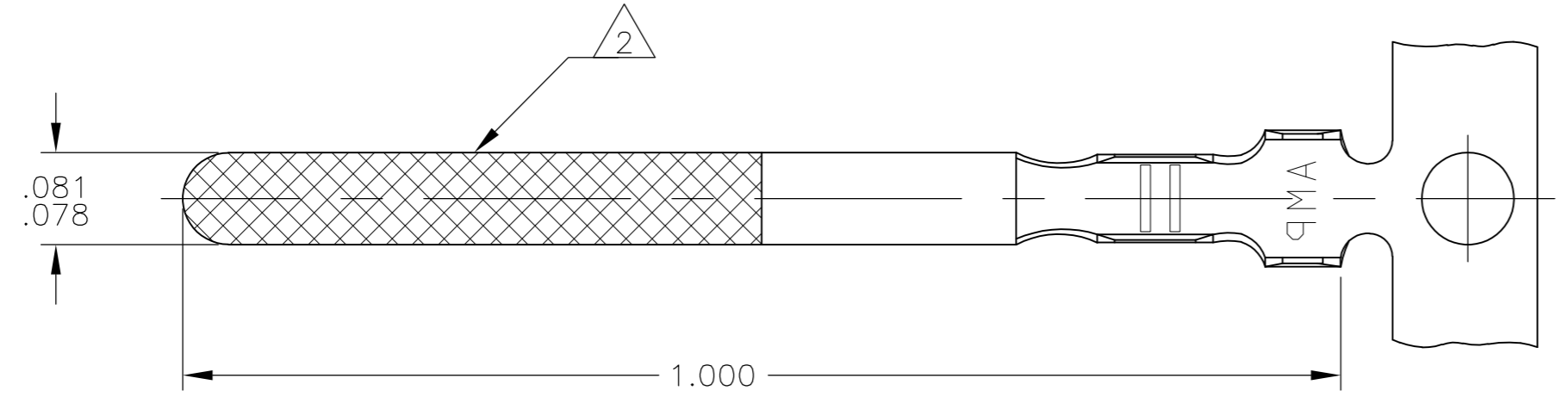
Address: A1208, Overseas Decoration Building, #122 Zhenhua RD., Futian, Shenzhen, China



THIS DRAWING IS UNPUBLISHED. RELEASED FOR PUBLICATION  
 © COPYRIGHT BY TYCO ELECTRONICS CORPORATION. ALL INTERNATIONAL RIGHTS RESERVED.

LOC	DIST	REVISIONS			
P	LTR	DESCRIPTION	DATE	DWN	APVD
AF	50	K1	REDRAWN PER ECR-08-032847	09FEB09	HMR JR
		K2	REVISED PER ECO-09-020932	08SEP09	KK AEG

- 1 CRIMP DONE IN APPLICATOR
- 2 GOLD ON AREA MARKED .000015 - .000020 THK. WITH NICKEL OVER ENTIRE PART .000080 THK.
- 3 OBSOLETE PARTS: OBSOLETE CIS STREAMLINING PER D.RENAUD/D.SINISI



3 SUPERSEDED	1 OBSOLETE	1 OBSOLETE	REVERSE REELED	OBSOLETE	GOLD/NICKEL	24-20	.043-.073	62358-5
					BRIGHT TIN/LEAD OVER NICKEL	24-20	.043-.073	62358-4
					TIN	24-20	.043-.073	62358-1
					FINISH	WIRE AWG	INSULATION RANGE	PART NO

THIS DRAWING IS A CONTROLLED DOCUMENT.		DWN RAGHAVENDRA 09FEB09	Tyco Electronics Corporation Harrisburg, PA 17105-3608	
DIMENSIONS: INCHES		CHK JEFF RUTH 09FEB09	NAME	
TOLERANCES UNLESS OTHERWISE SPECIFIED:		APVD DON DECKER 09FEB09	PIN .080 DIAMETER	
0 PLC ± -		PRODUCT SPEC	SIZE CAGE CODE DRAWING NO RESTRICTED TO	
1 PLC ± -		APPLICATION SPEC	A2 00779 C=62358	
2 PLC ± -			SCALE 7:1 SHEET 1 of 1 REV K2	
3 PLC ± .015				
4 PLC ± -				
ANGLES ± 1°				
MATERIAL BRASS	FINISH SEE TABLE	WEIGHT -		
		CUSTOMER DRAWING		