



Chipsmall Limited consists of a professional team with an average of over 10 year of expertise in the distribution of electronic components. Based in Hongkong, we have already established firm and mutual-benefit business relationships with customers from,Europe,America and south Asia,supplying obsolete and hard-to-find components to meet their specific needs.

With the principle of "Quality Parts,Customers Priority,Honest Operation,and Considerate Service",our business mainly focus on the distribution of electronic components. Line cards we deal with include Microchip,ALPS,ROHM,Xilinx,Pulse,ON,Everlight and Freescale. Main products comprise IC,Modules,Potentiometer,IC Socket,Relay,Connector.Our parts cover such applications as commercial,industrial, and automotives areas.

We are looking forward to setting up business relationship with you and hope to provide you with the best service and solution. Let us make a better world for our industry!



## Contact us

Tel: +86-755-8981 8866 Fax: +86-755-8427 6832

Email & Skype: info@chipsmall.com Web: www.chipsmall.com

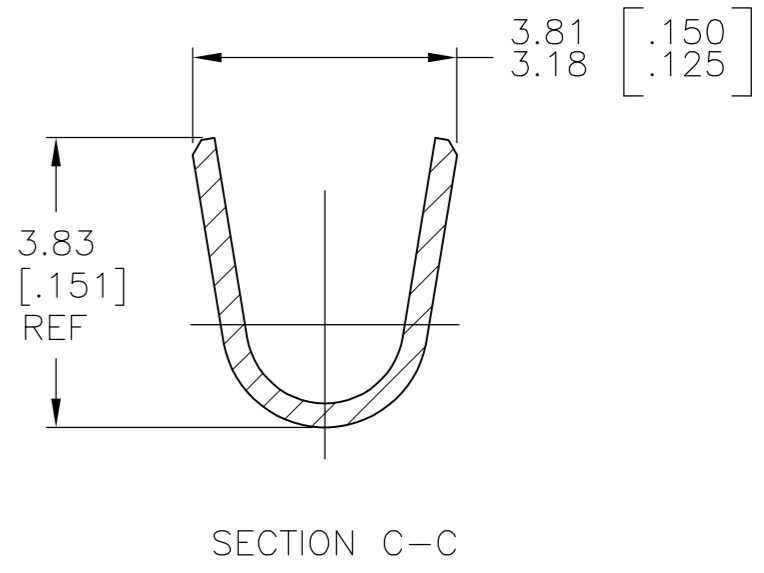
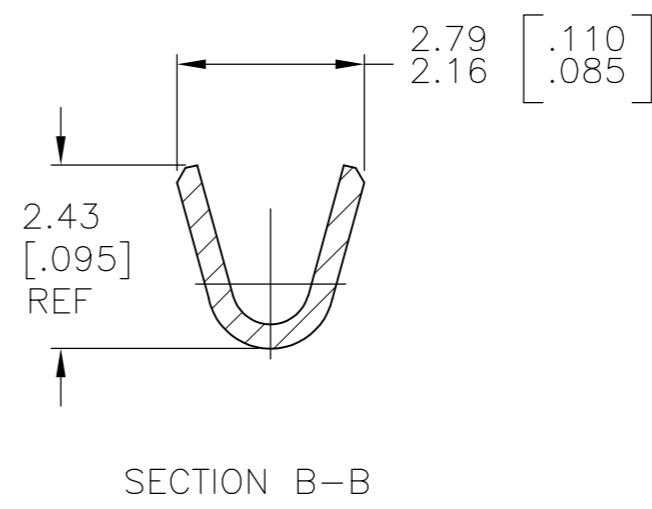
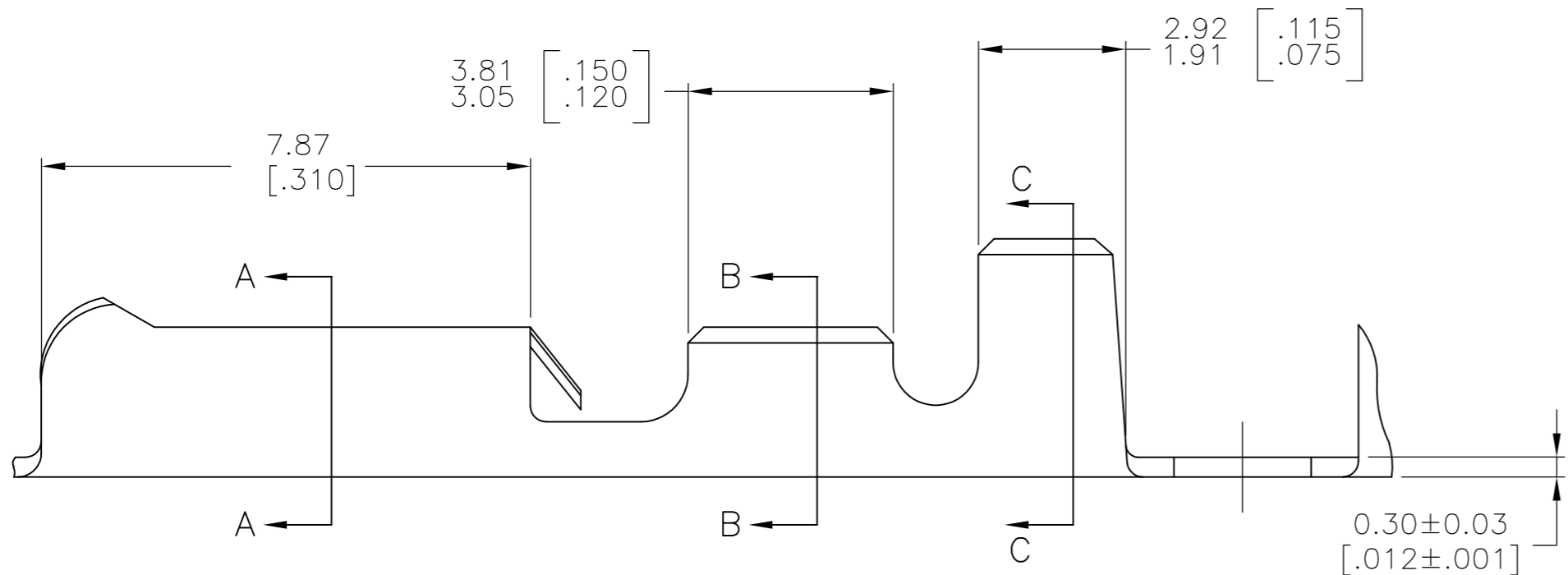
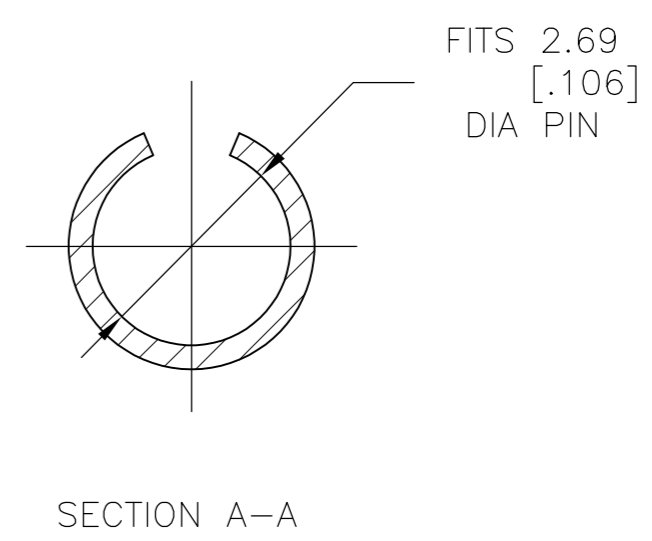
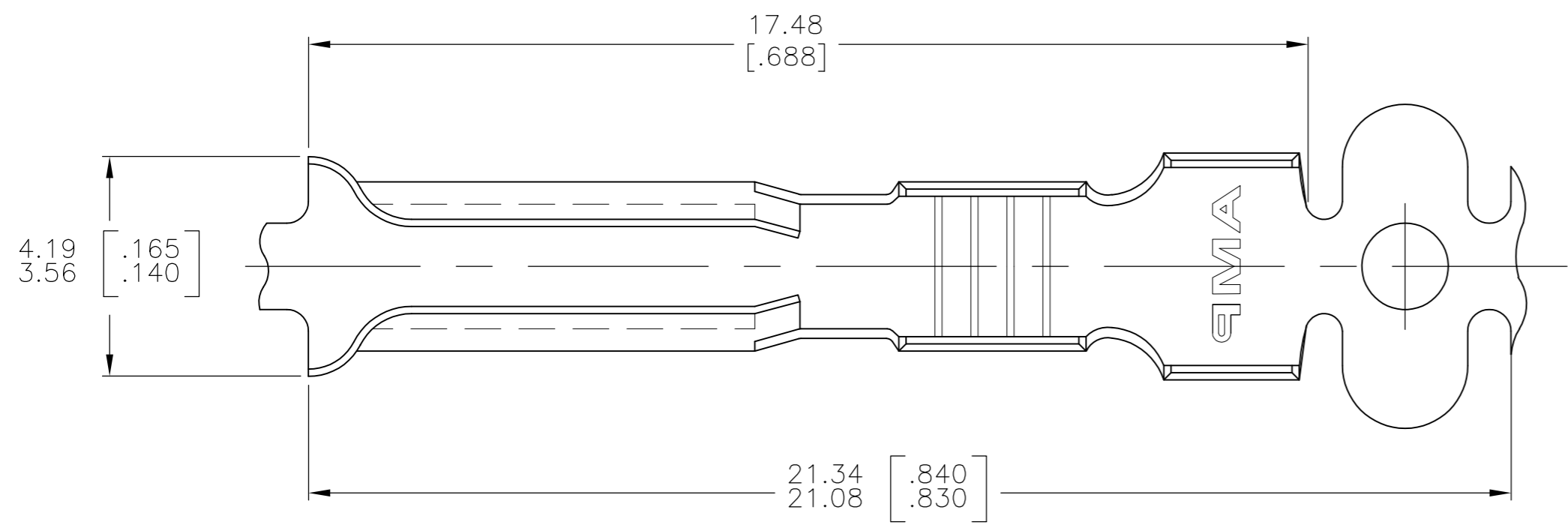
Address: A1208, Overseas Decoration Building, #122 Zhenhua RD., Futian, Shenzhen, China



THIS DRAWING IS UNPUBLISHED. RELEASED FOR PUBLICATION  
 © COPYRIGHT BY TYCO ELECTRONICS CORPORATION. ALL RIGHTS RESERVED.

LOC		DIST		REVISIONS				
P	LTR	DESCRIPTION			DATE	DWN	APVD	
AF	50	A1	REDRAWN PER ECR-07-007776			23MAY07	HMR	DD

- 1 CONTINUOUS STRIP ON REELS
- 2 INSULATION RANGE: 1.52 [.060] MAX.
- 3 WIRE RANGE: (1) 22 - 18 AWG OR  
(2) 22 AWG



2.69±0.05 [.106±.002]	62402-1
PIN DIA	PART NO

THIS DRAWING IS A CONTROLLED DOCUMENT.		DWN RAGHAVENDRA 23MAY07	Tyco Electronics Corporation Harrisburg, Pa 17105-3608	
DIMENSIONS: mm [INCHES]		CHK DECKER D 23MAY07		
TOLERANCES UNLESS OTHERWISE SPECIFIED:		APVD DECKER D 23MAY07	NAME RECEPTACLE, PIN .106 DIA	
0 PLC ± -		PRODUCT SPEC	SIZE A2	
1 PLC ± -		APPLICATION SPEC	CAGE CODE 00779	
2 PLC ± -			DRAWING NO C=62402	
3 PLC ± 0.25[.010]			RESTRICTED TO	
4 PLC ± -			SCALE 10:1 SHEET 1 OF 1 REV A1	
ANGLES ± -				
MATERIAL H04 BRASS	FINISH PRE-TIN	WEIGHT -		
		CUSTOMER DRAWING		