



Chipsmall Limited consists of a professional team with an average of over 10 year of expertise in the distribution of electronic components. Based in Hongkong, we have already established firm and mutual-benefit business relationships with customers from,Europe,America and south Asia,supplying obsolete and hard-to-find components to meet their specific needs.

With the principle of “Quality Parts,Customers Priority,Honest Operation,and Considerate Service”,our business mainly focus on the distribution of electronic components. Line cards we deal with include Microchip,ALPS,ROHM,Xilinx,Pulse,ON,Everlight and Freescale. Main products comprise IC,Modules,Potentiometer,IC Socket,Relay,Connector.Our parts cover such applications as commercial,industrial, and automotives areas.

We are looking forward to setting up business relationship with you and hope to provide you with the best service and solution. Let us make a better world for our industry!



Contact us

Tel: +86-755-8981 8866 Fax: +86-755-8427 6832

Email & Skype: info@chipsmall.com Web: www.chipsmall.com

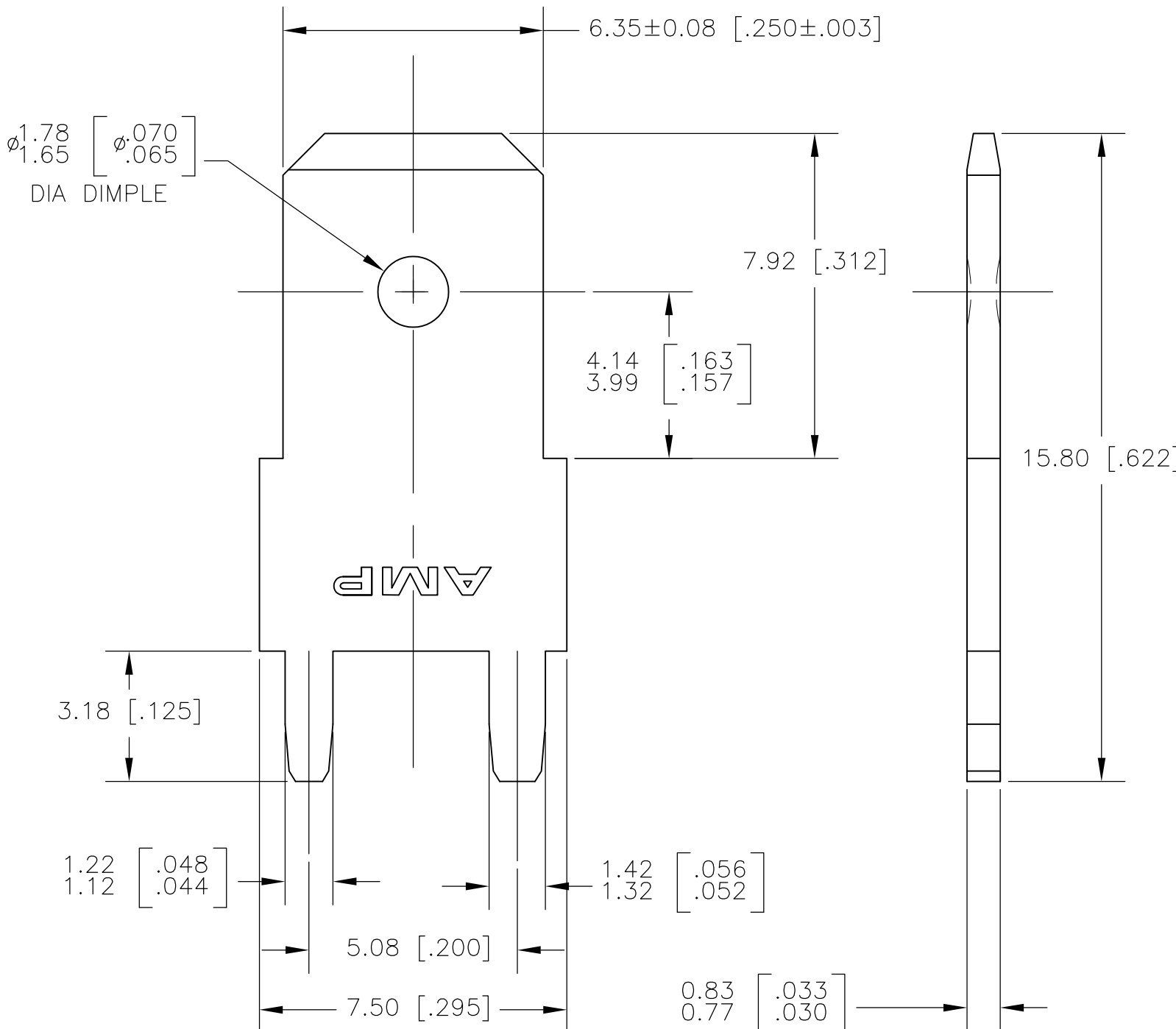
Address: A1208, Overseas Decoration Building, #122 Zhenhua RD., Futian, Shenzhen, China



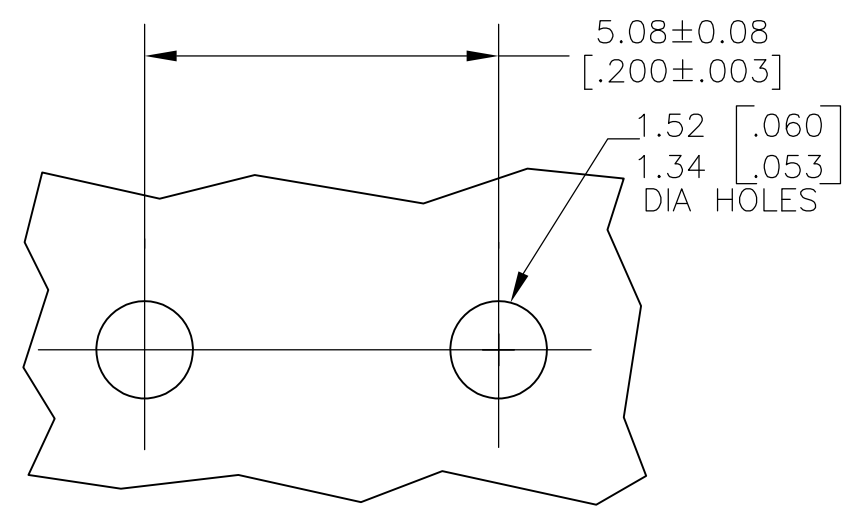
THIS DRAWING IS UNPUBLISHED. RELEASED FOR PUBLICATION
 © COPYRIGHT - By - ALL RIGHTS RESERVED.

LOC	DIST	REVISIONS			
P	LTR	DESCRIPTION	DATE	DWN	APVD
AF	50	R4	REVISED PER ECO-11-022919	11/11/11	JR PD

D
C
B
A



- 1 SUPPLIED IN LOOSE PIECE.
- 2 0.00381 [.000150] MIN TIN OVER
0.00254 [.000100] MIN THK COPPER.
- 3 0.00381 [.000150] MIN SILVER OVER
0.00254 [.000100] MIN THK COPPER.
- 4 SPECIAL PACKAGING QUANTITY
- 5 PRELIMINARY - NOT FOR PRODUCTION
- 6 0.00038 [.000015] MIN GOLD OVER
0.00127 [.000050] MIN NICKEL.



P.C. BOARD HOLES
SCALE 10:1

FINISH	PART NUMBER
2	9-62409-1
6	62409-4
3	62409-3
2	62409-1

THIS DRAWING IS A CONTROLLED DOCUMENT.		DWN JR RUTH 30NOV00																
DIMENSIONS: mm(INCHES)		CHK MS FEHER 30NOV00																
TOLERANCES UNLESS OTHERWISE SPECIFIED:		APVD G PORTA 30NOV00	NAME TAB, FASTON, PC BOARD, 6.35 [.250] SERIES															
<table border="0"> <tr><td>0 PLC</td><td>± -</td></tr> <tr><td>1 PLC</td><td>± -</td></tr> <tr><td>2 PLC</td><td>± 0.38 [.015]</td></tr> <tr><td>3 PLC</td><td>± -</td></tr> <tr><td>4 PLC</td><td>± -</td></tr> <tr><td>ANGLES</td><td>± -</td></tr> </table>		0 PLC	± -	1 PLC	± -	2 PLC	± 0.38 [.015]	3 PLC	± -	4 PLC	± -	ANGLES	± -	PRODUCT SPEC -	SIZE A3	CAGE CODE 00779	DRAWING NO C-62409	RESTRICTED TO -
0 PLC	± -																	
1 PLC	± -																	
2 PLC	± 0.38 [.015]																	
3 PLC	± -																	
4 PLC	± -																	
ANGLES	± -																	
MATERIAL 082 BRASS	FINISH SEE TABLE	WEIGHT -	CUSTOMER DRAWING		SCALE 8:1	SHEET 1 OF 1	REV R4											