



Chipsmall Limited consists of a professional team with an average of over 10 year of expertise in the distribution of electronic components. Based in Hongkong, we have already established firm and mutual-benefit business relationships with customers from,Europe,America and south Asia,supplying obsolete and hard-to-find components to meet their specific needs.

With the principle of “Quality Parts,Customers Priority,Honest Operation,and Considerate Service”,our business mainly focus on the distribution of electronic components. Line cards we deal with include Microchip,ALPS,ROHM,Xilinx,Pulse,ON,Everlight and Freescale. Main products comprise IC,Modules,Potentiometer,IC Socket,Relay,Connector.Our parts cover such applications as commercial,industrial, and automotives areas.

We are looking forward to setting up business relationship with you and hope to provide you with the best service and solution. Let us make a better world for our industry!



Contact us

Tel: +86-755-8981 8866 Fax: +86-755-8427 6832

Email & Skype: info@chipsmall.com Web: www.chipsmall.com

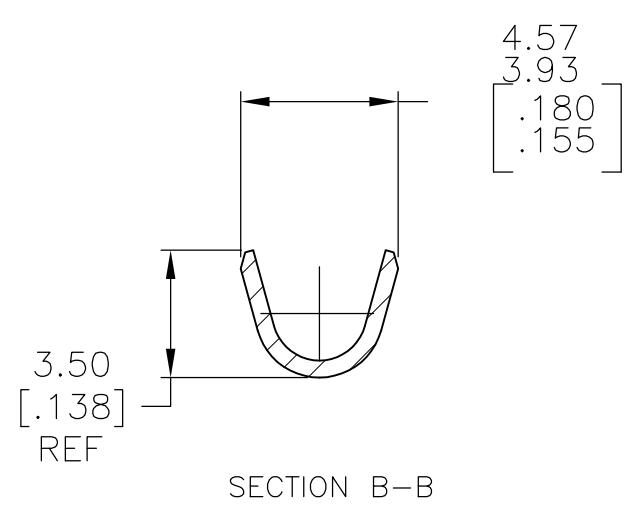
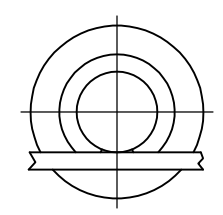
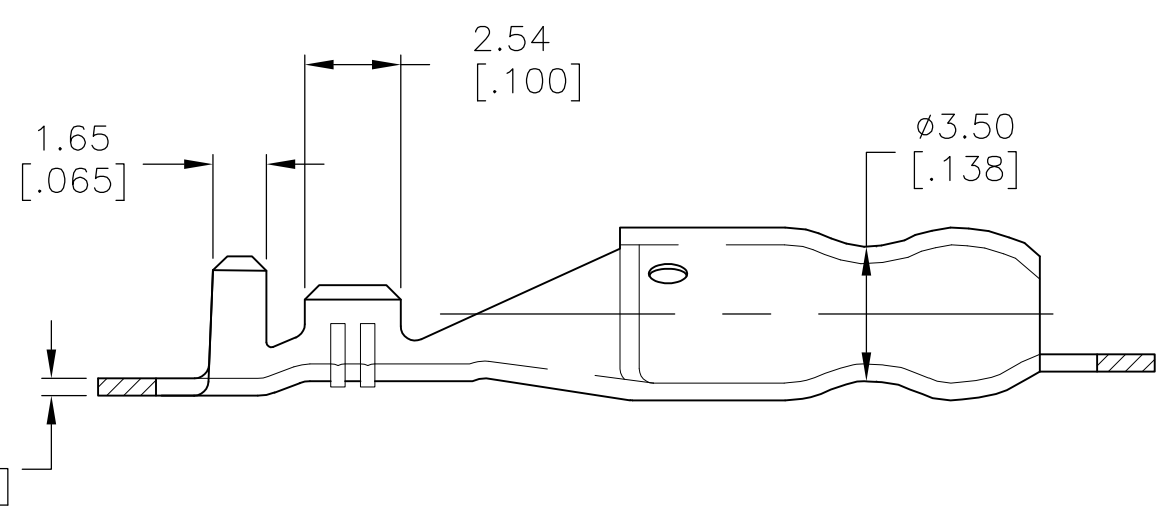
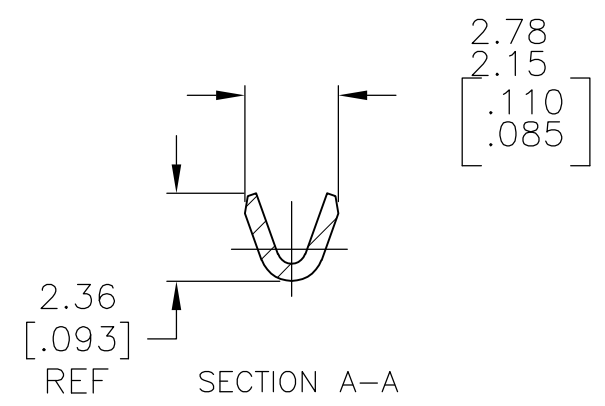
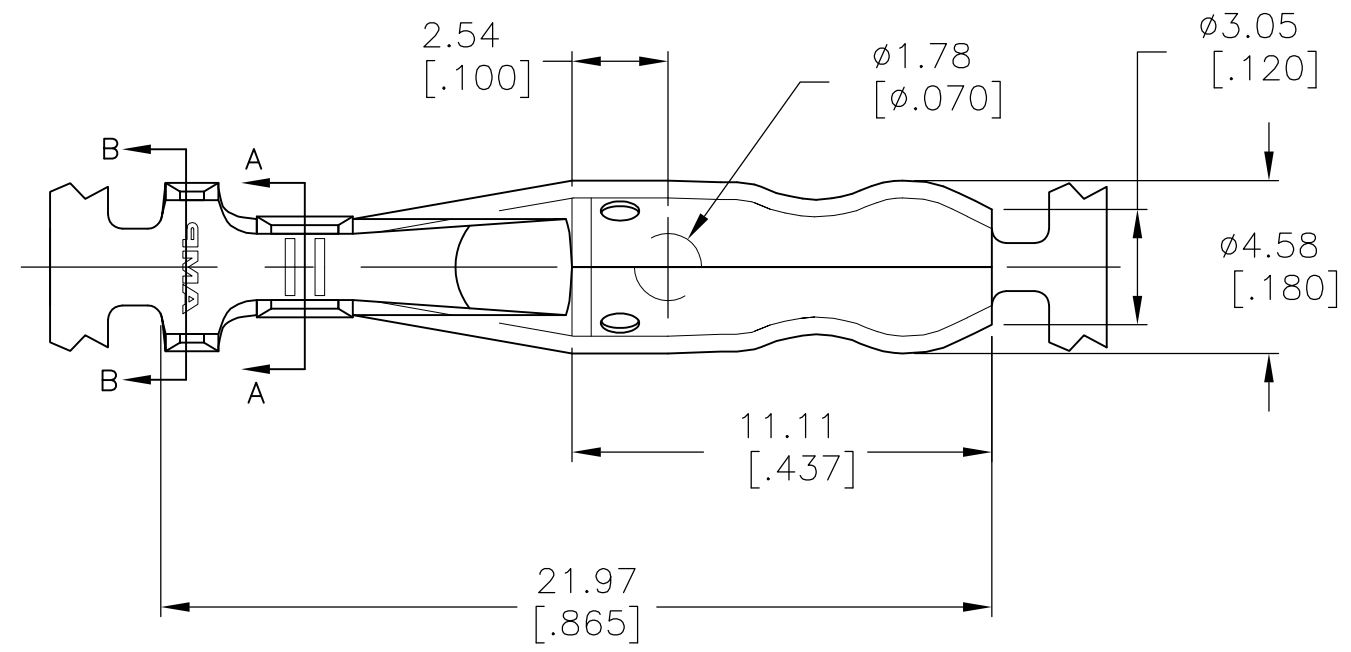
Address: A1208, Overseas Decoration Building, #122 Zhenhua RD., Futian, Shenzhen, China



THIS DRAWING IS UNPUBLISHED. RELEASED FOR PUBLICATION
 © COPYRIGHT - BY TYCO ELECTRONICS CORPORATION. ALL RIGHTS RESERVED.

LOC	DIST	REVISIONS			
P	LTR	DESCRIPTION	DATE	DWN	APVD
AF	50	A1	ECR-07-026634 (REDRAWN IN AUTOCAD)	07NOV07	HMR DD

- CONTINUOUS STRIP ON REELS.
- WIRE RANGE: 24-20 AWG
- INSULATION RANGE: 1.47- 2.08 [.058-.082] DIA.



62416-1
PART NO

THIS DRAWING IS A CONTROLLED DOCUMENT.		DWN RAGHAVENDRA 07NOV2007	Tyco Electronics Corporation Harrisburg, PA 17105-3608		
DIMENSIONS: mm [INCHES]	TOLERANCES UNLESS OTHERWISE SPECIFIED:	CHK D DECKER 07NOV2007	NAME		
	0 PLC ± -	APVD D DECKER 07NOV2007	SHUR PLUG, .180 DIA		
	1 PLC ± -	PRODUCT SPEC	SIZE CAGE CODE DRAWING NO RESTRICTED TO		
	2 PLC ± 0.38 [.015]	APPLICATION SPEC	A3 00779 C-62416		
	3 PLC ± -	WEIGHT -	SCALE 5:1 SHEET 1 OF 1 REV A1		
	4 PLC ± -	CUSTOMER DRAWING			
	ANGLES ± 1°				
MATERIAL O81 BRASS	FINISH TIN OVER NICKEL				