



Chipsmall Limited consists of a professional team with an average of over 10 year of expertise in the distribution of electronic components. Based in Hongkong, we have already established firm and mutual-benefit business relationships with customers from,Europe,America and south Asia,supplying obsolete and hard-to-find components to meet their specific needs.

With the principle of “Quality Parts,Customers Priority,Honest Operation,and Considerate Service”,our business mainly focus on the distribution of electronic components. Line cards we deal with include Microchip,ALPS,ROHM,Xilinx,Pulse,ON,Everlight and Freescale. Main products comprise IC,Modules,Potentiometer,IC Socket,Relay,Connector.Our parts cover such applications as commercial,industrial, and automotives areas.

We are looking forward to setting up business relationship with you and hope to provide you with the best service and solution. Let us make a better world for our industry!



Contact us

Tel: +86-755-8981 8866 Fax: +86-755-8427 6832

Email & Skype: info@chipsmall.com Web: www.chipsmall.com

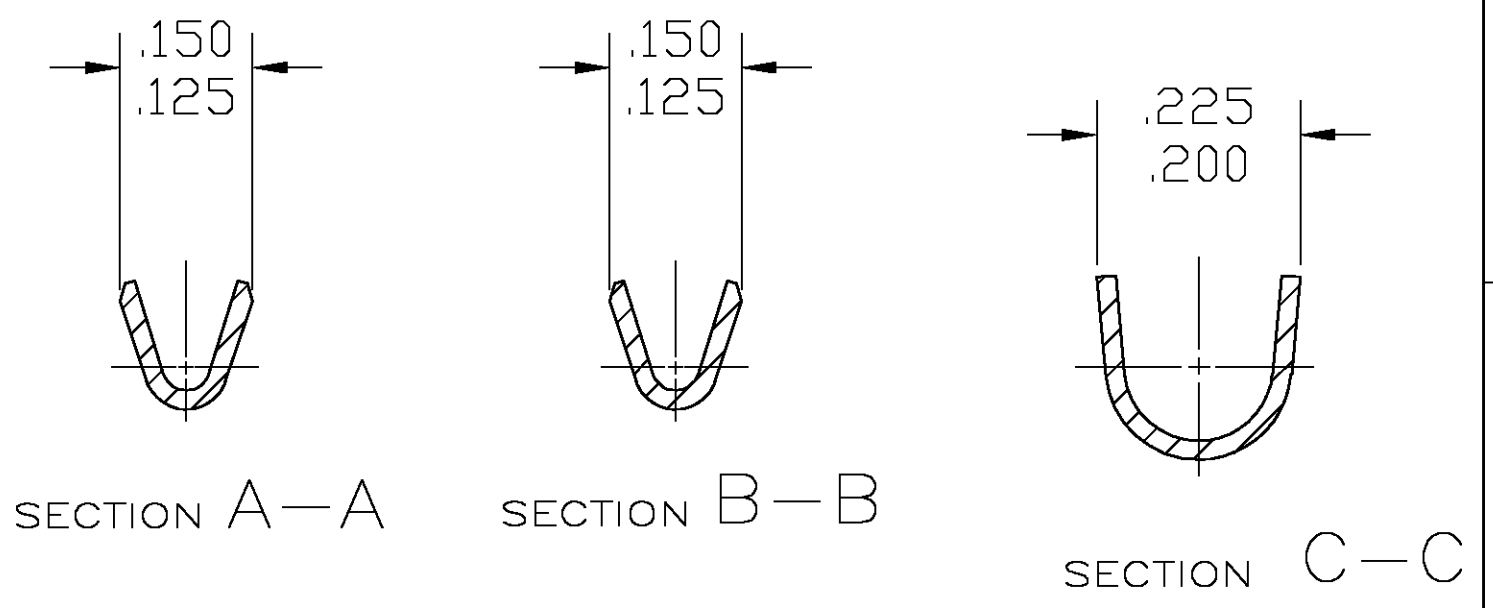
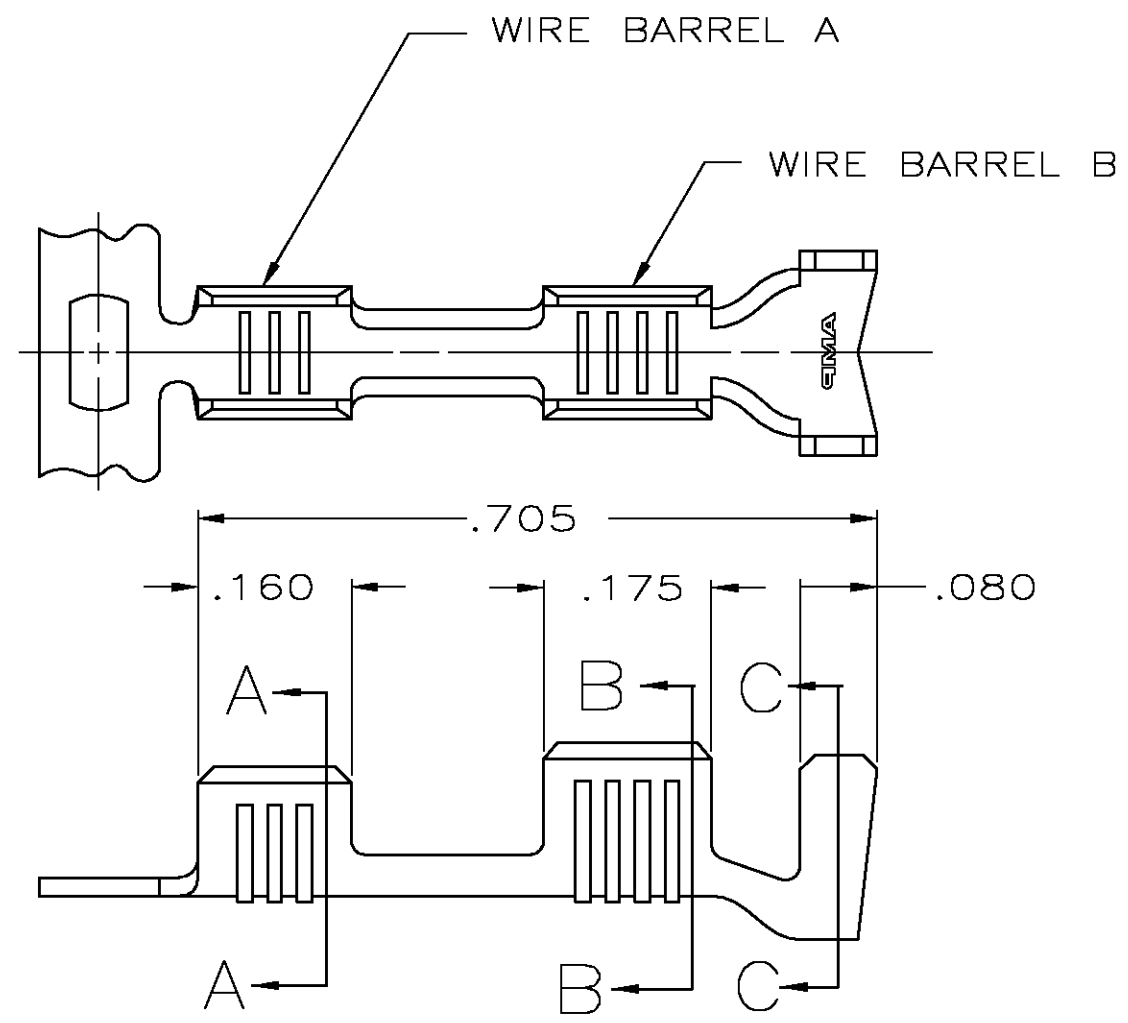
Address: A1208, Overseas Decoration Building, #122 Zhenhua RD., Futian, Shenzhen, China



THIS DRAWING IS UNPUBLISHED. RELEASED FOR PUBLICATION
 © COPYRIGHT BY TYCO ELECTRONICS CORPORATION. ALL RIGHTS RESERVED.

LOC	DIST	REVISIONS				
P	LTR	DESCRIPTION	DATE	DWN	APVD	
AF	50	L	REV PER 0G3A-0148-05	28FEB05	JR GP	

1 CONTINUOUS STRIP ON REELS WITH TERMINALS LOCATED ON .535 CENTERS.



.135-.170 DIA	#18-#16 AWG	#18-#14 AWG	NICKEL	TEMP 3 STEEL	62419-3
			NONE	082 BRASS	62419-2
			TIN	082 BRASS	62419-1
INSULATION RANGE	BARREL A WIRE RANGE		FINISH	MATERIAL	PART NO.
THIS DRAWING IS A CONTROLLED DOCUMENT.			DWN JR RUTH 28FEB05	Tyco Electronics Corporation Harrisburg, Pa 17105-3608	
DIMENSIONS: INCHES			CHK G PORTA 28FEB05		
TOLERANCES UNLESS OTHERWISE SPECIFIED:			APVD G PORTA 28FEB05	NAME	
0 PLC ± - 1 PLC ± - 2 PLC ± - 3 PLC ± .015 4 PLC ± - ANGLES ± -			PRODUCT SPEC	SPLICE, BUTT	
MATERIAL SEE TABLE			APPLICATION SPEC	SIZE	RESTRICTED TO
FINISH SEE TABLE			WEIGHT -	CAGE CODE A300779	DRAWING NO C-62419
CUSTOMER DRAWING				SCALE 5:1	SHEET 1 OF 1