



Chipsmall Limited consists of a professional team with an average of over 10 year of expertise in the distribution of electronic components. Based in Hongkong, we have already established firm and mutual-benefit business relationships with customers from,Europe,America and south Asia,supplying obsolete and hard-to-find components to meet their specific needs.

With the principle of "Quality Parts,Customers Priority,Honest Operation,and Considerate Service",our business mainly focus on the distribution of electronic components. Line cards we deal with include Microchip,ALPS,ROHM,Xilinx,Pulse,ON,Everlight and Freescale. Main products comprise IC,Modules,Potentiometer,IC Socket,Relay,Connector.Our parts cover such applications as commercial,industrial, and automotives areas.

We are looking forward to setting up business relationship with you and hope to provide you with the best service and solution. Let us make a better world for our industry!



## Contact us

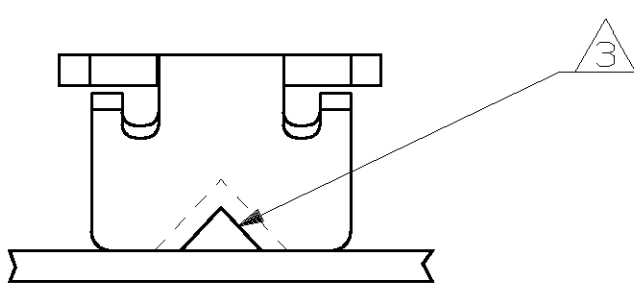
Tel: +86-755-8981 8866 Fax: +86-755-8427 6832

Email & Skype: info@chipsmall.com Web: www.chipsmall.com

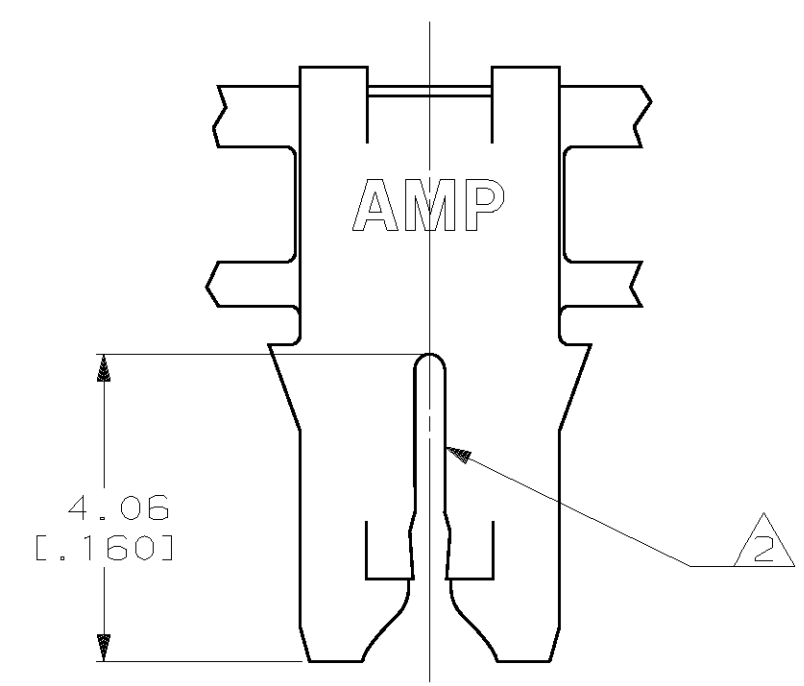
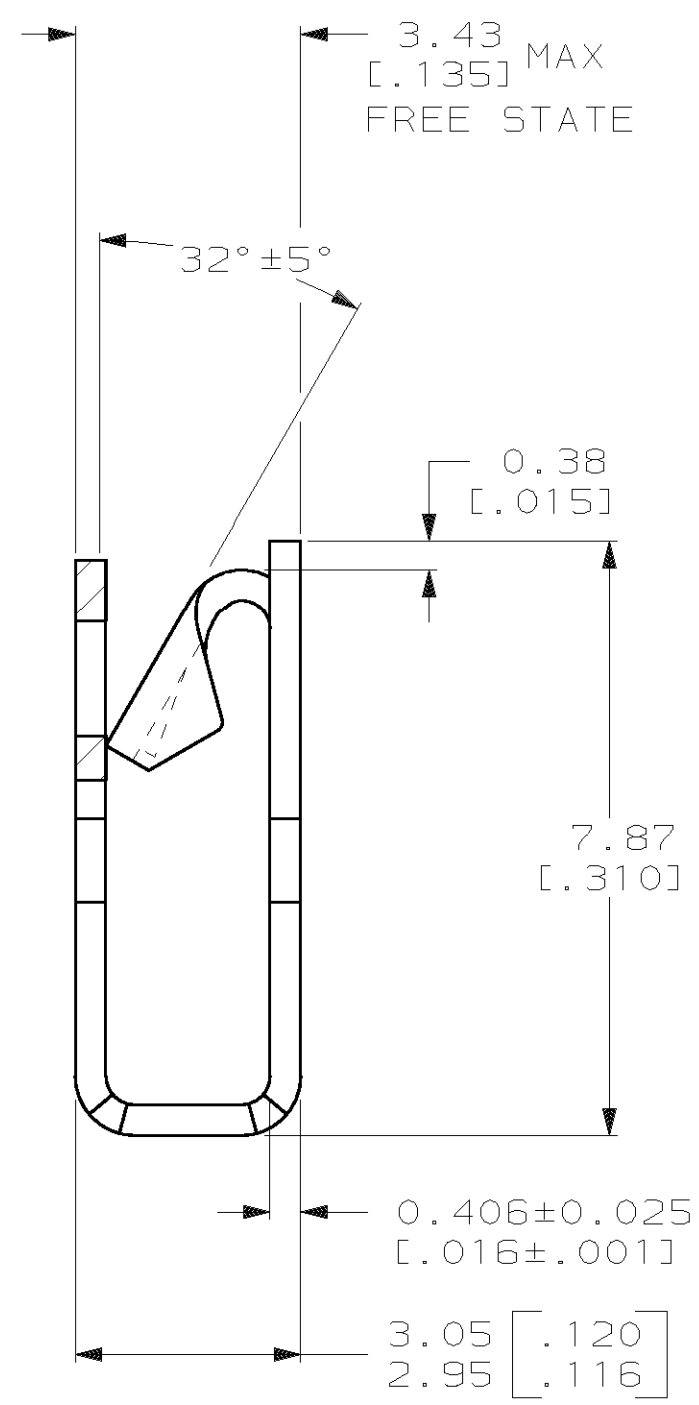
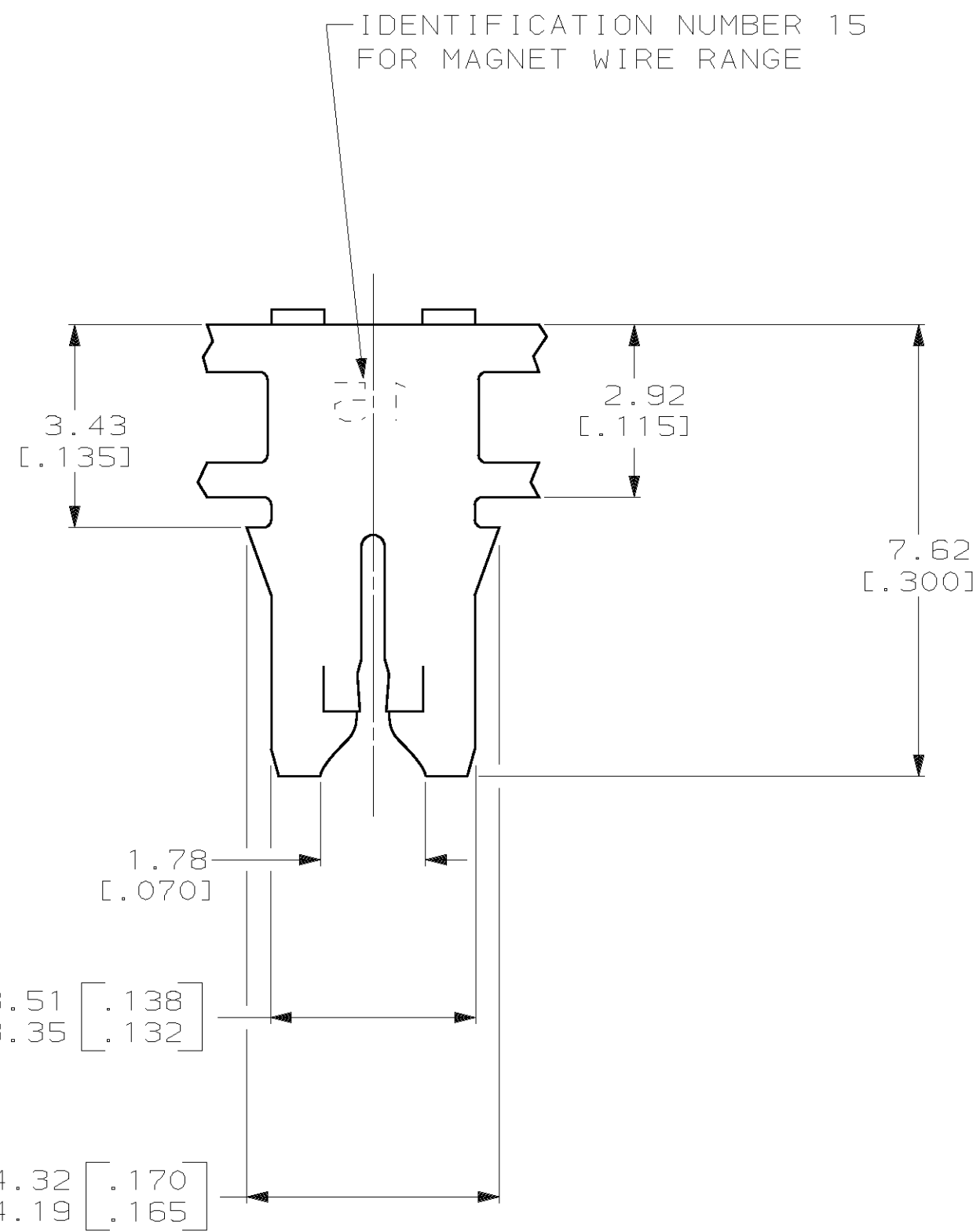
Address: A1208, Overseas Decoration Building, #122 Zhenhua RD., Futian, Shenzhen, China



LOC		DIST		ZONE		LTR		REVISIONS			
AD	ADDED	-6	PER	0G3A-0271-01	DATE	APPD					
AF	50	P	F					AD	ADDED -6 PER 0G3A-0271-01	17MAY01	MF-KR



- 1 CONTINUOUS STRIP ON REELS WITH TERMINALS LOCATED ON 5.59±0.08 [.220±.003] CENTERS.
- 2 SLOT ACCEPTS 0.64-0.81mm [#22-#20] AWG COPPER MAGNET WIRE. A SINGLE WIRE ONLY.
- 3 POKE-IN ACCEPTS A 0.81-1.02mm<sup>2</sup> [#20-#18] AWG SOLID OR FUSED STRANDED LEAD WIRE.
- 4 0.002032 [.000080] MIN TIN.
- 5 VARNISH RESIST OVER 0.002032 [.000080] MIN TIN.
- 6 SPECIAL REEL QUANTITY FOR AMP SPAIN PRODUCTION ONLY.
- 7 PRELIMINARY - NOT FOR PRODUCTION.



REVERSE	WELD	CARDBOARD REEL	4M BRASS	4	7	62420-6
STANDARD	SPLICE FREE	PLASTIC REEL	4M BRASS	4	7	62420-5
STANDARD	WELD	CARDBOARD REEL	H04 PHOSPHOR BRONZE	4		62420-4
STANDARD	WELD	CARDBOARD REEL	4M BRASS	4	6	62420-3
STANDARD	WELD	CARDBOARD REEL	4M BRASS	5		62420-2
STANDARD	WELD	CARDBOARD REEL	4M BRASS	4		62420-1
REELING DIRECTION	SPLICE	REELING MATERIAL	MATERIAL	FINISH		PART NO

DO NOT SCALE PRINT. UNLESS SPECIFIED DIMENSIONS IN mm [INCHES] TOLERANCES ON : 2 PLC DEC ± 0.25 [.010] 3 PLC DEC ± - ANGLES ± -	DR 5/19/92 MICHAEL S. FEHER CHK 5/20/92 JEFF R. RUTH APPD 5/21/92 NELSON E. NEFF APPD 5/21/92 TERRY L. SHUTTER	AMP Incorporated Harrisburg, PA 17105-3608
MATERIAL SEE TABLE	PRODUCT SPEC 108-2012	
FINISH SEE TABLE	APPLICATION SPEC 114-2046	NAME  TERMINAL, POKE-IN, 300 SERIES MAG-MATE™
	WEIGHT -	SIZE CAGE CODE DRAWING NO C 00779 62420 SCALE 10:1 SHEET 1 OF 1