



Chipsmall Limited consists of a professional team with an average of over 10 year of expertise in the distribution of electronic components. Based in Hongkong, we have already established firm and mutual-benefit business relationships with customers from,Europe,America and south Asia,supplying obsolete and hard-to-find components to meet their specific needs.

With the principle of “Quality Parts,Customers Priority,Honest Operation,and Considerate Service”,our business mainly focus on the distribution of electronic components. Line cards we deal with include Microchip,ALPS,ROHM,Xilinx,Pulse,ON,Everlight and Freescale. Main products comprise IC,Modules,Potentiometer,IC Socket,Relay,Connector.Our parts cover such applications as commercial,industrial, and automotives areas.

We are looking forward to setting up business relationship with you and hope to provide you with the best service and solution. Let us make a better world for our industry!



Contact us

Tel: +86-755-8981 8866 Fax: +86-755-8427 6832

Email & Skype: info@chipsmall.com Web: www.chipsmall.com

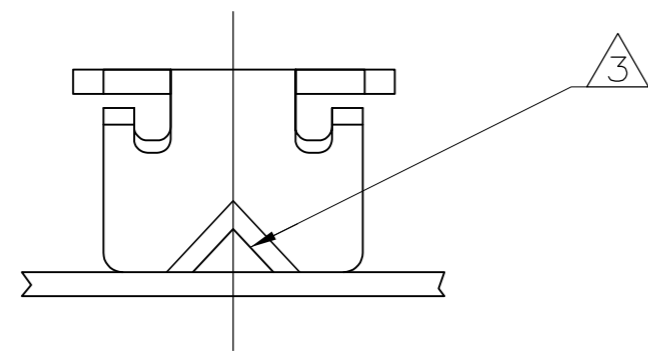
Address: A1208, Overseas Decoration Building, #122 Zhenhua RD., Futian, Shenzhen, China



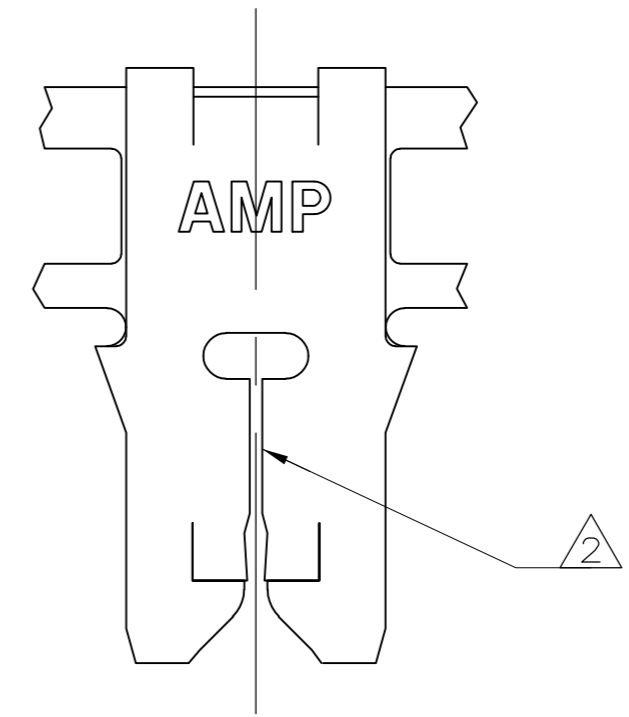
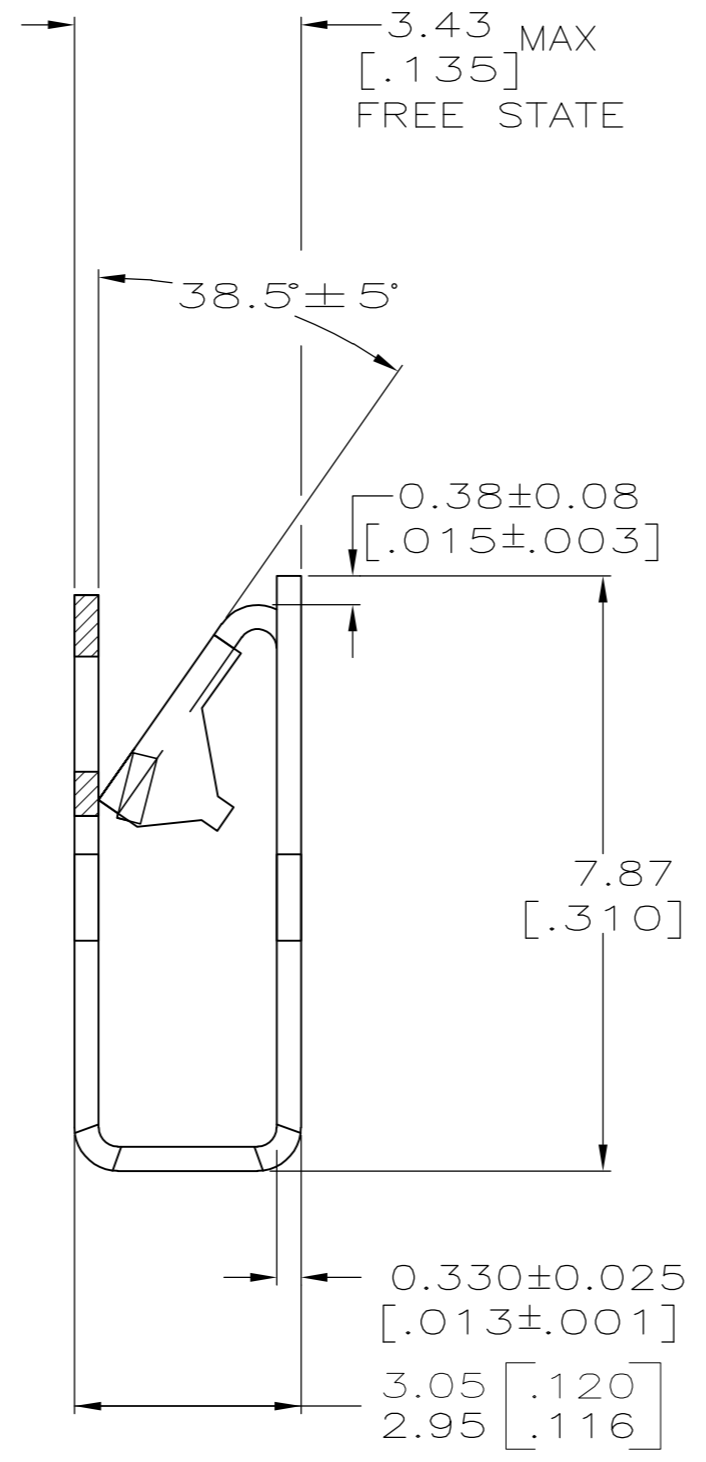
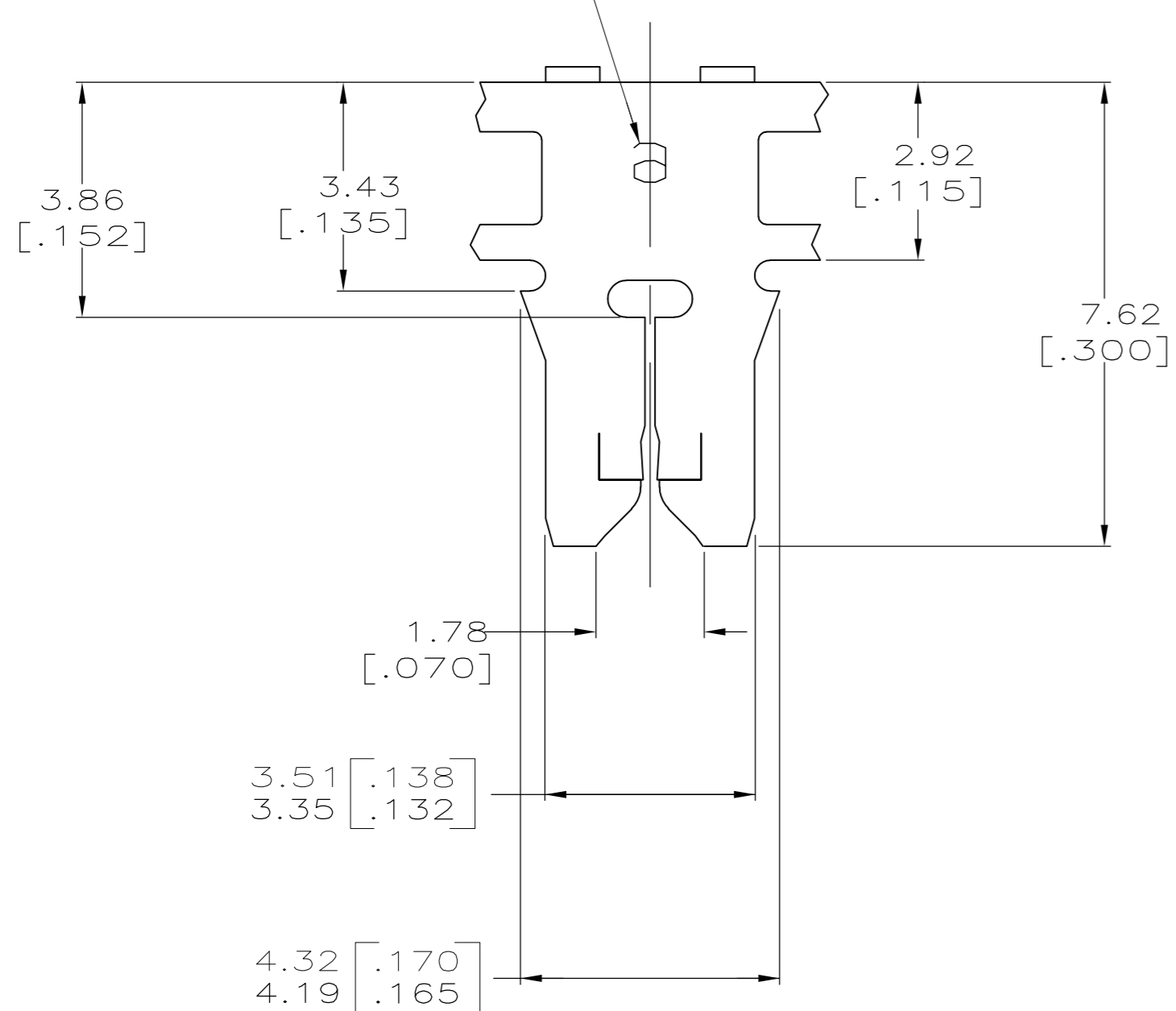
THIS DRAWING IS UNPUBLISHED. RELEASED FOR PUBLICATION
 © COPYRIGHT BY TYCO ELECTRONICS CORPORATION. ALL RIGHTS RESERVED.

LOC	DIST	REVISIONS			
P	LTR	DESCRIPTION	DATE	DWN	APVD
AF	50	AG1	REVISED PER ECR-12-022060	17FEB13	CX LL

- 1 CONTINUOUS STRIP ON REELS WITH TERMINALS LOCATED ON 5.59±0.08 [.220±.003] CENTERS.
- 2 SLOT TERMINATES EITHER A SINGLE OR DOUBLE MAGNET WIRE OF THE SAME SIZE AND TYPE.
- 3 COPPER RANGE: 0.25-0.36mm [#30-#27] AWG.
- 4 POKE-IN ACCEPTS A 0.5-0.9mm² [#20-#18] AWG SOLID OR FUSED STRANDED LEAD WIRE.
- 5 SPECIAL REEL QUANTITY - AMP SPAIN PRODUCTION ONLY.
- 6 PRELIMINARY - NOT FOR PRODUCTION.



IDENTIFICATION NUMBER 6 FOR MAGNET WIRE RANGE



	STANDARD	WITH PAPER	0.002032 [.000080] MIN TIN PLATE	H04 PHOS BRONZE	5	62429-7
OBSOLETE	REVERSE	WITH PAPER	0.002032 [.000080] MIN TIN PLATE	4M BRASS	5	62429-6
	STANDARD	WITH PAPER	0.002032 [.000080] MIN TIN PLATE	4M BRASS	4	62429-5
	STANDARD	PLASTIC REEL W/PAPER	UNPLATED	4M BRASS		62429-4
	-	-	-	-		-
OBSOLETE	STANDARD	WITHOUT PAPER	0.002032 [.000080] MIN TIN PLATE	4M BRASS		62429-2
	STANDARD	WITH PAPER	0.002032 [.000080] MIN TIN PLATE	4M BRASS		62429-1
	REELING DIRECTION	REELING	FINISH	MATERIAL		PART NUMBER

THIS DRAWING IS A CONTROLLED DOCUMENT.

DWN	03OCT1995	MICHAEL S. FEHER
CHK	16OCT1995	RICHARD GRZYBOWSKI
APVD	16OCT1995	NELSON E. NEFF

tyco Tyco Electronics Corporation
Electronics Harrisburg, PA 17105-3608

NAME: **TERMINAL, POKE-IN, 300 SERIES MAG-MATE™**

SIZE	CAGE CODE	DRAWING NO	RESTRICTED TO
A2	00779	C=62429	-

SCALE 10:1 SHEET 1 OF 1 REV AG1

CUSTOMER DRAWING