



Chipsmall Limited consists of a professional team with an average of over 10 year of expertise in the distribution of electronic components. Based in Hongkong, we have already established firm and mutual-benefit business relationships with customers from,Europe,America and south Asia,supplying obsolete and hard-to-find components to meet their specific needs.

With the principle of "Quality Parts,Customers Priority,Honest Operation,and Considerate Service",our business mainly focus on the distribution of electronic components. Line cards we deal with include Microchip,ALPS,ROHM,Xilinx,Pulse,ON,Everlight and Freescale. Main products comprise IC,Modules,Potentiometer,IC Socket,Relay,Connector.Our parts cover such applications as commercial,industrial, and automotives areas.

We are looking forward to setting up business relationship with you and hope to provide you with the best service and solution. Let us make a better world for our industry!



## Contact us

Tel: +86-755-8981 8866 Fax: +86-755-8427 6832

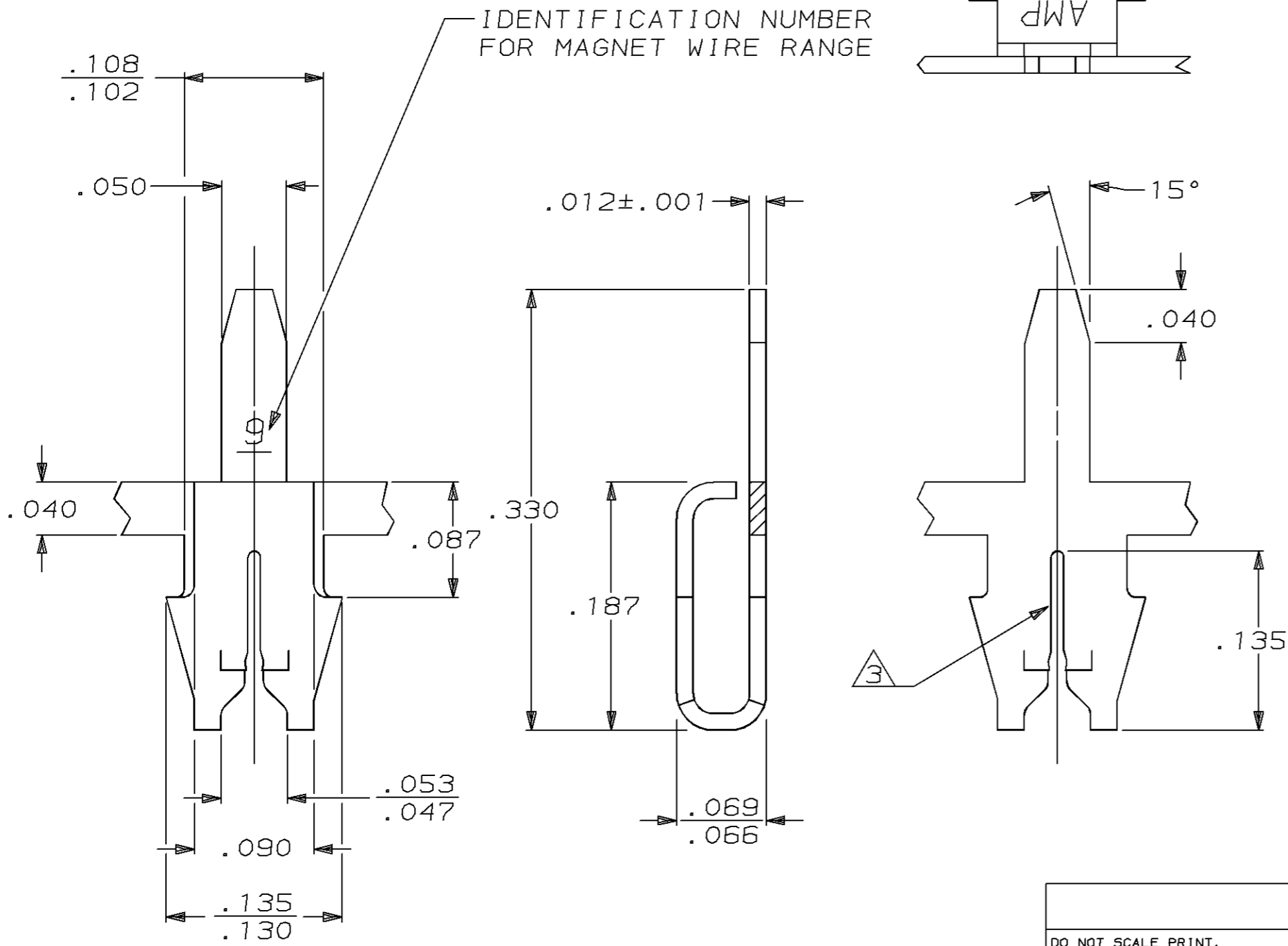
Email & Skype: info@chipsmall.com Web: www.chipsmall.com

Address: A1208, Overseas Decoration Building, #122 Zhenhua RD., Futian, Shenzhen, China



THIS DRAWING IS UNPUBLISHED. RELEASED FOR PUBLICATION, 19 .  
 © COPYRIGHT 19 BY AMP INCORPORATED. ALL INTERNATIONAL RIGHTS RESERVED.

LOC	DIST	P	F	REVISIONS				
AF	50			ZONE	LTR	DESCRIPTION	DATE	APPD
					H	REV PER 0710-0196-96	18JUN96	RG/NN



- ① MAG-MATE CAVITY SPECIFICATION.
- ② CONTINUOUS STRIP ON REELS WITH TERMINALS LOCATED ON .200 CENTERS.
- ③ SLOT ACCEPTS #27-#25 AWG COPPER MAGNET WIRE.
- ④ REELED FOR APPLICATION THROUGH MAG-MATE INSERTION MACHINE.
- ⑤ REELED FOR INSERTION INTO PRINTED CIRCUIT BOARD.
- ⑥ 0.002032[.000080] MIN TIN PER MIL-T-10727 OVER 0.00127[.000050] MIN NICKEL PER QQ-N-290

DO NOT SCALE PRINT. UNLESS SPECIFIED DIMENSIONS IN INCHES. TOLERANCES ON: 2 PLC DEC ± - 3 PLC DEC ± .010 ANGLES ± -		DR 11/21/88 M.S. FEHER	⑤	62438-2
MATERIAL #4 HARD BRASS		CHK 11/27/88 JR RUTH	④	62438-1
FINISH ⑥		APPD 11/28/88 NELSON E. NEFF	PART NO	
		APPD 11/28/88 C.G. ATHERTON	AMP INCORPORATED Harrisburg, Pa. 17105	
		PRODUCT SPEC -	NAME TERMINAL, POSTED, MAG-MATE™	
		APPLICATION SPEC 114-2069 ①	SIZE <b>B</b>	FSCM NO 00779
		WEIGHT -	DRAWING NO 62438	SCALE 10:1
			SHEET 1 OF 1	