



Chipsmall Limited consists of a professional team with an average of over 10 year of expertise in the distribution of electronic components. Based in Hongkong, we have already established firm and mutual-benefit business relationships with customers from,Europe,America and south Asia,supplying obsolete and hard-to-find components to meet their specific needs.

With the principle of “Quality Parts,Customers Priority,Honest Operation,and Considerate Service”,our business mainly focus on the distribution of electronic components. Line cards we deal with include Microchip,ALPS,ROHM,Xilinx,Pulse,ON,Everlight and Freescale. Main products comprise IC,Modules,Potentiometer,IC Socket,Relay,Connector.Our parts cover such applications as commercial,industrial, and automotives areas.

We are looking forward to setting up business relationship with you and hope to provide you with the best service and solution. Let us make a better world for our industry!



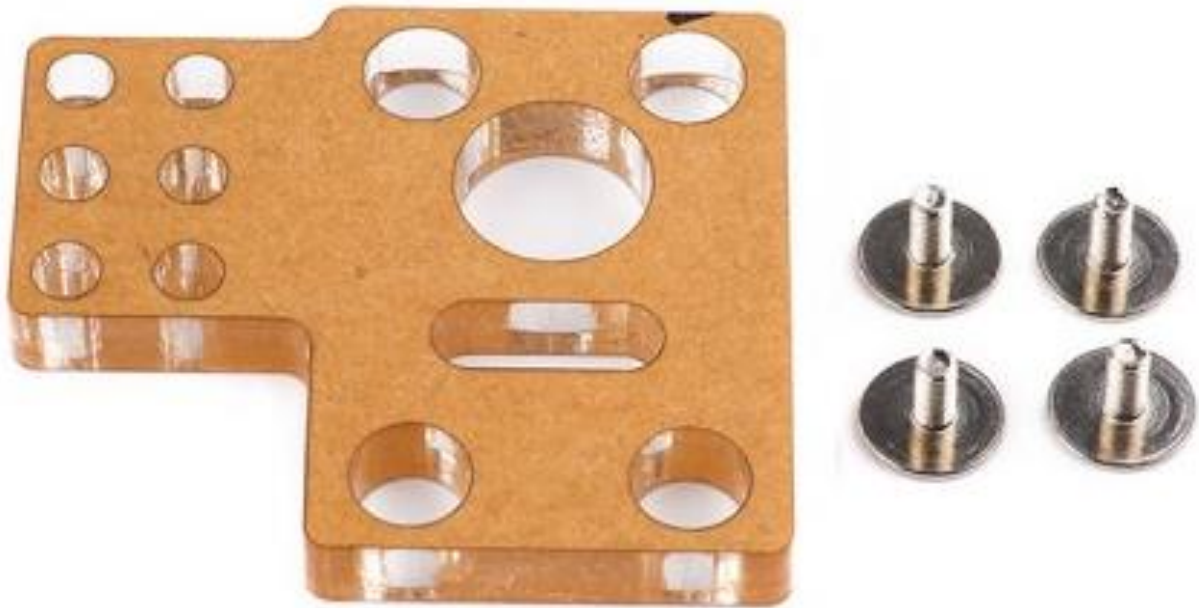
## Contact us

Tel: +86-755-8981 8866 Fax: +86-755-8427 6832

Email & Skype: info@chipsmall.com Web: www.chipsmall.com

Address: A1208, Overseas Decoration Building, #122 Zhenhua RD., Futian, Shenzhen, China





## Worm Geared Motor Bracket A (PMMA)

SKU: 62445 Weight: 11.00 Gram

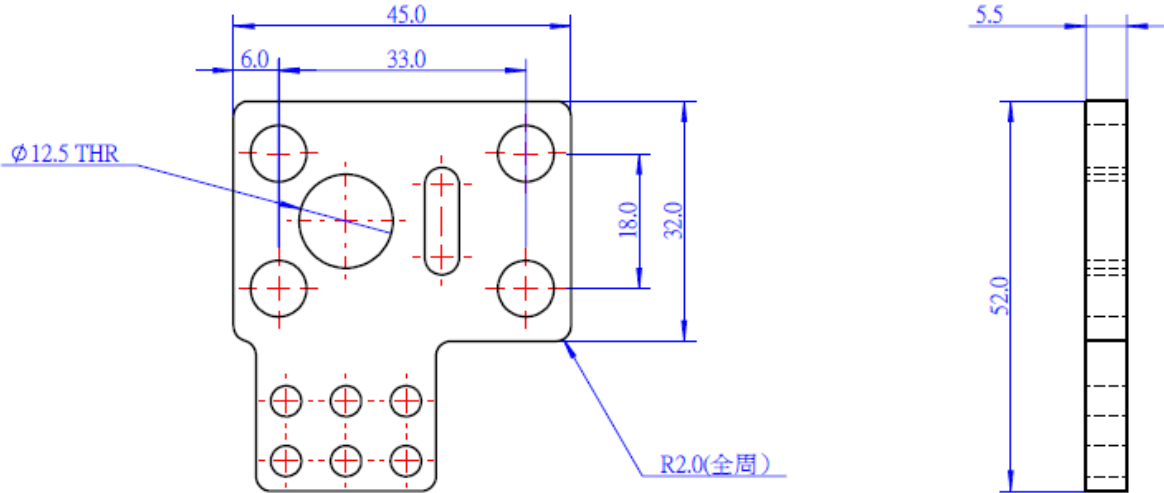
### What Is Worm Geared Motor Bracket A (PMMA)?

Worm Geared Motor Bracket A (PMMA) is a bracket specially designed for 370 Worm Geared Motor. This bracket enables you fix the 370 Worm Geared Motor on other Makeblock components to create more interesting projects.

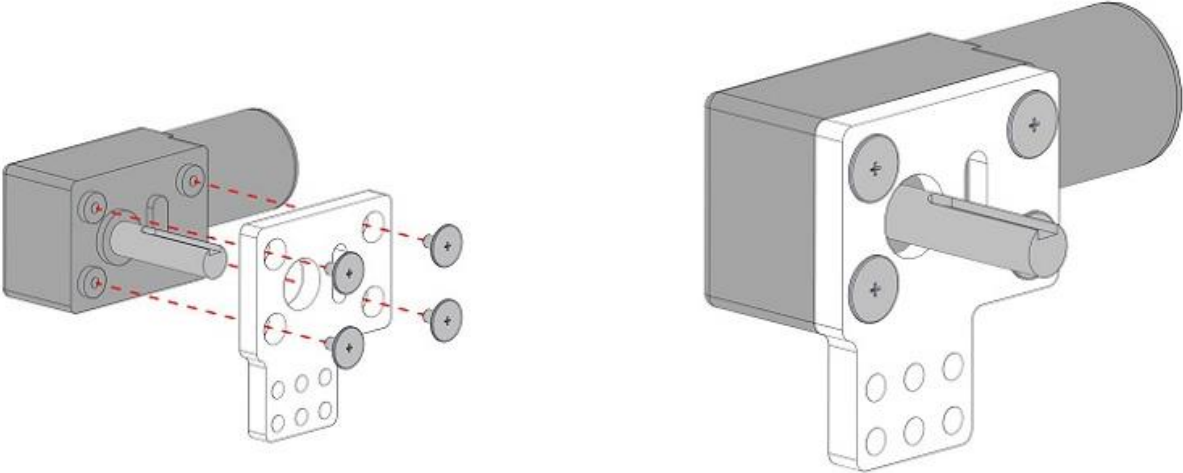
### Features

- Made of transparent acrylic material, light-weight and easy-to-use;
- Mounting holes of this bracket is compatible with Makeblock parts;
- Sold in single pack, with Screw M3x6 included for easy assembling.

# Size Chart (mm):



# Building Examples:



# Specifications

Product Name	Worm Geared Motor Bracket A (PMMA)
Product Dimension (L*W*H)	45 x 52 x 5.5 mm (1.77 x 2.04 x 0.21inch)
Material	AcrylicColorTransparent
Net Weight	9.5g (0.34oz)
Gross Weight	11g (0.39oz)
Package Content (Qty. x Part Name)	1 x Worm Geared Motor Bracket A 4 x Screw M3x6



<https://store.makeblock.com/worm-geared-motor-bracket-a-pmma> 8-8-18