



Chipsmall Limited consists of a professional team with an average of over 10 year of expertise in the distribution of electronic components. Based in Hongkong, we have already established firm and mutual-benefit business relationships with customers from,Europe,America and south Asia,supplying obsolete and hard-to-find components to meet their specific needs.

With the principle of “Quality Parts,Customers Priority,Honest Operation,and Considerate Service”,our business mainly focus on the distribution of electronic components. Line cards we deal with include Microchip,ALPS,ROHM,Xilinx,Pulse,ON,Everlight and Freescale. Main products comprise IC,Modules,Potentiometer,IC Socket,Relay,Connector.Our parts cover such applications as commercial,industrial, and automotives areas.

We are looking forward to setting up business relationship with you and hope to provide you with the best service and solution. Let us make a better world for our industry!



Contact us

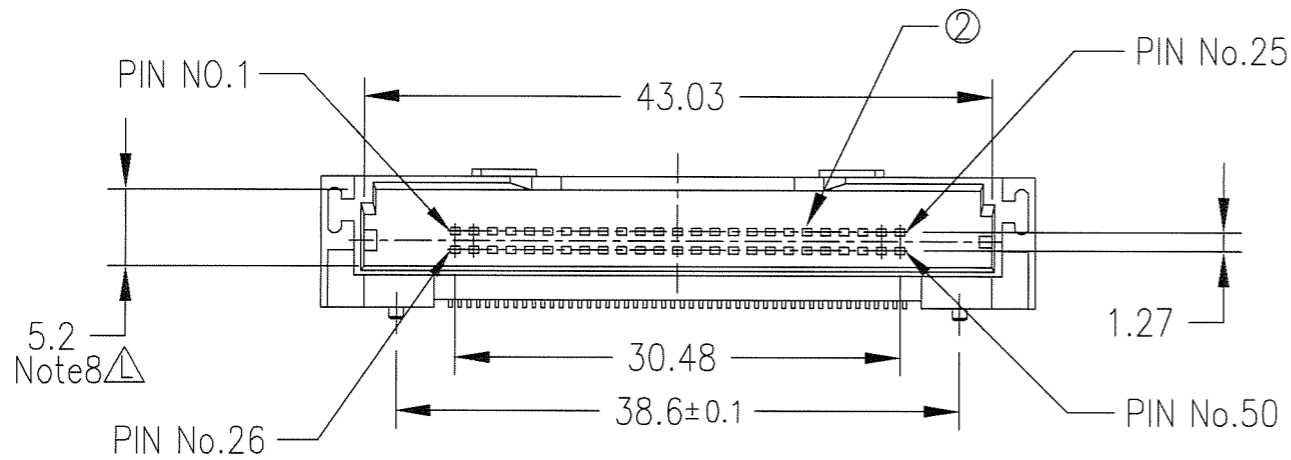
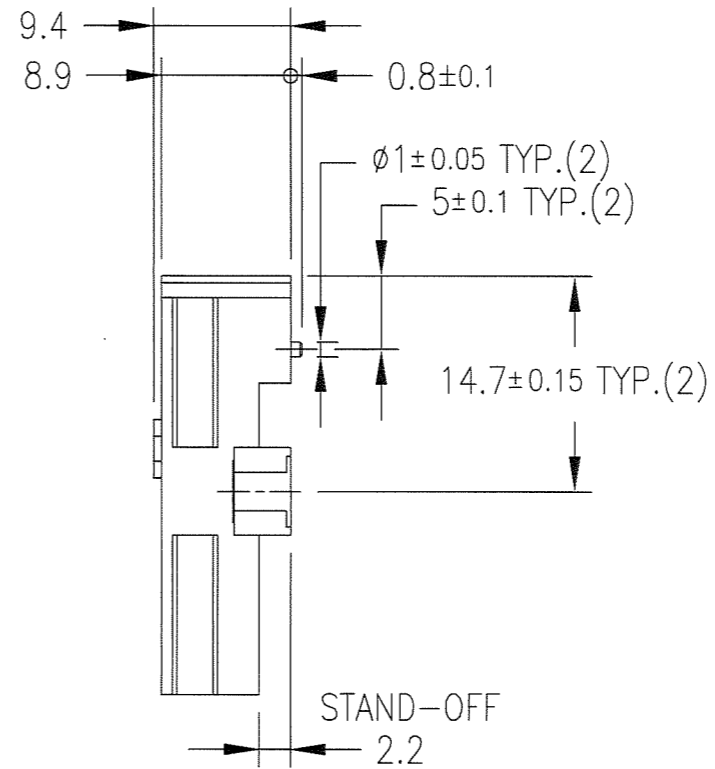
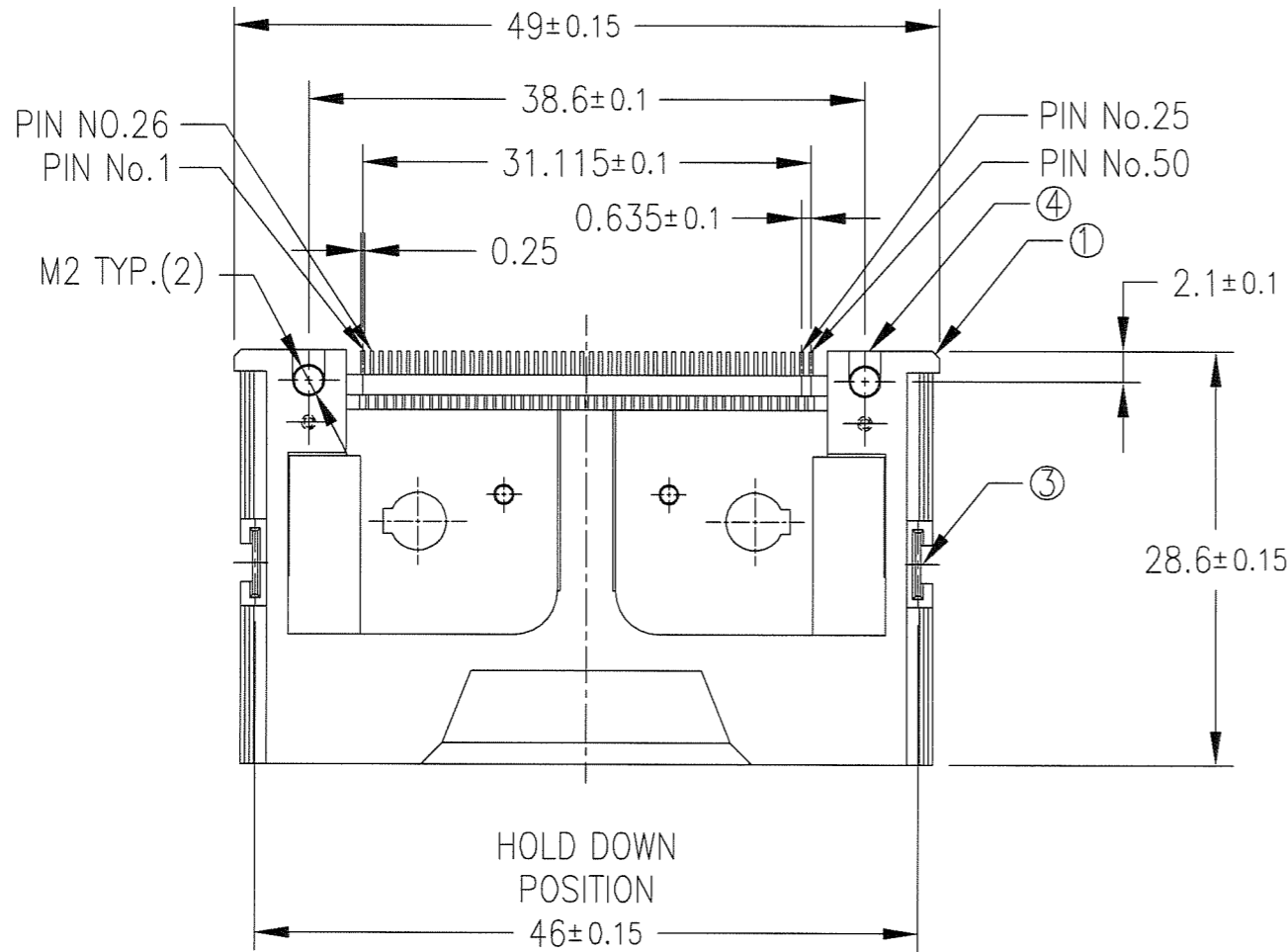
Tel: +86-755-8981 8866 Fax: +86-755-8427 6832

Email & Skype: info@chipsmall.com Web: www.chipsmall.com

Address: A1208, Overseas Decoration Building, #122 Zhenhua RD., Futian, Shenzhen, China



PRODUCT NO.	REMARKS
62453-022LF	WITH METAL PLATE(M2 SCREWS)



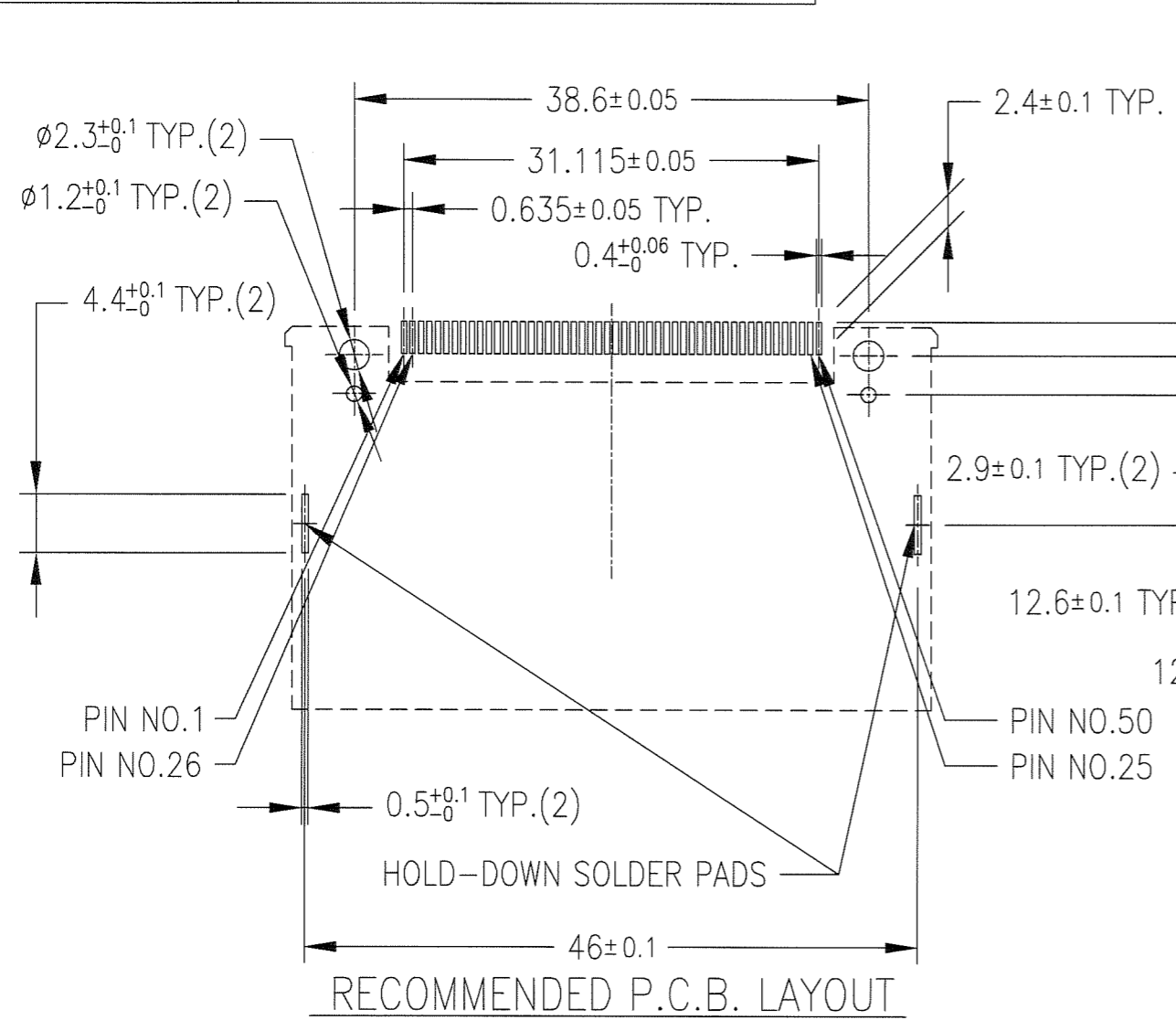
COMPONENT	MATERIAL	FINISH	QTY.
① HOUSING	FLAME RETARDANT RESIN	NONE (BLACK)	1
② PIN	PHOSPHOR BRONZE	UNDER : 1.0μm MIN. Ni CONTACT AREA : 0.2μm MIN. Au SOLDER TAIL : 0.05μm MIN. Au	50
③ HOLD DOWN	PHOSPHOR BRONZE	UNDER : 1.27μm MIN. Ni SOLDER TAIL : 2.0μm MIN. Sn	2
④ METAL PLATE	BRASS	2μm MIN. Ni	2

mat'l. code				surface		tolerance		projection		product family		CODE
---				ISO 1302		ISO 406		mm		5AZF - CF HEADER		JP
										title		
										COMPACT FLASH HDR		
										TOP MOUNT		
										dwg no		sheet 1 of 8
										62453		A3
										type		Product Customer Drawing
										Rev.		
										L		

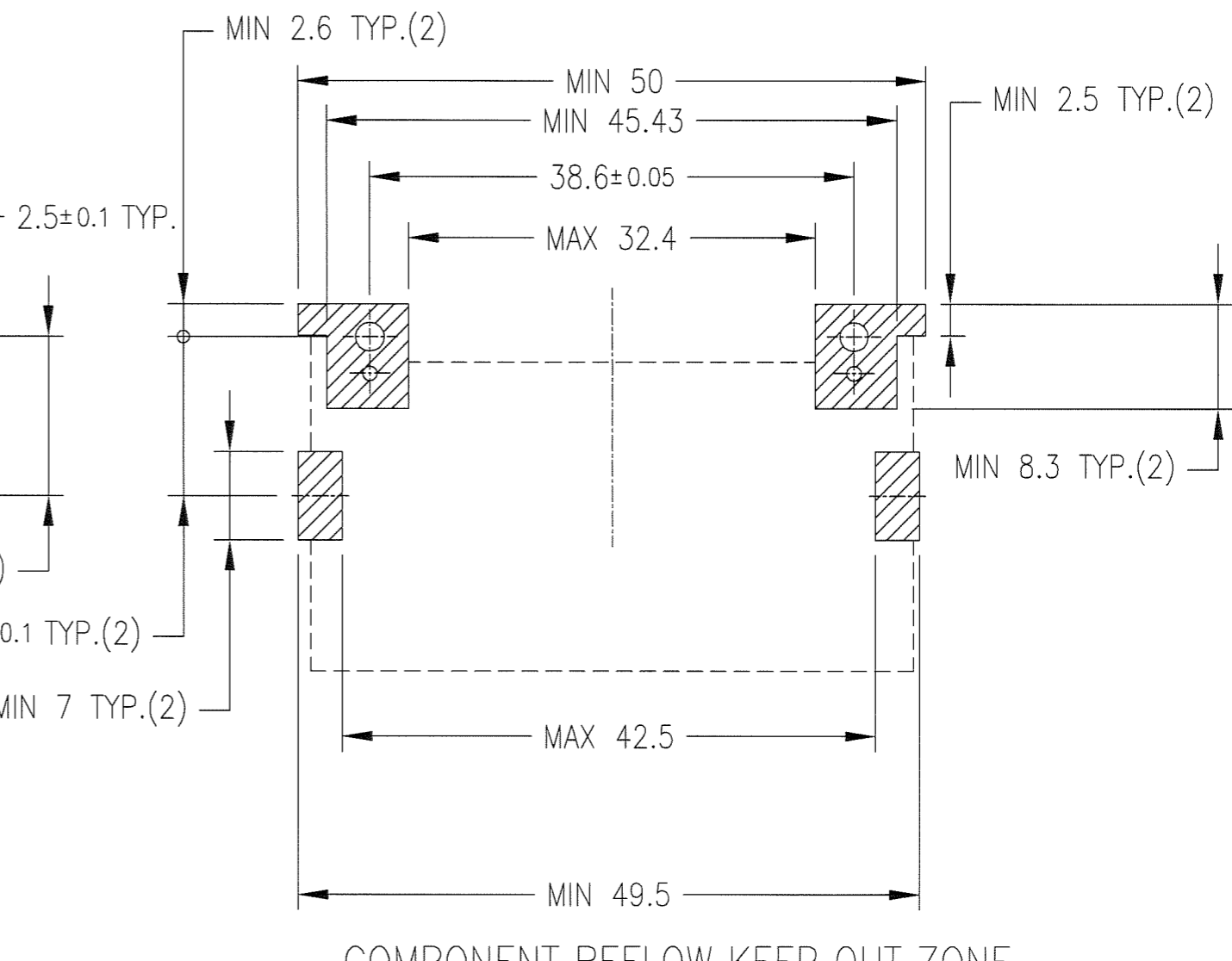
ltr	description	ecn no	dr	date	tolerances unless otherwise specified
F	ADDED SHEET 5,6	J04-0061	HS	2/18/04	0.X ±0.3
G	ADDED SHEET 7,8	J05-0357	M.H	6/16/05	0.XX ±0.3
H	REVISED	J05-0748	R.S	10/31/05	0.XXX ±0.3
J	REVISED	J06-0315	R.S	8/1/'06	dr S.WATANABE 7/28/08
K	REVISED	J06-0399	R.S	10/20/06	enr S.WATANABE 7/28/08
L	REVISED	J08-0316	S.W	7/28/08	chr S.WATANABE 2008-7-29

sheet index	revision sheet	L	J	E	E	E	E	E	E	E	E	E
		1	2	3	4	5	6	7	8			

PRODUCT NO.	REMARKS
62453-022LF	WITH METAL PLATE(M2 SCREWS)



RECOMMENDED P.C.B. LAYOUT

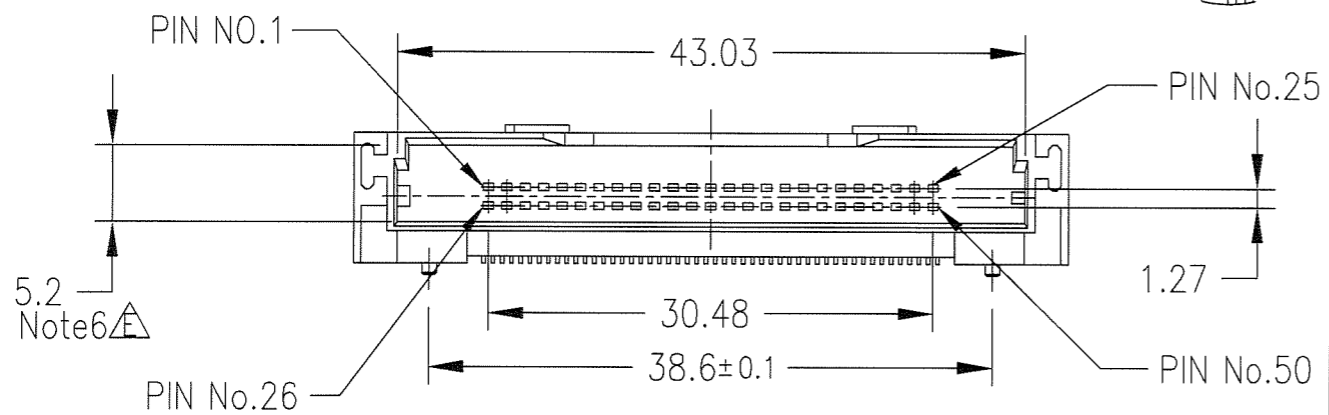
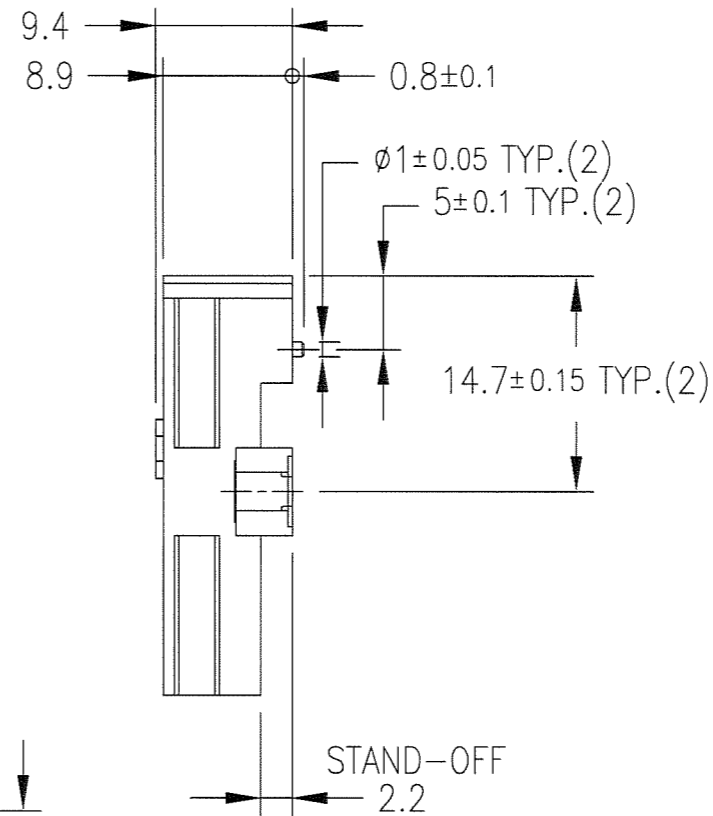
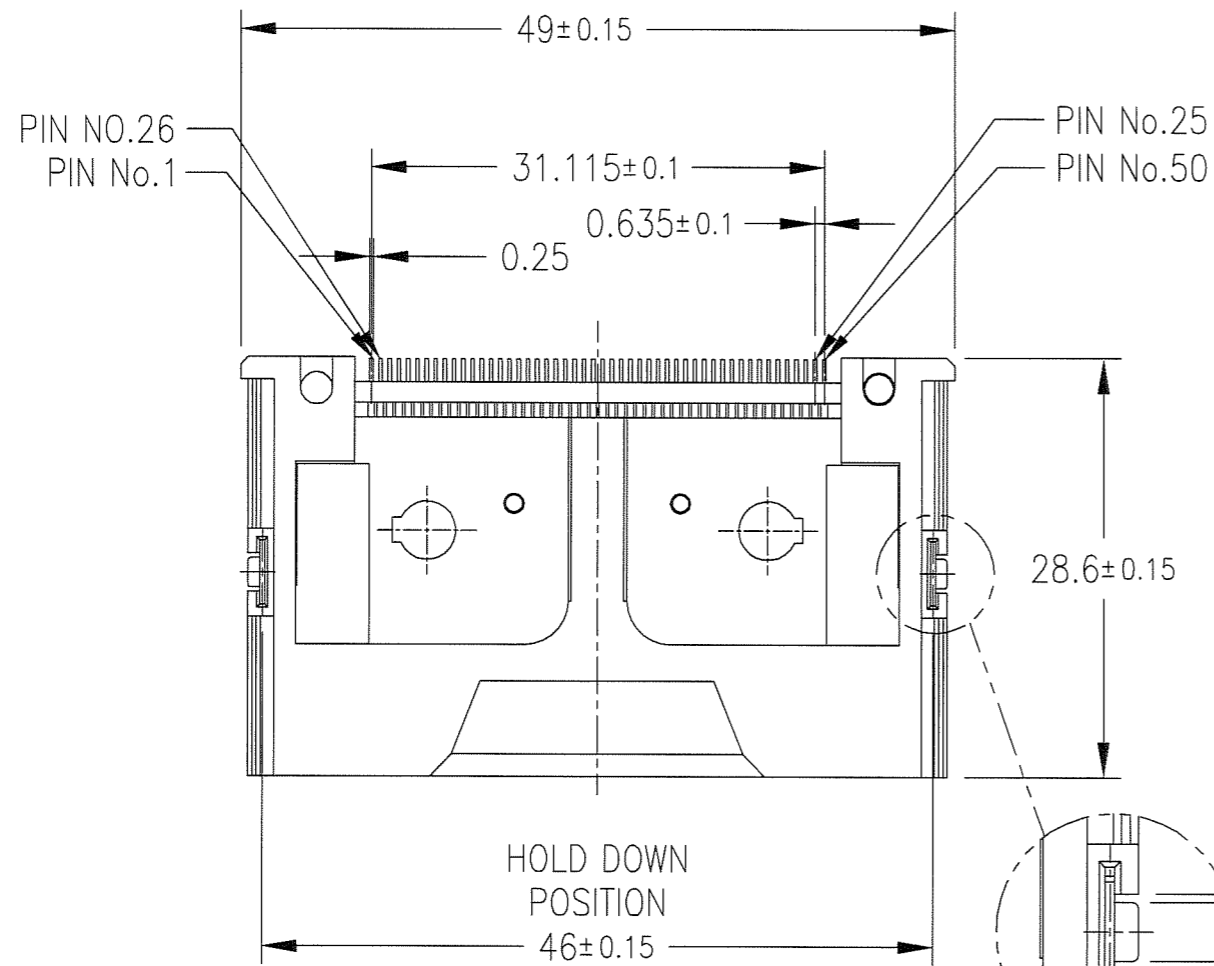


COMPONENT REFLOW KEEP OUT ZONE

- NOTE
- 1.PRODUCT SPECIFICATION : 110-404
 - 2.PACKAGING SPECIFICATION : GES-14-620
 - 3.RECOMMENDED TIGHTENING TORQUE : 0.127N.m [1.3kgf.cm]
 - 4.SOLDER TAIL CO-PLANARITY : MAX 0.1
 - 5.RECOMMENDED HOLD-DOWN SCREW
M 2mm X 6mm SCREWS
FOR 0.062in/1.57mm THICK PCB
 - 6,FOR LEAD FREE P/N, THE PRODUCT MEETS EUROPEAN UNION DIRECTIVES AND OTHER COUNTRY REGULATIONS AS DESCRIBED IN GS-22-008.
 - 7.THE HOUSING WILL WITHSTAND EXPOSURE TO 260°C PEAK TEMPERATURE FOR 10 SECONDS IN A CONVENTION, INTRA-RED OR VAPOR PHASE REFLOW OVEN.
 - 8.MEASURED AT THE BOTTOM.

mat'l. code				surface		tolerance		projection		product family		CODE
---				ISO 1302		ISO 406		mm		5AZF - CF HEADER		JP
						tolerances unless otherwise specified				title		
ltr	description	ecn no	dr	date	angles	linear	0.X	±0.3	COMPACT FLASH HDR			
D	REVISED	V20696	HS	5/15/02			0.XX	±0.3	TOP MOUNT			
E	ADDED SHEET 3,4	V20659	HS	12/25/02			0.XXX	±0.3	scale 2:1			
F	REVISED	J05-0748	R.S	10/31/05	0'±2'				dwg no			
G	REVISED	J06-0315	R.S	8/1/06	dr	S.WATANABE	7/28/08		sheet 2 of 8 size			
H	REVISED	J06-0399	R.S	10/20/06	engr	S.WATANABE	7/28/08		62453 A3			
J	REVISED	J08-0316	S.W	7/28/08	chr	J. Muddan	2008-7-29		type Product Customer Drawing			
sheet index		revision sheet										Rev.
												J

PRODUCT NO.	REMARKS
62453-122LF	WITHOUT METAL PLATE(M2 SCREWS)



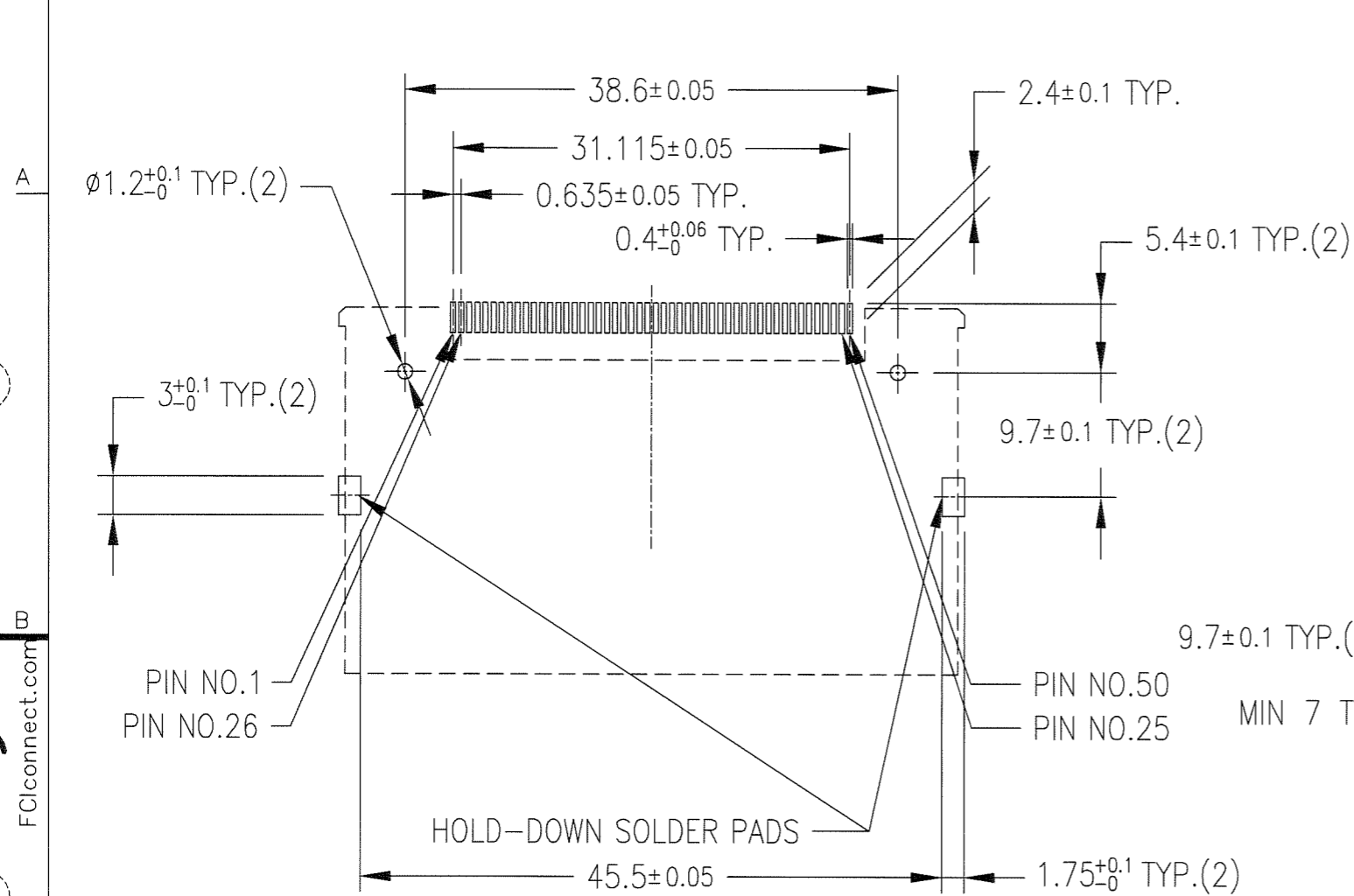
COMPONENT	MATERIAL	FINISH	QTY.
① HOUSING	FLAME RETARDANT RESIN	NONE (BLACK)	1
② PIN	PHOSPHOR BRONZE	UNDER : 1.0μm MIN. Ni CONTACT AREA : 0.2μm MIN. Au SOLDER TAIL : 0.05μm MIN. Au	50
③ HOLD DOWN	PHOSPHOR BRONZE	UNDER : 1.27μm MIN. Ni SOLDER TAIL : 2.0μm MIN. Sn	2

mat'l. code		surface		tolerance		projection		product family		CODE	
---		ISO 1302		ISO 406		mm		5AZF - CF HEADER		JP	
tolerances unless otherwise specified		angles		linear		scale 2:1		title		sheet 3 of 8 size	
A		B		C		D		COMPACT FLASH HDR		A3	
description		ecn no		dr		date		dwg no		Rev.	
RELEASED		J20659		HS		2/18/04		62453		E	
REVISED		J05-0748		R.S		10/31/05		type		Product Customer Drawing	
REVISED		J06-0315		R.S		8/1/06		FCJ			
REVISED		J06-0399		R.S		10/20/06		sheet 3 of 8 size			
REVISED		J08-0316		S.W		7/28/08		A3			
sheet index		revision sheet									

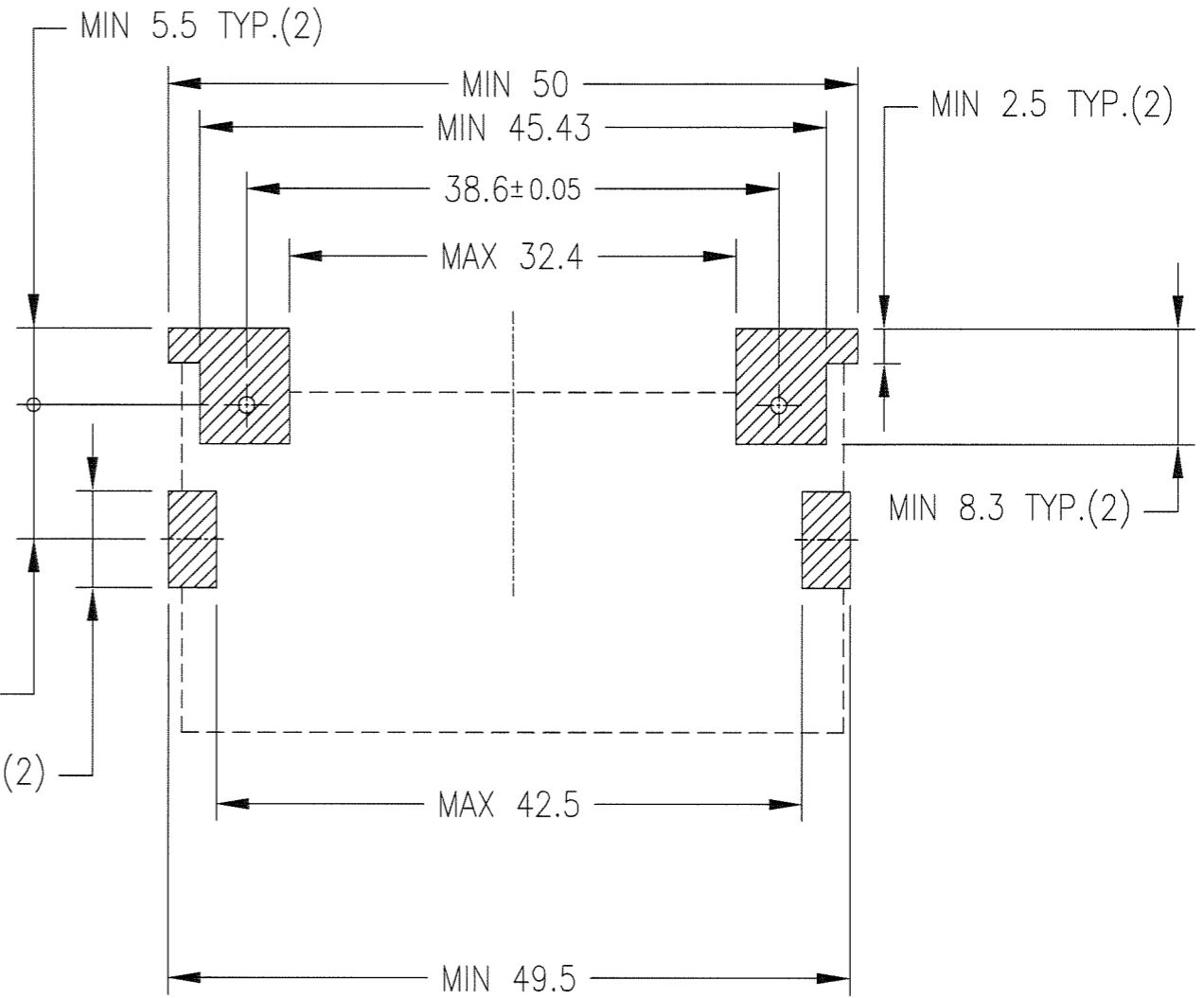
FCI
FCIconnect.com

Copyright FCI

PRODUCT NO.	REMARKS
62453-122LF	WITHOUT METAL PLATE(M2 SCREWS)



RECOMMENDED P.C.B. LAYOUT



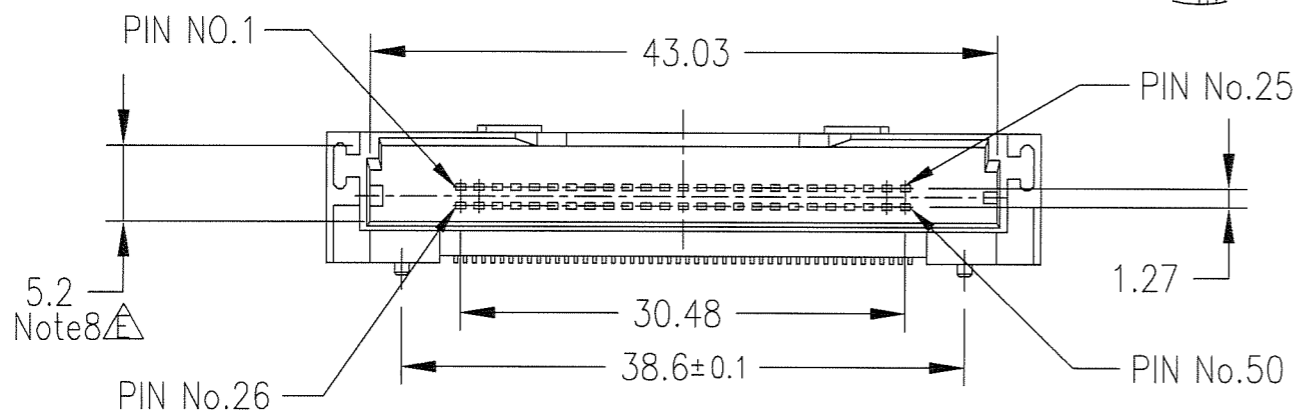
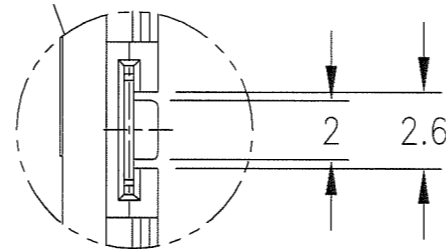
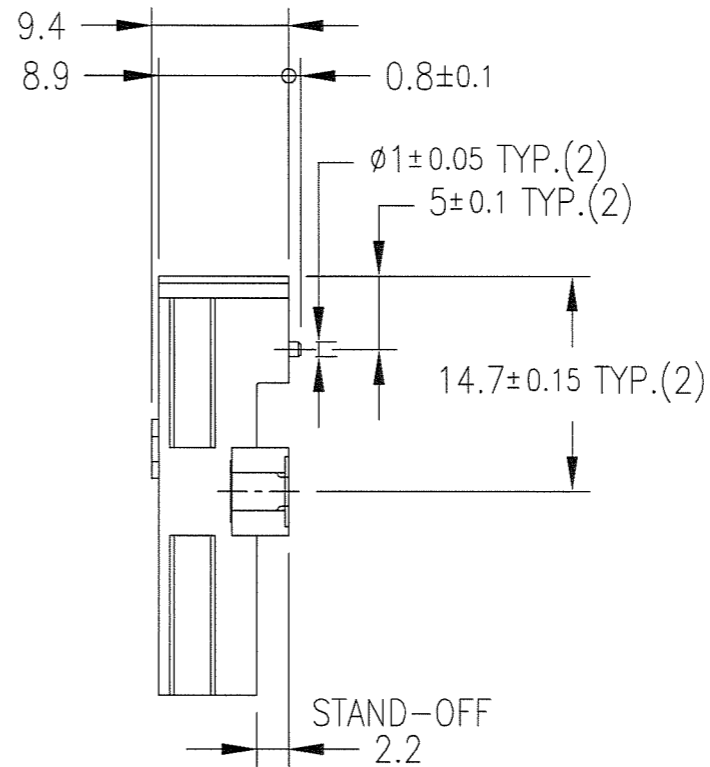
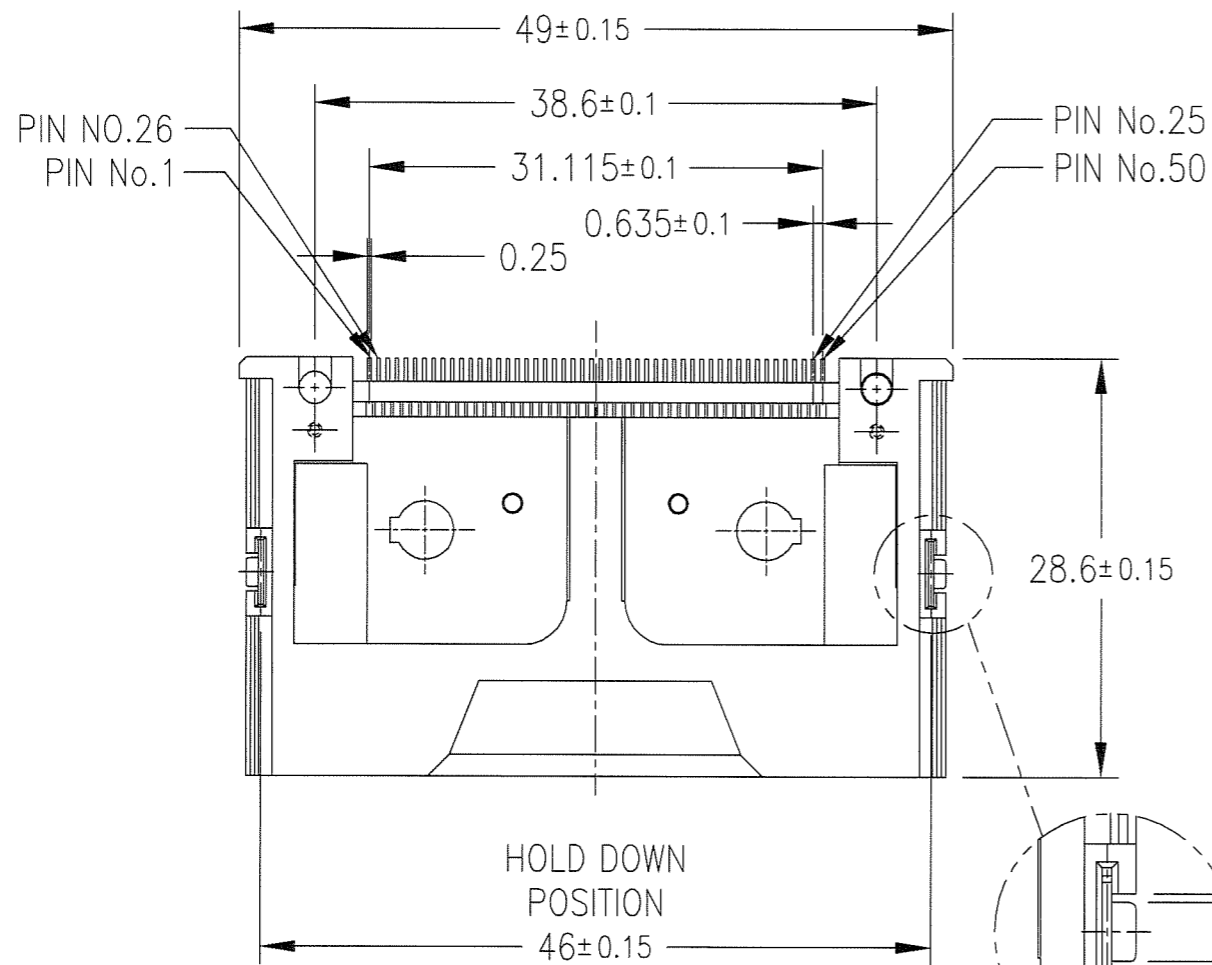
COMPONENT REFLOW KEEP OUT ZONE

NOTE

- 1.PRODUCT SPECIFICATION : 110-404
- 2.PACKAGING SPECIFICATION : GES-14-620
- 3.SOLDER TAIL CO-PLANARITY : MAX 0.1
- 4, FOR LEAD FREE P/N, THE PRODUCT MEETS EUROPEAN UNION DIRECTIVES AND OTHER COUNTRY REGULATIONS AS DESCRIBED IN GS-22-008.
- 5.THE HOUSING WILL WITHSTAND EXPOSURE TO 260°C PEAK TEMPERATURE FOR 10 SECONDS IN A CONVENTION, INTRA-RED OR VAPOR PHASE REFLOW OVEN.
- 6.MEASURED AT THE BOTTOM.

mat'l. code ---				surface ISO 1302 <input checked="" type="checkbox"/>		tolerance ISO 406 ISO 1101		projection 		product family 5AZF - CF HEADER		CODE JP
tolerances unless otherwise specified				angles		linear		mm		title COMPACT FLASH HDR TOP MOUNT		
ltr	description	ecn no	dr	date						scale 2:1		
1	RELEASED		HS	9/12/02			0.X	±0.3		sheet 4 of 8 size		
A	RELEASED	J20659	HS	12/25/02			0.XX	±0.3		62453 A3		
B	REVISED	J05-0748	R.S	10/31/05	0'±2'		0.XXX	±0.3		type Product Customer Drawing		
C	REVISED	J06-0315	R.S	8/1/'06	dr	S.WATANABE	7/28/08			Rev.		
D	REVISED	J06-0399	R.S	10/20/'06	enr	S.WATANABE	7/28/08			E		
E	REVISED	J08-0316	S.W	7/28/'08	chr	<i>S. Watanabe</i>	2008-7-29					
sheet index		revision sheet										

PRODUCT NO.	REMARKS
62453-222LF	WITH METAL PLATE(M2 SCREWS)



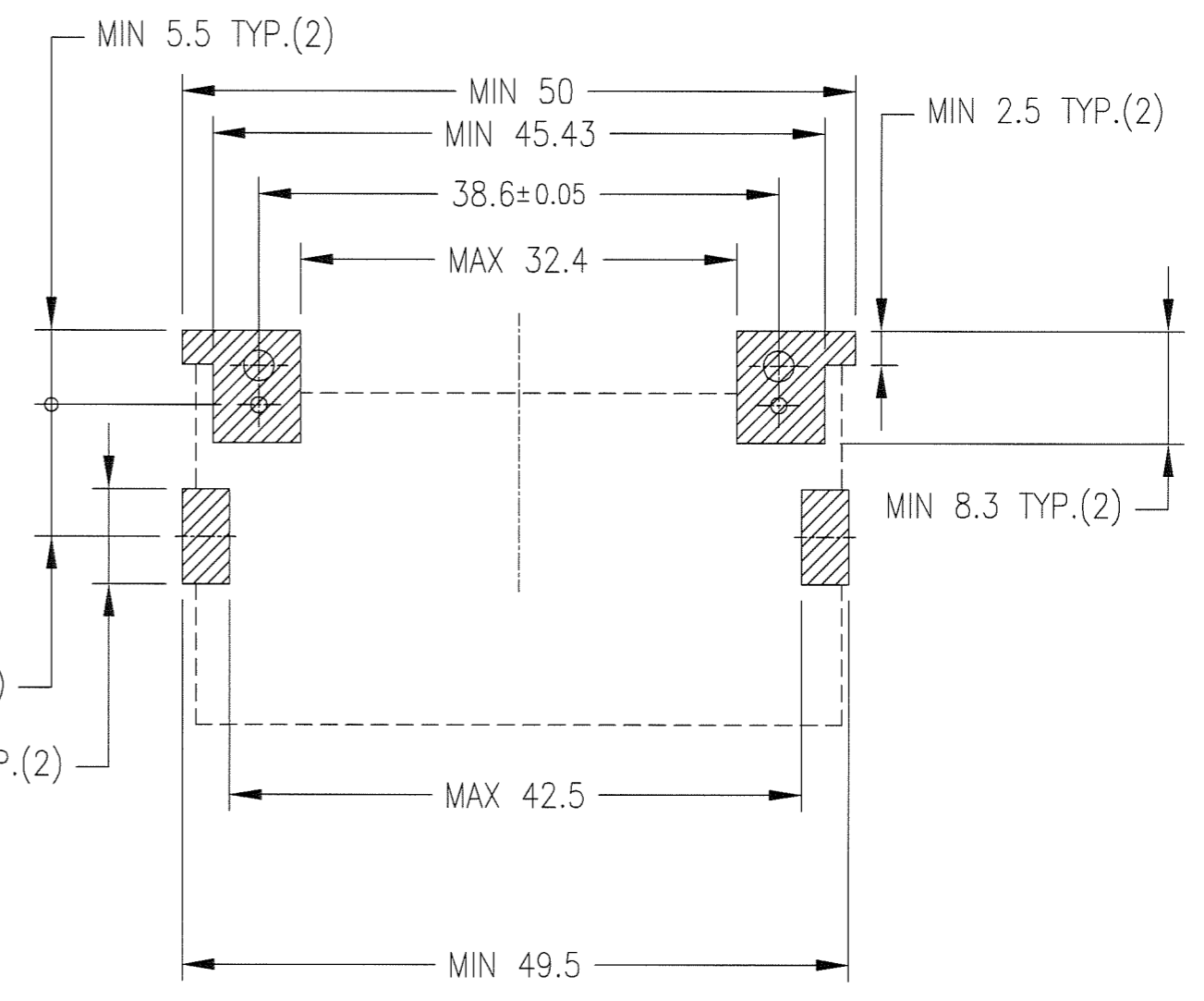
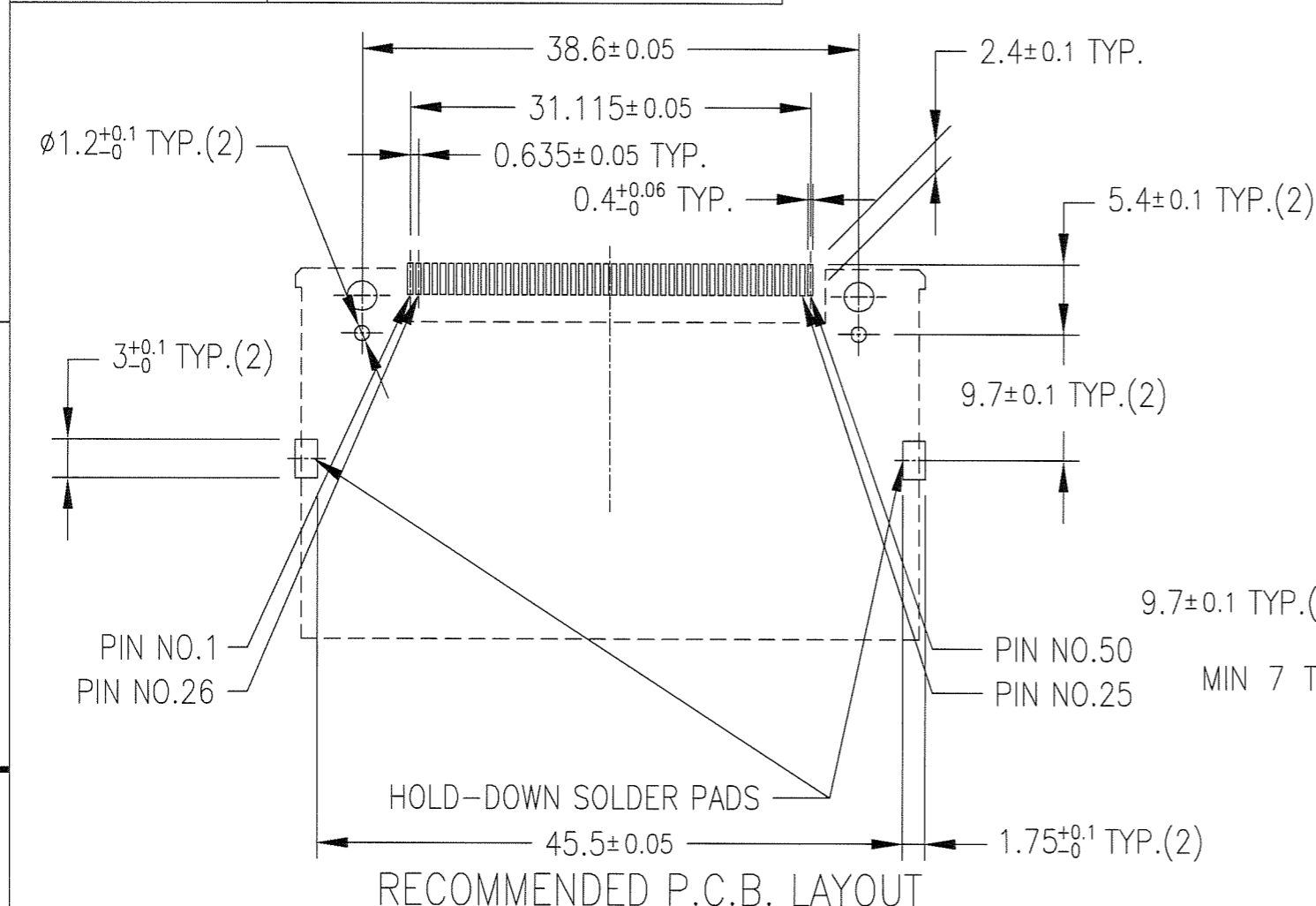
COMPONENT	MATERIAL	FINISH	QTY.
① HOUSING	FLAME RETARDANT RESIN	NONE (BLACK)	1
② PIN	PHOSPHOR BRONZE	UNDER : 1.0μm MIN. Ni CONTACT AREA : 0.2μm MIN. Au SOLDER TAIL : 0.05μm MIN. Au	50
③ HOLD DOWN	PHOSPHOR BRONZE	UNDER : 1.27μm MIN. Ni SOLDER TAIL : 2.0μm MIN. Sn	2
④ METAL PLATE	BRASS	2μm MIN. Ni	2

mat'l. code		surface		tolerance		projection		product family		CODE	
---		ISO 1302 <input checked="" type="checkbox"/>		ISO 406				5AZF - CF HEADER		JP	
				ISO 1101		mm		title			
				tolerances unless otherwise specified		scale 2:1		COMPACT FLASH HDR			
				angles				TOP MOUNT			
				linear				dwg no		sheet 5 of 8 size	
				0'±2'				62453		A3	
				0.X ±0.3				type		Product Customer Drawing	
				0.XX ±0.3				Rev.			
				0.XXX ±0.3				E			
				dr		S.WATANABE 7/28/'08					
				enr		S.WATANABE 7/28/'08					
				chr		2008-7-29					
				appd		2008-7-29					
sheet		revision									
index		sheet									

FCJ
FCIconnect.com

Copyright FCI

PRODUCT NO.	REMARKS
62453-222LF	WITH METAL PLATE(M2 SCREWS)



RECOMMENDED P.C.B. LAYOUT

COMPONENT REFLOW KEEP OUT ZONE

NOTE

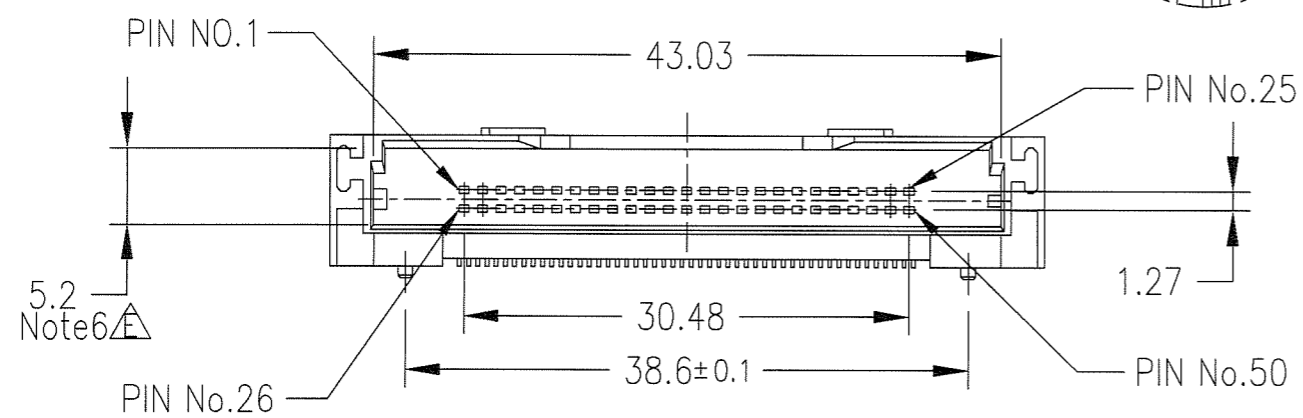
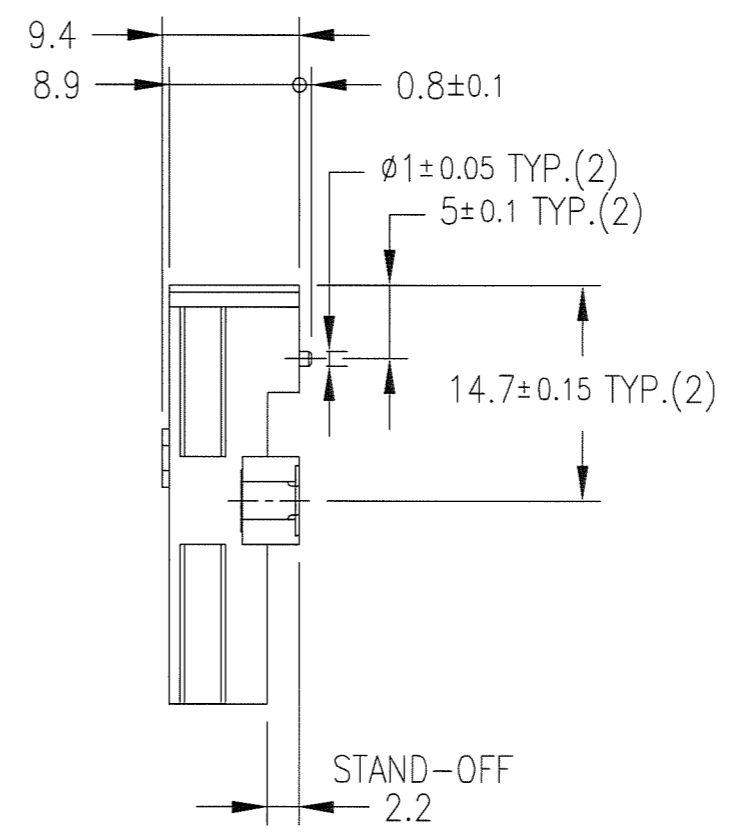
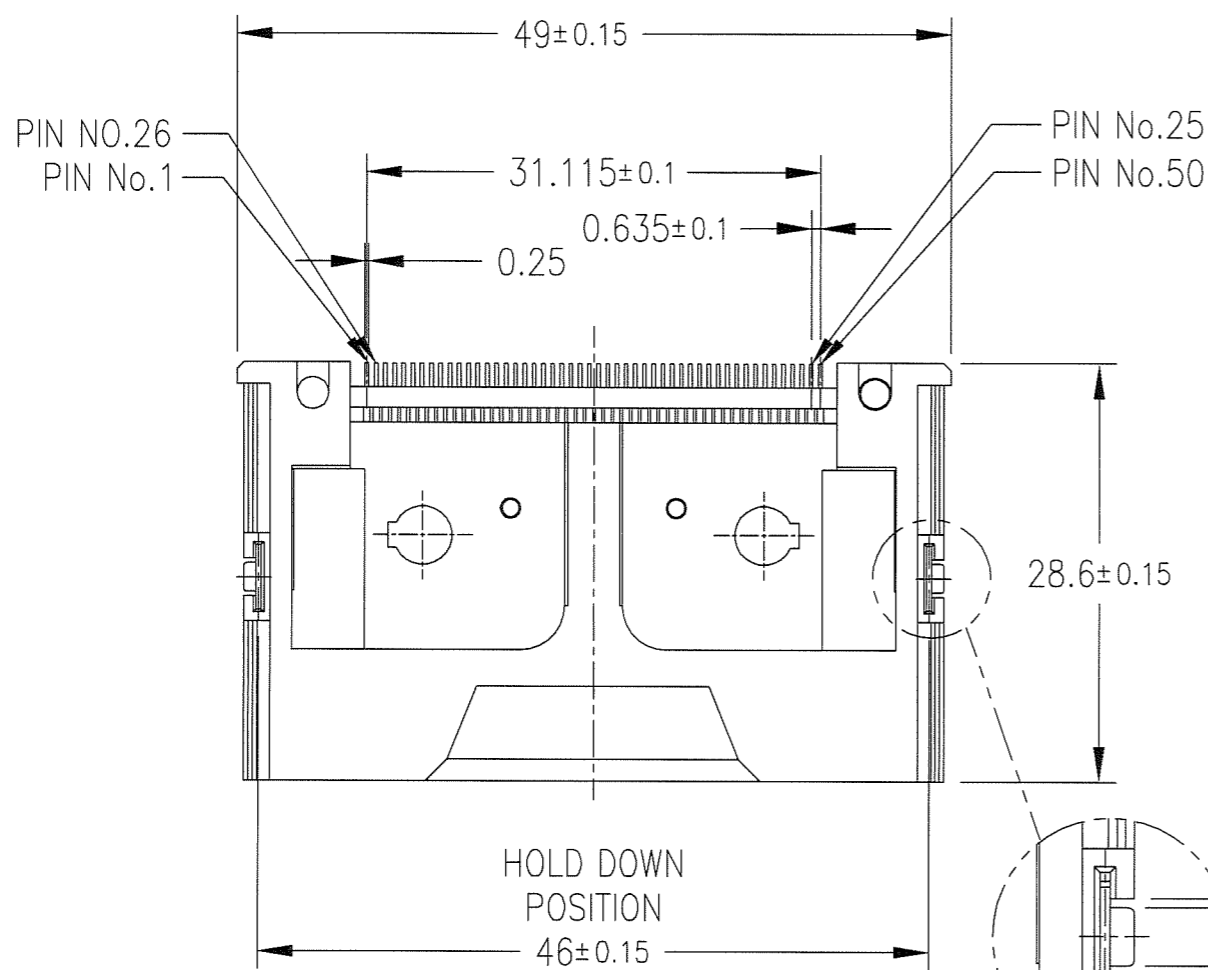
- 1.PRODUCT SPECIFICATION : 110-404
- 2.PACKAGING SPECIFICATION : GES-14-620
- 3.RECOMMENDED TIGHTENING TORQUE : 0.127N.m [1.3kgf.cm]
- 4.SOLDER TAIL CO-PLANARITY : MAX 0.1
- 5.RECOMMENDED HOLD-DOWN SCREW
M 2mm X 6mm SCREWS(FCI P/N ; 95121-001)
FOR 0.062in/1.57mm THICK PCB
- 6,FOR LEAD FREE P/N, THE PRODUCT MEETS EUROPEAN UNION DIRECTIVES AND OTHER COUNTRY REGULATIONS AS DESCRIBED IN GS-22-008.
- 7.THE HOUSING WILL WITHSTAND EXPOSURE TO 260°C PEAK TEMPERATURE FOR 10 SECONDS IN A CONVENTION, INTRA-RED OR VAPOR PHASE REFLOW OVEN.
- 8.MEASURED AT THE BOTTOM.

mat'l. code				surface		tolerance		projection		product family		CODE
---				ISO 1302		ISO 406		mm		5AZF - CF HEADER		JP
						ISO 1101				title		
ltr	description	ecn no	dr	date	tolerances unless otherwise specified		mm		COMPACT FLASH HDR			
1	RELEASED		HS	9/12/02	angles	linear	0.X	±0.3	TOP MOUNT			
A	RELEASED	J20659	HS	12/25/02			0.XX	±0.3				
B	REVISED	J05-0748	R.S	10/31/05	0'±2'		0.XXX	±0.3	scale 2:1			
C	REVISED	J06-0315	R.S	8/1/06	dr	S.WATANABE	7/28/08			sheet 6 of 8 size		
D	REVISED	J06-0399	R.S	10/20/06	enr	S.WATANABE	7/28/08			62453 A3		
E	REVISED	J08-0316	S.W	7/28/08	chr					type Product Customer Drawing		
sheet index		revision sheet								Rev. E		



Copyright FCI

PRODUCT NO.	REMARKS
62453-622LF	WITHOUT METAL PLATE(M2 SCREWS)




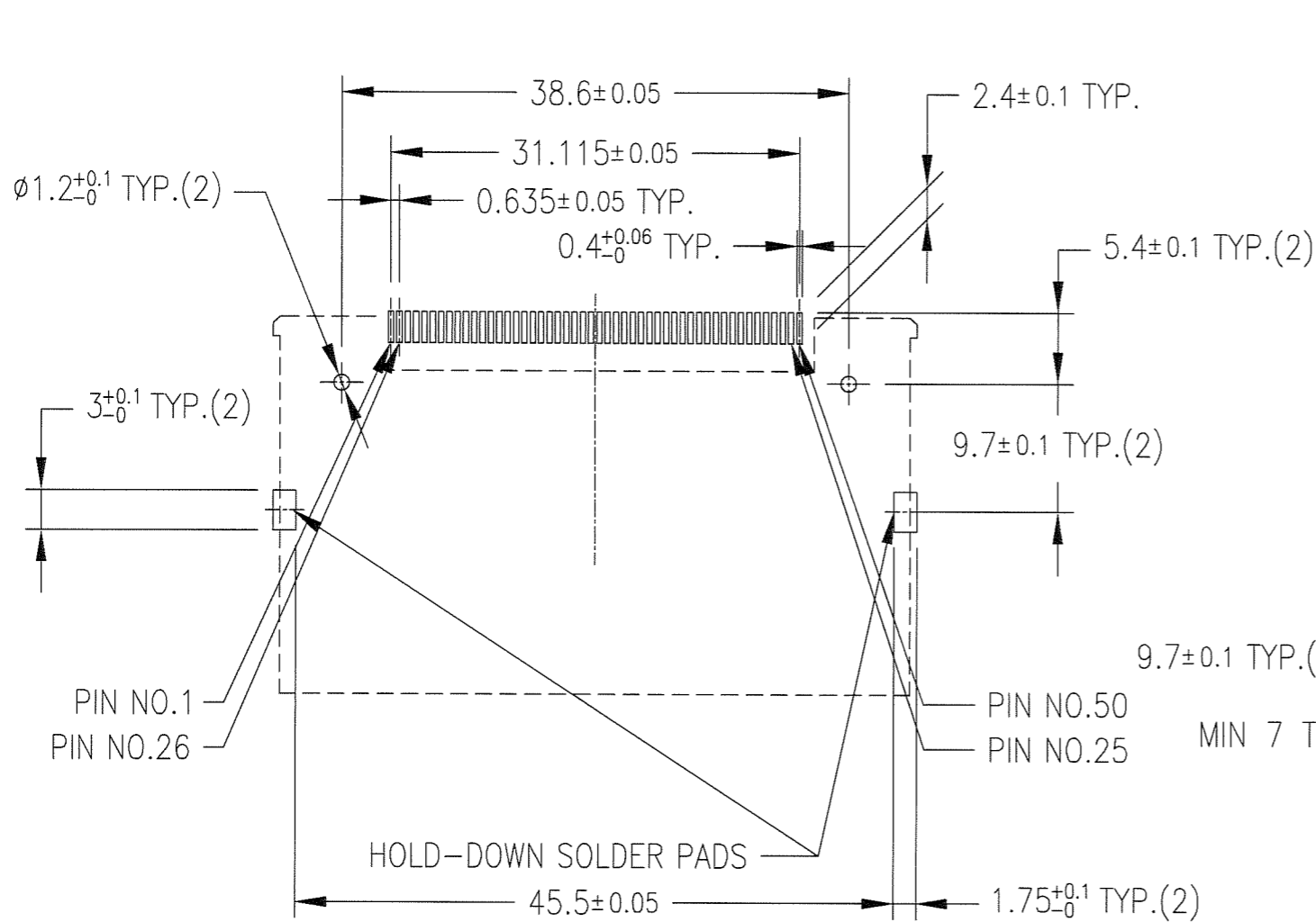
COMPONENT	MATERIAL	FINISH	QTY.
① HOUSING	FLAME RETARDANT RESIN	NONE (BLACK)	1
② PIN	PHOSPHOR BRONZE	UNDER : 1.0μm MIN. Ni CONTACT AREA : 0.76μm MIN. Au SOLDER TAIL : 0.05μm MIN. Au	50
③ HOLD DOWN	PHOSPHOR BRONZE	UNDER : 1.27μm MIN. Ni SOLDER TAIL : 2.0μm MIN. Sn	2

mat'l. code		surface		tolerance		projection		product family		CODE	
---		ISO 1302 <input checked="" type="checkbox"/>		ISO 406				5AZF - CF HEADER		JP	
				tolerances unless otherwise specified				title			
ltr	description	ecn no	dr	date	angles	linear	mm	COMPACT FLASH HDR			
A	RELEASED	J05-0357	M.H	6/16/05		0.X ±0.3		TOP MOUNT			
B	REVISED	J05-0748	R.S	10/31/05		0.XX ±0.3					
C	REVISED	J06-0315	R.S	8/1/06	0°±2'	0.XXX ±0.3	scale 2:1				
D	REVISED	J06-0399	R.S	10/20/06	dr	S.WATANABE	7/28/08	dwg no		sheet 7 of 8 size	
E	REVISED	J08-0316	S.W	7/28/08	enr	S.WATANABE	7/28/08	62453		A3	
								type		Product Customer Drawing	
sheet index		revision sheet								Rev. E	

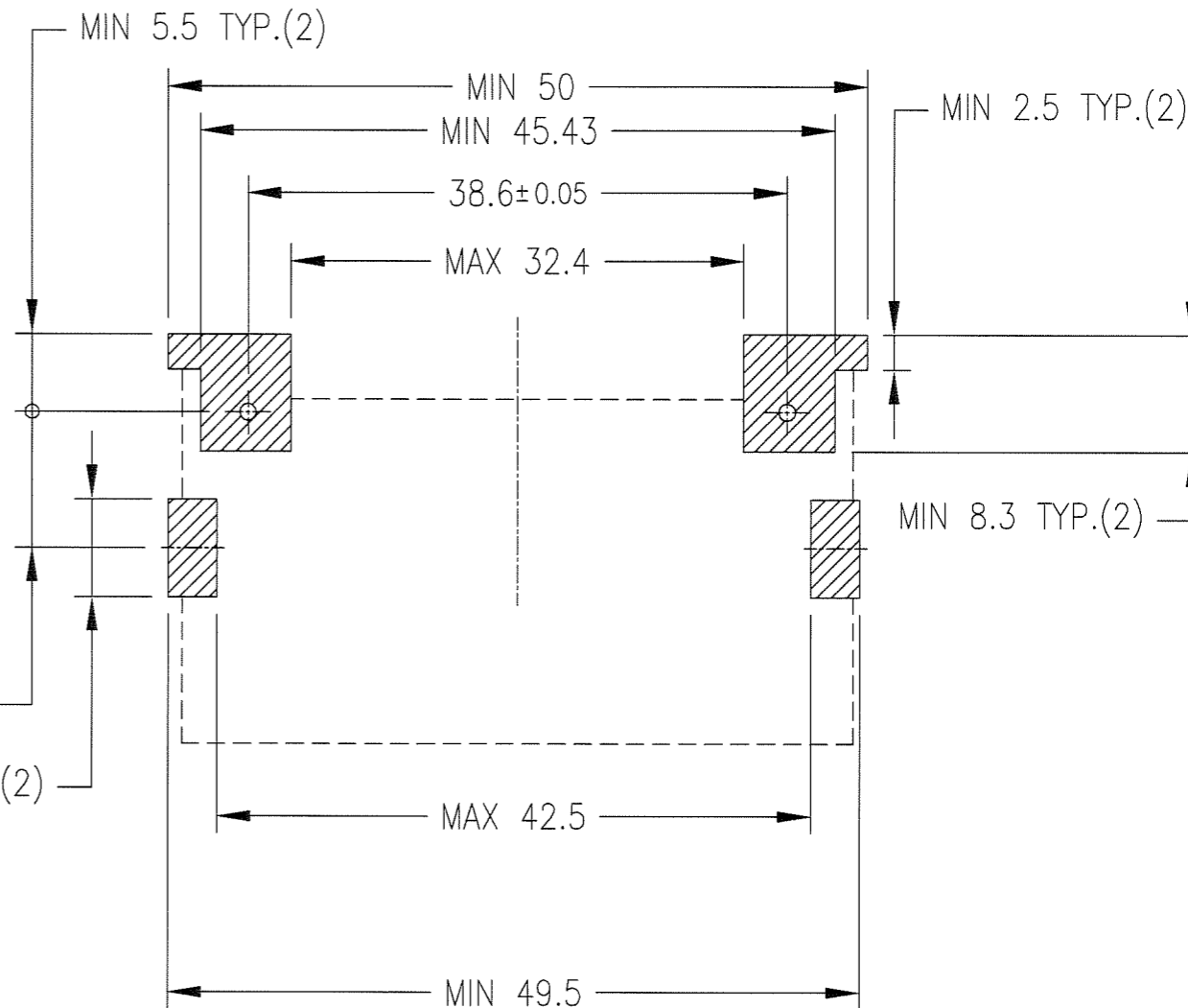


Copyright FCI

PRODUCT NO.	REMARKS
62453-622LF	WITHOUT METAL PLATE(M2 SCREWS) 





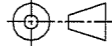

RECOMMENDED P.C.B. LAYOUT



COMPONENT REFLOW KEEP OUT ZONE

NOTE

- 1.PRODUCT SPECIFICATION : 110-404
- 2.PACKAGING SPECIFICATION : GES-14-620
- 3.SOLDER TAIL CO-PLANARITY : MAX 0.1
- 4, FOR LEAD FREE P/N, THE PRODUCT MEETS EUROPEAN UNION DIRECTIVES AND OTHER COUNTRY REGULATIONS AS DESCRIBED IN GS-22-008.
-  5.THE HOUSING WILL WITHSTAND EXPOSURE TO 260°C PEAK TEMPERATURE FOR 10 SECONDS IN A CONVENTION, INTRA-RED OR VAPOR PHASE REFLOW OVEN.
-  6.MEASURED AT THE BOTTOM.

mat'l. code ---				surface ISO 1302 <input checked="" type="checkbox"/>		tolerance ISO 406 ISO 1101		projection 		product family 5AZF - CF HEADER		CODE JP
ltr	description	ecn no	dr	date	tolerances unless otherwise specified		mm		title COMPACT FLASH HDR TOP MOUNT			
A	RELEASED	J05-0357	M.H	6/16/05	angles	linear	0.X	±0.3	scale 2:1			
B	REVISED	J05-0748	R.S	10/31/05			0.XX	±0.3				
C	REVISED	J06-0315	R.S	8/1/06	0°±2'		0.XXX	±0.3	dwg no			
D	REVISED	J06-0399	R.S	10/20/06	dr	S.WATANABE	7/28/08			sheet 8 of 8		size
E	REVISED	J08-0316	S.W	7/28/08	enr	S.WATANABE	7/28/08			62453		A3
					chr	2008-7-29		type		Product Customer Drawing		
					appd	2008-7-29				Rev.		
sheet index		revision sheet										