



Chipsmall Limited consists of a professional team with an average of over 10 year of expertise in the distribution of electronic components. Based in Hongkong, we have already established firm and mutual-benefit business relationships with customers from,Europe,America and south Asia,supplying obsolete and hard-to-find components to meet their specific needs.

With the principle of "Quality Parts,Customers Priority,Honest Operation,and Considerate Service",our business mainly focus on the distribution of electronic components. Line cards we deal with include Microchip,ALPS,ROHM,Xilinx,Pulse,ON,Everlight and Freescale. Main products comprise IC,Modules,Potentiometer,IC Socket,Relay,Connector.Our parts cover such applications as commercial,industrial, and automotives areas.

We are looking forward to setting up business relationship with you and hope to provide you with the best service and solution. Let us make a better world for our industry!



Contact us

Tel: +86-755-8981 8866 Fax: +86-755-8427 6832

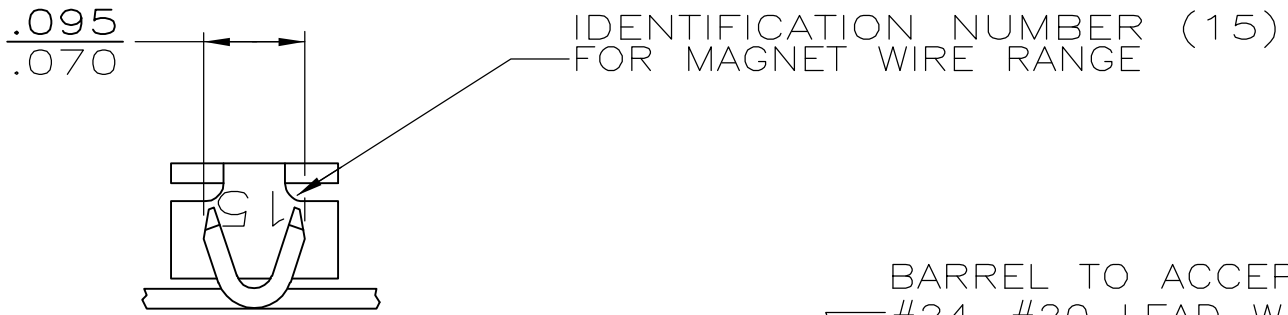
Email & Skype: info@chipsmall.com Web: www.chipsmall.com

Address: A1208, Overseas Decoration Building, #122 Zhenhua RD., Futian, Shenzhen, China



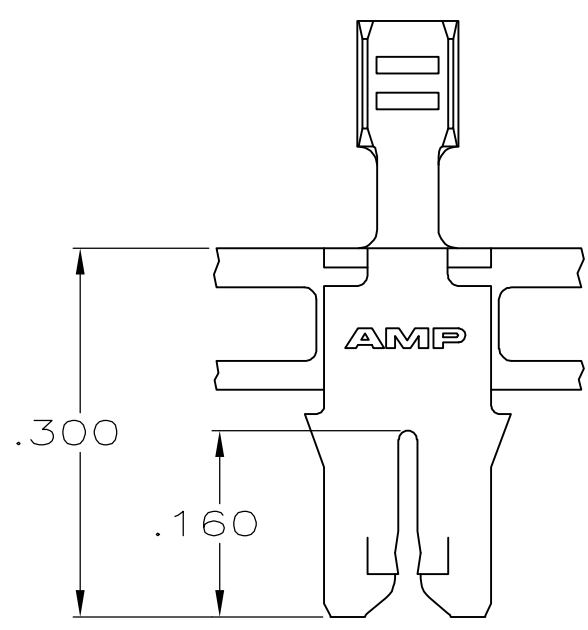
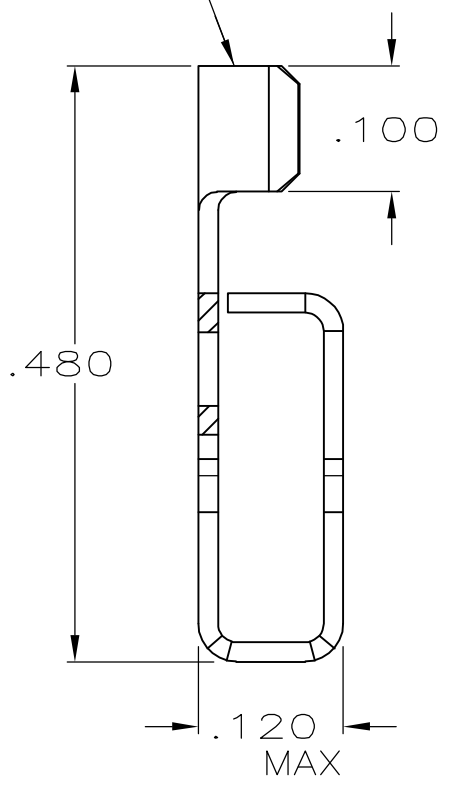
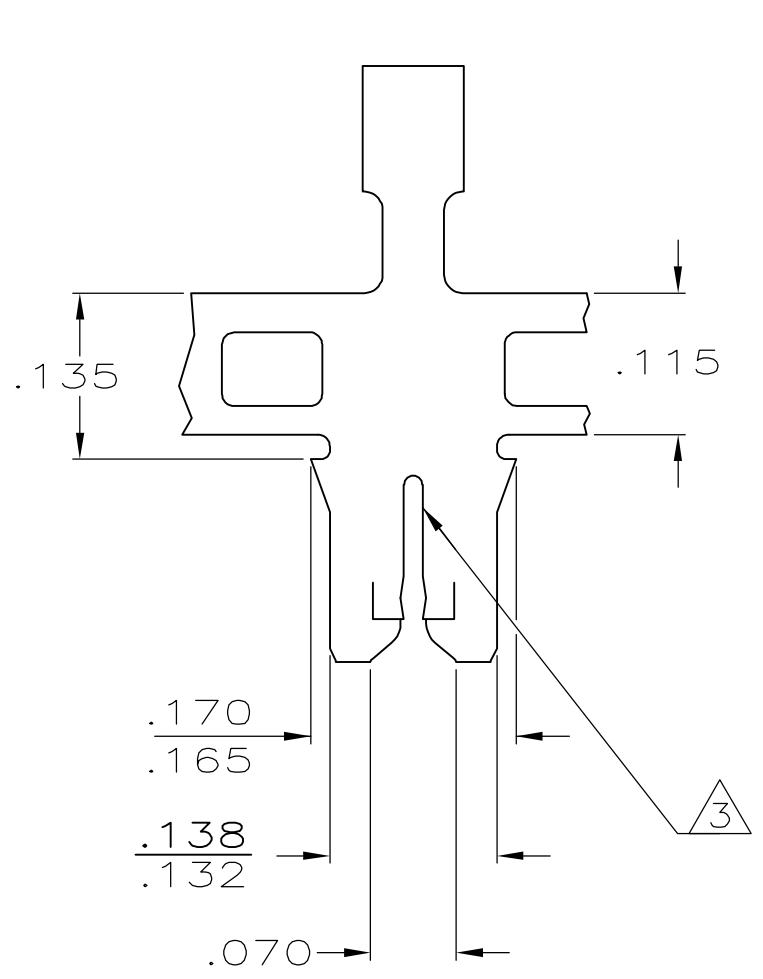
THIS DRAWING IS UNPUBLISHED. RELEASED FOR PUBLICATION
 © COPYRIGHT - BY TYCO ELECTRONICS CORPORATION. ALL RIGHTS RESERVED.

LOC	DIST	REVISIONS			
P	LTR	DESCRIPTION	DATE	DWN	APVD
AF	50	R	REV PER 0G3A-0745-04	08OCT2004	RF KR



- 1 CONTINUOUS STRIP ON REELS WITH TERMINALS LOCATED ON .220 CENTERS.
- 2 FOR MATING CAVITY SPECIFICATIONS.
- 3 SLOT ACCEPTS #22-#20 COPPER MAGNET WIRE.

BARREL TO ACCEPT #24-#20 LEAD WIRE



62458-1
PART NUMBER

THIS DRAWING IS A CONTROLLED DOCUMENT.		DWN T.L. BARBER 4/8/87	Tyco Electronics Corporation Harrisburg, PA 17105-3608		
DIMENSIONS: INCHES		CHK G. YETTER 4/8/87	NAME		
		APVD -	PRODUCT SPEC		
TOLERANCES UNLESS OTHERWISE SPECIFIED:		APPLICATION SPEC	TERMINAL, 'F' CRIMP, INTERCONNECT, MAG-MATE		
0 PLC ± -		114-2046	SIZE	CAGE CODE	DRAWING NO
1 PLC ± -		WEIGHT	A3	00779	62458
2 PLC ± -		RESTRICTED TO			
3 PLC ± .015		-			
4 PLC ± -		CUSTOMER DRAWING			
ANGLES ± -		SCALE 1:1 SHEET 1 OF 1 REV R			
FINISH		-			
MATERIAL		-			
.016 H04 BRASS		TIN .000080 MIN			