



Chipsmall Limited consists of a professional team with an average of over 10 year of expertise in the distribution of electronic components. Based in Hongkong, we have already established firm and mutual-benefit business relationships with customers from,Europe,America and south Asia,supplying obsolete and hard-to-find components to meet their specific needs.

With the principle of "Quality Parts,Customers Priority,Honest Operation,and Considerate Service",our business mainly focus on the distribution of electronic components. Line cards we deal with include Microchip,ALPS,ROHM,Xilinx,Pulse,ON,Everlight and Freescale. Main products comprise IC,Modules,Potentiometer,IC Socket,Relay,Connector.Our parts cover such applications as commercial,industrial, and automotives areas.

We are looking forward to setting up business relationship with you and hope to provide you with the best service and solution. Let us make a better world for our industry!



## Contact us

Tel: +86-755-8981 8866 Fax: +86-755-8427 6832

Email & Skype: info@chipsmall.com Web: www.chipsmall.com

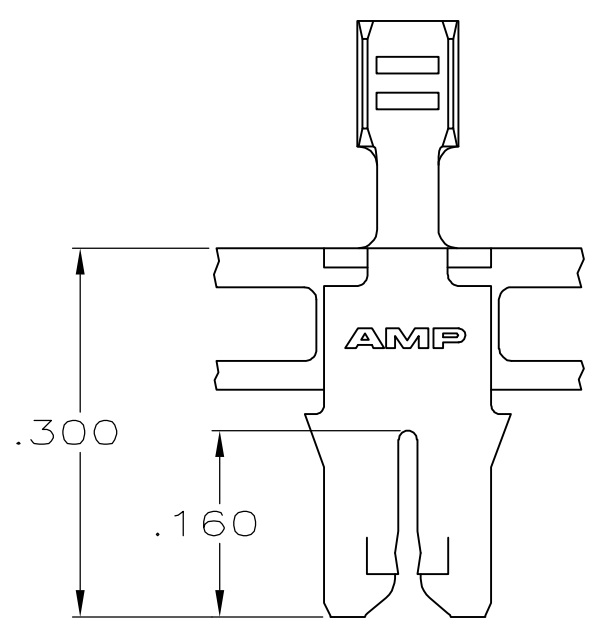
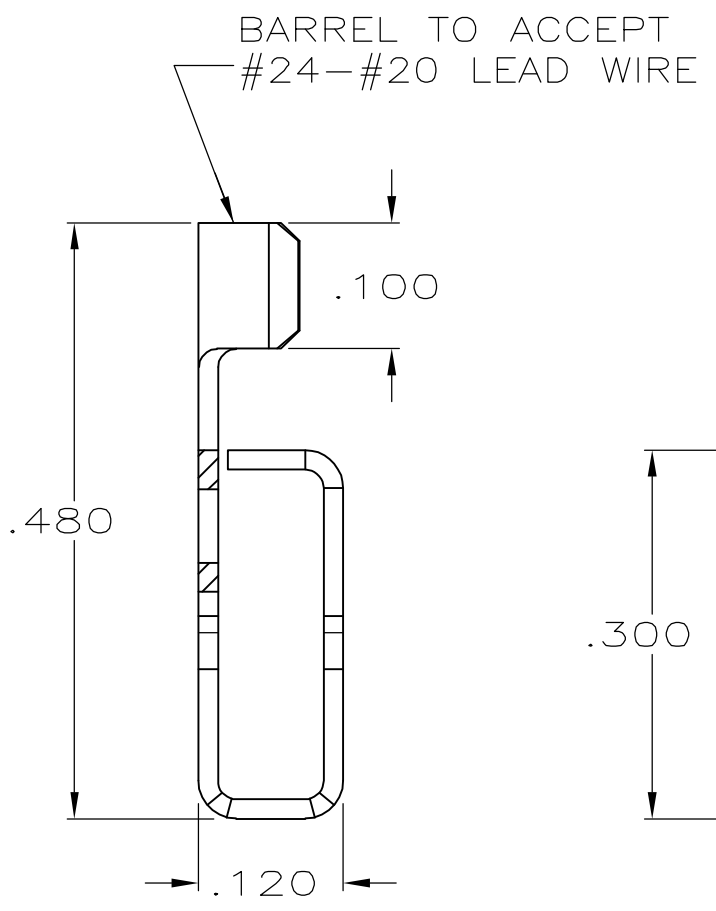
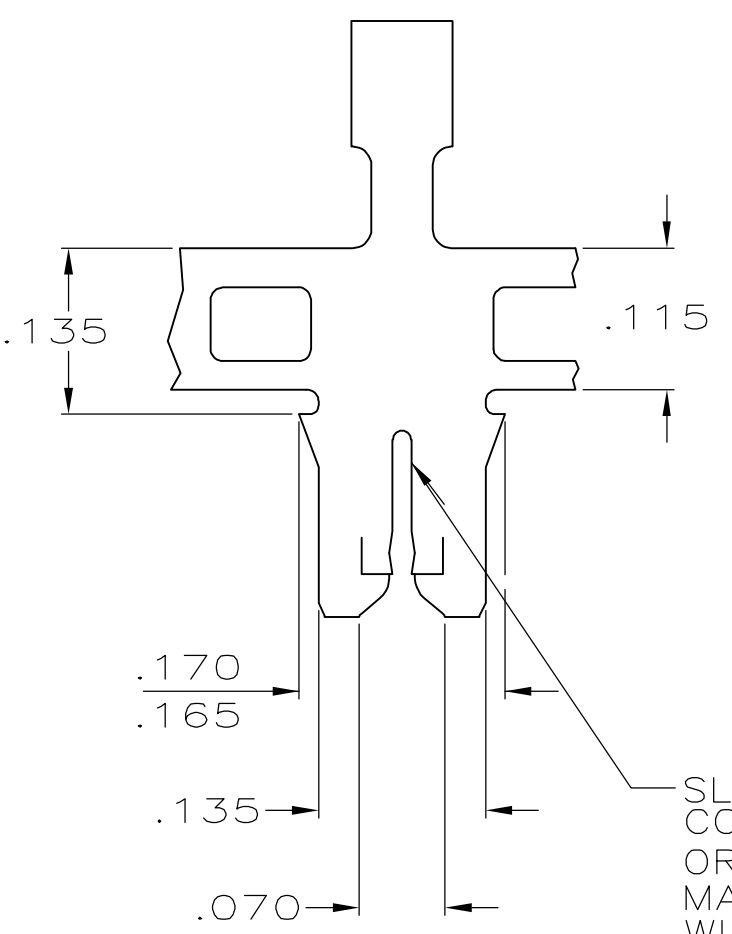
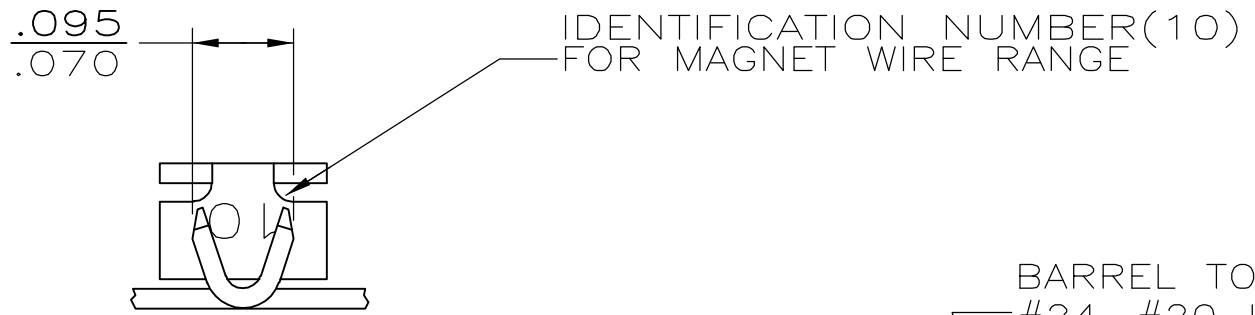
Address: A1208, Overseas Decoration Building, #122 Zhenhua RD., Futian, Shenzhen, China



THIS DRAWING IS UNPUBLISHED. RELEASED FOR PUBLICATION  
 © COPYRIGHT BY TYCO ELECTRONICS CORPORATION. ALL RIGHTS RESERVED.

LOC	DIST	REVISIONS					
AF	50	P	LTR	DESCRIPTION	DATE	DWN	APVD
			M	REV PER 0G3A-0745-04	08OCT2004	RF	KR

- CONTINUOUS STRIP ON REELS WITH TERMINALS LOCATED ON .220 CENTERS.
- FOR MATING CAVITY SPECIFICATIONS.



SLOT ACCEPTS #23-#27 COPPER MAGNET WIRE OR #24-#22 ALUMINUM MAGNET WIRE (SINGLE WIRE ONLY FOR #22 ALUMINUM WIRE RANGE).

THIS DRAWING IS A CONTROLLED DOCUMENT.		DWN	T.L. BARBER	4/8/87	 Tyco Electronics Corporation Harrisburg, PA 17105-3608								
DIMENSIONS: INCHES		CHK	G. YETTER	4/8/04									
TOLERANCES UNLESS OTHERWISE SPECIFIED:		APVD	N. E. NELSON	4/8/87									
0 PLC ± - 1 PLC ± - 2 PLC ± - 3 PLC ± .015 4 PLC ± - ANGLES ± -		PRODUCT SPEC		NAME		TERMINAL, 'F' CRIMP, MAG-MATE							
MATERIAL	.016 H04 BRASS	FINISH	TIN	APPLICATION SPEC	114-2046	SIZE	A3	CAGE CODE	00779	DRAWING NO	C-62459	RESTRICTED TO	-
CUSTOMER DRAWING						SCALE	1:1	SHEET	1	OF	1	REV	M