



Chipsmall Limited consists of a professional team with an average of over 10 year of expertise in the distribution of electronic components. Based in Hongkong, we have already established firm and mutual-benefit business relationships with customers from,Europe,America and south Asia,supplying obsolete and hard-to-find components to meet their specific needs.

With the principle of “Quality Parts,Customers Priority,Honest Operation,and Considerate Service”,our business mainly focus on the distribution of electronic components. Line cards we deal with include Microchip,ALPS,ROHM,Xilinx,Pulse,ON,Everlight and Freescale. Main products comprise IC,Modules,Potentiometer,IC Socket,Relay,Connector.Our parts cover such applications as commercial,industrial, and automotives areas.

We are looking forward to setting up business relationship with you and hope to provide you with the best service and solution. Let us make a better world for our industry!



## Contact us

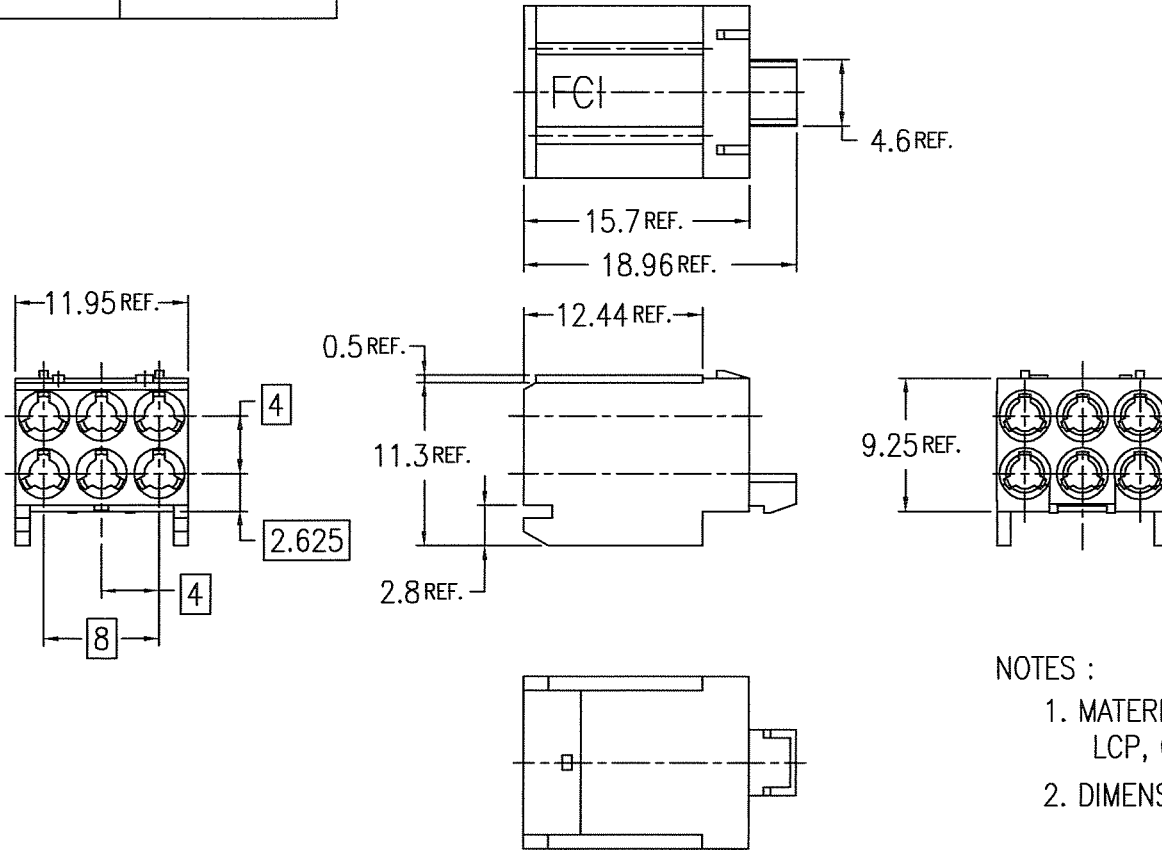
Tel: +86-755-8981 8866 Fax: +86-755-8427 6832

Email & Skype: info@chipsmall.com Web: www.chipsmall.com

Address: A1208, Overseas Decoration Building, #122 Zhenhua RD., Futian, Shenzhen, China



PRODUCT NO.	FCI MARKING
62471-001	WITHOUT
62471-0011	WITH



NOTES :

1. MATERIAL :  
LCP, COLOR NATURAL, UL94V-0
2. DIMENSIONS ARE FOR REFERENCE ONLY.



FCIconnect.com

Copyright FCI.

mat'l. code		surface		tolerance		projection		product family		CODE	
---		ISO 1302		ISO 406		MM		METRAL		JP	
description		ecn no		dr date		tolerances unless otherwise specified		title		sheet 1 of 1	
A RELEASED		J04-0093		Y.K 3/23/04		0.X ±0.3		METRAL MINI COAX CABLE CONN. HOUSING		A4	
B REVISED		J07-0030		S.O 1/18/07		0.XX ±0.3		62471		A4	
						0.XXX ±0.3		Customer Drawing		Rev. B	
sheet index		revision sheet		B 1		scale 2:1		type		Rev. B	