



Chipsmall Limited consists of a professional team with an average of over 10 year of expertise in the distribution of electronic components. Based in Hongkong, we have already established firm and mutual-benefit business relationships with customers from,Europe,America and south Asia,supplying obsolete and hard-to-find components to meet their specific needs.

With the principle of “Quality Parts,Customers Priority,Honest Operation,and Considerate Service”,our business mainly focus on the distribution of electronic components. Line cards we deal with include Microchip,ALPS,ROHM,Xilinx,Pulse,ON,Everlight and Freescale. Main products comprise IC,Modules,Potentiometer,IC Socket,Relay,Connector.Our parts cover such applications as commercial,industrial, and automotives areas.

We are looking forward to setting up business relationship with you and hope to provide you with the best service and solution. Let us make a better world for our industry!



Contact us

Tel: +86-755-8981 8866 Fax: +86-755-8427 6832

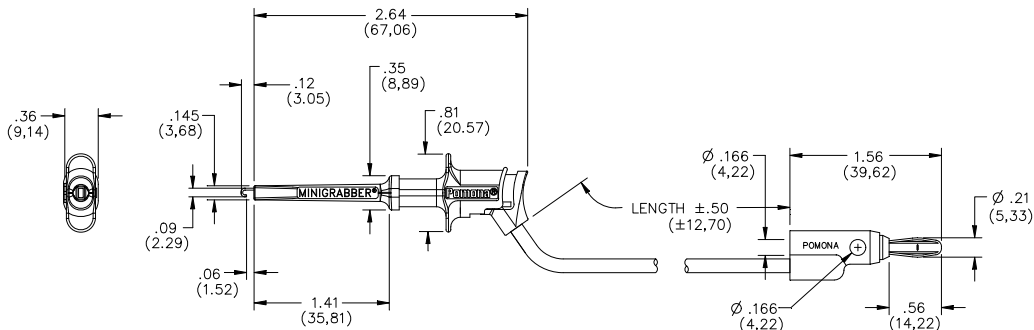
Email & Skype: info@chipsmall.com Web: www.chipsmall.com

Address: A1208, Overseas Decoration Building, #122 Zhenhua RD., Futian, Shenzhen, China



Model 6249

Minigrabber® Test Clip to Multi-Stacking Banana Plug Test Lead



Features

- Newly designed Minigrabber® Test Clip Patch Cord offers a high 300 Volt and 5 amp rating.
- Grabber width is a slim .36" (9,14 mm) for easier access to test terminals.
- Grabber hook is gold plated Beryllium Copper to ensure signal integrity & attaches onto component leads up to .060" (1,5 mm) O.D.
- Grabber patch cord interfaces directly into the most popular multimeters configured with non-sheathed style banana jacks, including Amprobe, Fluke, H-P, Tektronix and Wavetek.
- Plug is molded directly to the cable in an integral one-piece design for a long lasting connection.
- Multi-leaf banana spring material is nickel-plated Beryllium Copper for extended insertion life & low contact resistance.
- Banana plug features top and side stacking for added test versatility.
- High strand count silicone insulated wire offers excellent flexibility and high temperature resistance.

Materials

Grabber: Body – Polypropylene

Hook – Beryllium Copper, Gold Plated, Compression Spring: Music Wire

Wire: 18 AWG, 65 x 36 t.c., Insulation – Silicone, .144" (3,66 mm) O.D., Color per part number.

Banana Plug: Body – Brass, Nickel Plated, Spring – Beryllium Copper, Nickel Plated
Insulation – Polypropylene, Color per part number

Ratings

IEC 1010 2-031

Operating Voltage: For *CE Compliance* and for personal safety, do not hold in hand when voltages exceed 30 Vrms/60 Vdc. Maximum voltage for *hands free use*: 300 Vrms.

Do not use on circuits where transient stresses can exceed the rated voltage.

Operating Current: 5 Amperes Max.

Ordering Information

Model: 6249-XX-*

XX = Wire Length, Standard Lengths: 12" (30,48 cm), 24" (61 cm), 48" (122 cm)

* = Color: -0 Black, -2 Red

Ordering Example: 6249-48-2, Patch Cord is 48" (122 cm), Color is Red.

Additional lengths can be quoted upon request.

USA: Sales: 800-490-2361
Technical Support: technicalsupport@pomonatest.com
Fax: 425-446-5844

Europe: 31-(0) 40 2675 150 International: 425-446-5500

Where to Buy: www.pomonaelectronics.com

All dimensions are in inches. Tolerances (except noted): .xx = ±.02" (.51 mm), .xxx = ±.005" (.127 mm). All specifications are to the latest revisions. Specifications are subject to change without notice. Registered trademarks are the property of their respective companies.