



Chipsmall Limited consists of a professional team with an average of over 10 year of expertise in the distribution of electronic components. Based in Hongkong, we have already established firm and mutual-benefit business relationships with customers from,Europe,America and south Asia,supplying obsolete and hard-to-find components to meet their specific needs.

With the principle of “Quality Parts,Customers Priority,Honest Operation,and Considerate Service”,our business mainly focus on the distribution of electronic components. Line cards we deal with include Microchip,ALPS,ROHM,Xilinx,Pulse,ON,Everlight and Freescale. Main products comprise IC,Modules,Potentiometer,IC Socket,Relay,Connector.Our parts cover such applications as commercial,industrial, and automotives areas.

We are looking forward to setting up business relationship with you and hope to provide you with the best service and solution. Let us make a better world for our industry!



## Contact us

Tel: +86-755-8981 8866 Fax: +86-755-8427 6832

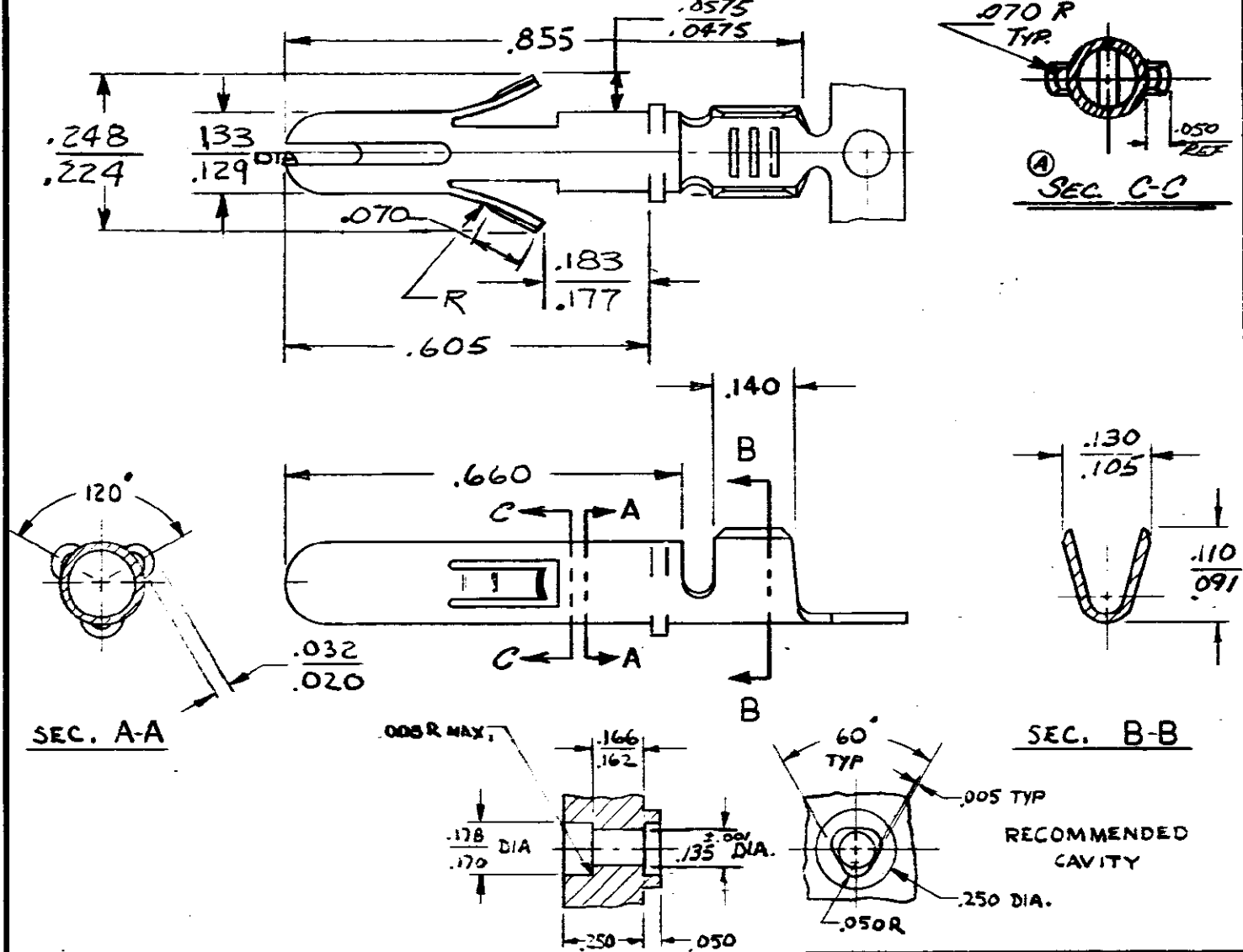
Email & Skype: info@chipsmall.com Web: www.chipsmall.com

Address: A1208, Overseas Decoration Building, #122 Zhenhua RD., Futian, Shenzhen, China



© COPYRIGHT 1976 BY AMP INCORPORATED, HARRISBURG, PA. ALL INTERNATIONAL RIGHTS RESERVED. THIS DRAWING IS UNCLASSIFIED AND IS IN THE PUBLIC DOMAIN. REPRODUCTION OF THIS DRAWING WITHOUT PERMISSION OF AMP INCORPORATED IS PROHIBITED. PATENTS PENDING.

REVISIONS			
LTR	DESCRIPTION	DATE	APPROVED
A	ADDED RADIUS TO LOCKING LATCHES PER SEC. C-C 3400	1-21-77	GAD/
B	REVISED RELEASED A-3590	5/4/77	GT/
C	REVISED A-3901	3/2/78	GT/
D	REVISED A-3954	5-18-78	SS/
E	REVISED 0 AF-1993	9/2/87	SY



22-18	62505-1
WIRE SIZE	PART NO

UNLESS OTHERWISE SPECIFIED DIMENSIONS ARE IN INCHES. TOLERANCES ON: DECIMALS ± .015 ANGLES ± 1°0'
MATERIAL .016 BRASS
FINISH NONE

CONTRACT NO	DR <i>R. J. West</i> 6-18-76
CHK <i>John Patrick</i> 6-18-76	APPD <i>R. J. West</i> 6-22-76
DSGN APPD	OTHER APPD

AMP INCORPORATED Harrisburg, Pa.		
NAME PIN .130 DIAMETER		
SIZE <b>A</b>	CODE IDENT NO <b>00779</b>	DRAWING NO <b>62505</b>
SCALE <i>1:1</i>	SHEET <i>1</i>	