



Chipsmall Limited consists of a professional team with an average of over 10 year of expertise in the distribution of electronic components. Based in Hongkong, we have already established firm and mutual-benefit business relationships with customers from,Europe,America and south Asia,supplying obsolete and hard-to-find components to meet their specific needs.

With the principle of “Quality Parts,Customers Priority,Honest Operation,and Considerate Service”,our business mainly focus on the distribution of electronic components. Line cards we deal with include Microchip,ALPS,ROHM,Xilinx,Pulse,ON,Everlight and Freescale. Main products comprise IC,Modules,Potentiometer,IC Socket,Relay,Connector.Our parts cover such applications as commercial,industrial, and automotives areas.

We are looking forward to setting up business relationship with you and hope to provide you with the best service and solution. Let us make a better world for our industry!



Contact us

Tel: +86-755-8981 8866 Fax: +86-755-8427 6832

Email & Skype: info@chipsmall.com Web: www.chipsmall.com

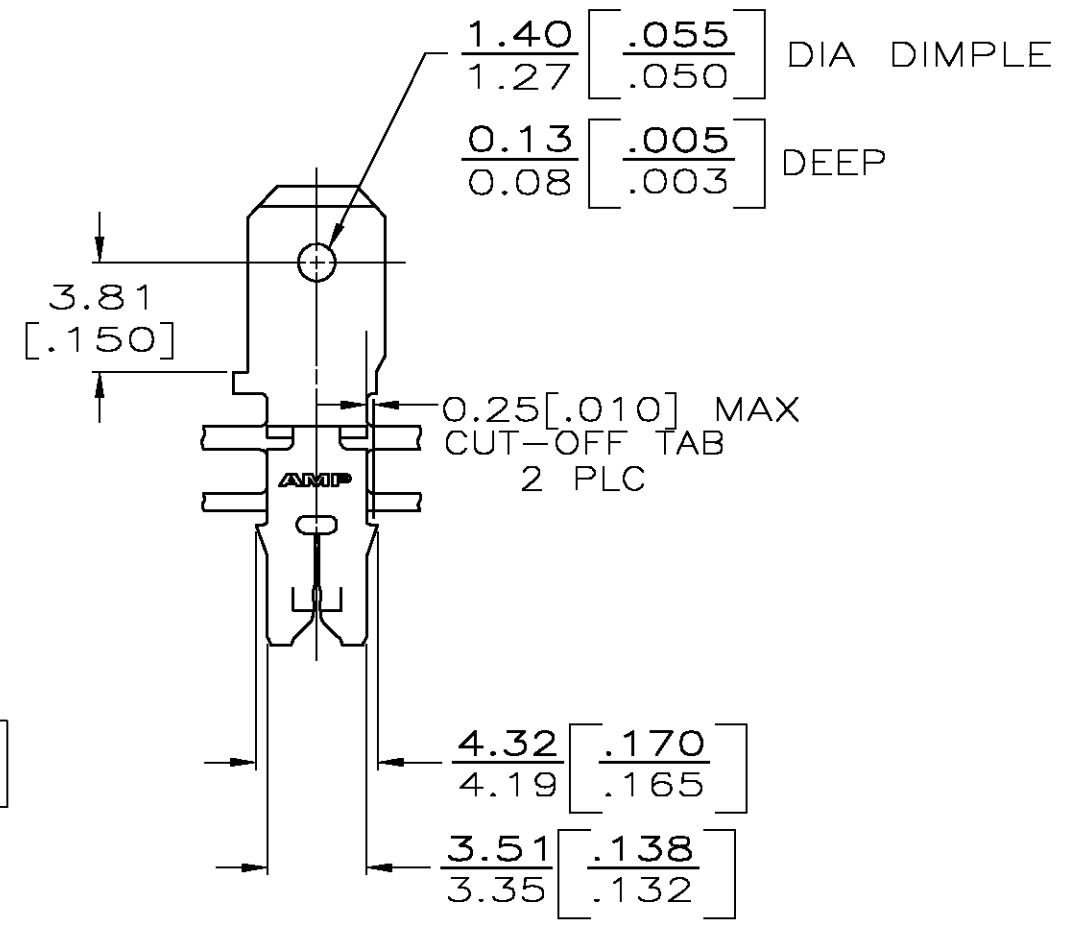
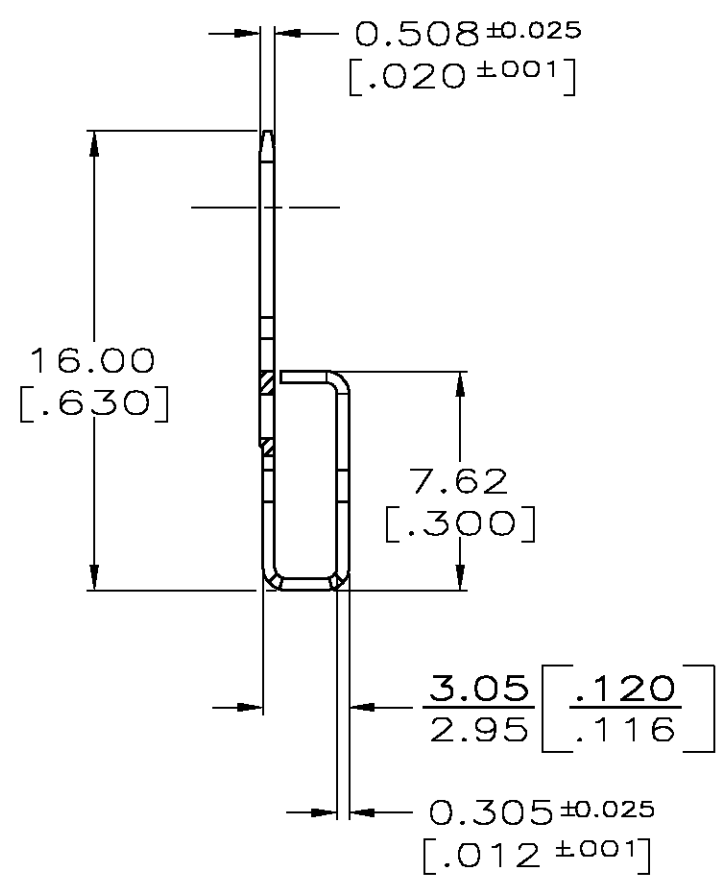
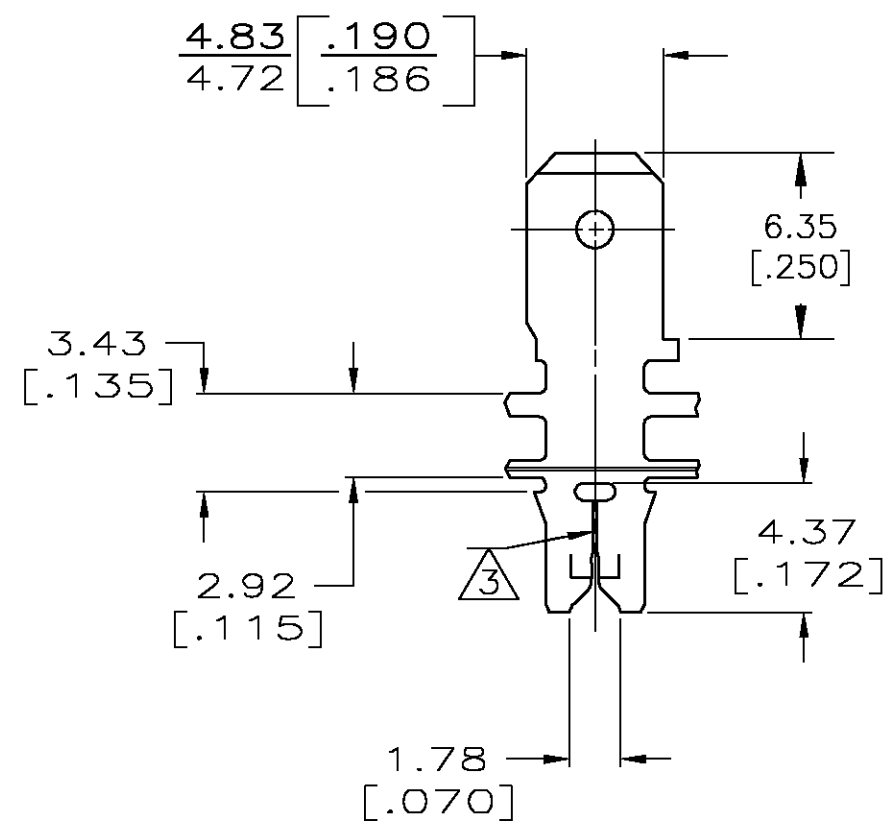
Address: A1208, Overseas Decoration Building, #122 Zhenhua RD., Futian, Shenzhen, China



THIS DRAWING IS UNPUBLISHED. RELEASED FOR PUBLICATION
 © COPYRIGHT BY TYCO ELECTRONICS CORPORATION. ALL RIGHTS RESERVED.

LOC	DIST	REVISIONS			
P	LTR	DESCRIPTION	DATE	DWN	APVD
AF	50	P	REV PER 0G3A-0237-03	24APR03	JR KR

IDENTIFICATION NUMBER FOR 6 MAGNET WIRE

1 CONTINUOUS STRIP ON REELS WITH TERMINALS LOCATED ON 5.59 [.220] CENTERS

3 SLOT TERMINATES EITHER SINGLE OR DOUBLE MAGNET WIRE OF THE SAME SIZE, COPPER 0.25-0.36mm [#30-#27 AWG]

2 AFTER INSERTION INTO PLASTIC HOLDER TAB PORTION MUST BE BENT OVER 45° TO 90° OR POTTED-IN TO PREVENT PULL-OUT WHEN MATING RECEPTACLE IS DISCONNECTED

62512-1
PART NO

THIS DRAWING IS A CONTROLLED DOCUMENT.		DWN 12/4/89 D.K. SCHRUM	Tyco Electronics Corporation Harrisburg, PA 17105	
DIMENSIONS: MM [INCHES]		CHK 12/19/89 M.S. FEHER	NAME TAB, .187 FASTON, MAG-MATE	
TOLERANCES UNLESS OTHERWISE SPECIFIED: 0 PLC ± - 1 PLC ± - 2 PLC ± - 3 PLC ± 0.38 [.015] 4 PLC ± - ANGLES ± -		APVD 12/19/89 N. NEFF	PRODUCT SPEC 108-2012	
MATERIAL #4 HARD PREMILLED BRASS		FINISH 0.002032 [.000080] MIN TIN	APPLICATION SPEC 114-2046	RESTRICTED TO -
		WEIGHT -	SIZE A3	CAGE CODE 00779
		CUSTOMER DRAWING	DRAWING NO 62512	REV P
		SCALE 4:1	SHEET 1 OF 1	