



Chipsmall Limited consists of a professional team with an average of over 10 year of expertise in the distribution of electronic components. Based in Hongkong, we have already established firm and mutual-benefit business relationships with customers from,Europe,America and south Asia,supplying obsolete and hard-to-find components to meet their specific needs.

With the principle of “Quality Parts,Customers Priority,Honest Operation,and Considerate Service”,our business mainly focus on the distribution of electronic components. Line cards we deal with include Microchip,ALPS,ROHM,Xilinx,Pulse,ON,Everlight and Freescale. Main products comprise IC,Modules,Potentiometer,IC Socket,Relay,Connector.Our parts cover such applications as commercial,industrial, and automotives areas.

We are looking forward to setting up business relationship with you and hope to provide you with the best service and solution. Let us make a better world for our industry!



## Contact us

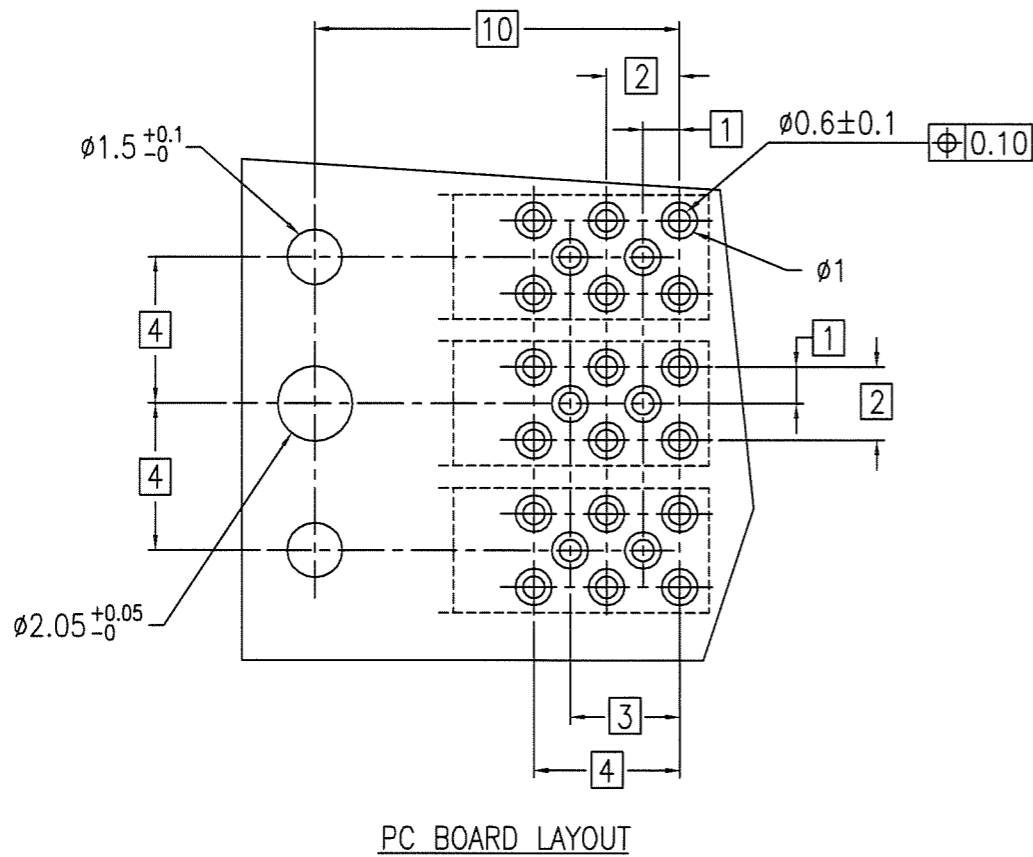
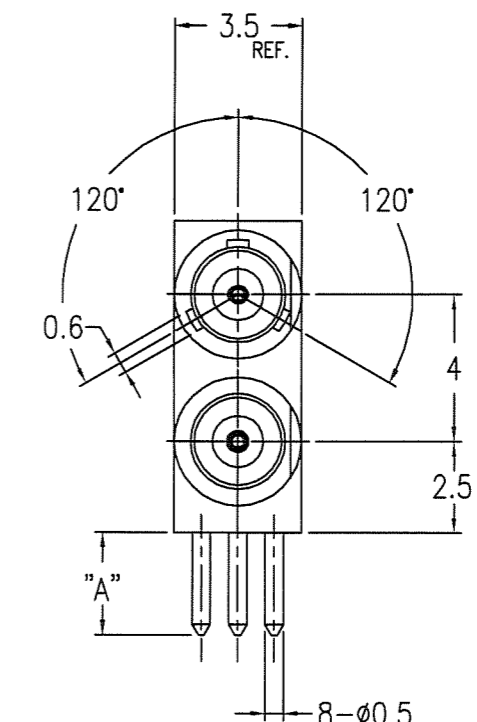
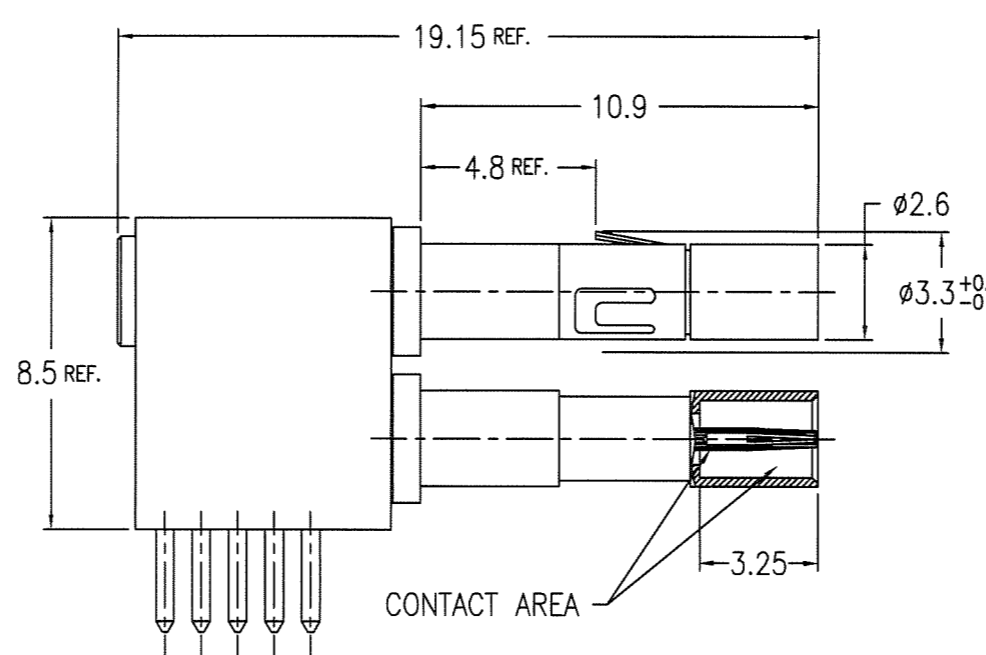
Tel: +86-755-8981 8866 Fax: +86-755-8427 6832

Email & Skype: info@chipsmall.com Web: www.chipsmall.com

Address: A1208, Overseas Decoration Building, #122 Zhenhua RD., Futian, Shenzhen, China



PRODUCT NO.	DIM "A"	PCB THICKNESS
62525-101	2.8	1.6mm
-101LF		
62525-102	3.8	2.4mm
-102LF		
62525-103	4.5	3.2mm
-103LF		



NOTES

- MATERIAL : CONTACT AREA BeCu  
 SPRING CLIP BeCu  
 INSULATOTR PTFE  
 OTHERS BRASS
- PLATING : CONTACT AREA Au 0.8um MIN. UNDER Ni 1.27um MIN.  
 SPRING CLIP Ni 1.27um MIN.  
 BODY Ni 1.27um MIN.  
 INSERT CAP Ni 1.27um MIN.  
 OTHERS Au FLASH UNDER Ni 1.27um MIN.
- FOR LEAD FREE P/N, THE PRODUCT MEET EUROPEAN UNION DIRECTIVES AND OTHER COUNTRY REGULATIONS AS DESCRIBED IN GS-22-008
- THE HOUSING WILL WITHSTAND EXPOSURE TO 260°C PEAK TEMPERATURE FOR 10 SECONDS IN A CONVECTION, INFRA-RED OR VAPOR PHASE REFLOW OVEN.

mat'l. code				surface ISO 1302		tolerance ISO 406 ISO 1101		projection		product family METRAL		CODE JP	
---				✓		tolerances unless otherwise specified		MM		title		METRAL MINI COAX RECE. R/A ASS'Y	
A RELEASED J90148 Y.K 5/10/'99				angles		0.X ±0.3		scale 5:1		dwg no		sheet 1 of 1 size	
B REVISED J90200 Y.K 6/7/'99				linear		0.XX ±0.3		FCJ		62525		A3	
C REVISED J20641 Y.K 12/16/'02				0°±2'		0.XXX ±0.3				type		Customer Drawing	
D REVISED J05-0673 Y.K 10/21/'05				dr		Y.KODAIRA 5/10/'99							
E REVISED J07-0030 S.D 1/18/'07				enr		S.OKUDAIRA 1/18/'07							
				chr		R. S. Swiriji 1/18/07							
				appd		S. Okudaira 1/18/07							
sheet index		revision sheet		E 1								Rev. E	



Copyright FCJ.