



Chipsmall Limited consists of a professional team with an average of over 10 year of expertise in the distribution of electronic components. Based in Hongkong, we have already established firm and mutual-benefit business relationships with customers from,Europe,America and south Asia,supplying obsolete and hard-to-find components to meet their specific needs.

With the principle of “Quality Parts,Customers Priority,Honest Operation,and Considerate Service”,our business mainly focus on the distribution of electronic components. Line cards we deal with include Microchip,ALPS,ROHM,Xilinx,Pulse,ON,Everlight and Freescale. Main products comprise IC,Modules,Potentiometer,IC Socket,Relay,Connector.Our parts cover such applications as commercial,industrial, and automotives areas.

We are looking forward to setting up business relationship with you and hope to provide you with the best service and solution. Let us make a better world for our industry!



## Contact us

Tel: +86-755-8981 8866 Fax: +86-755-8427 6832

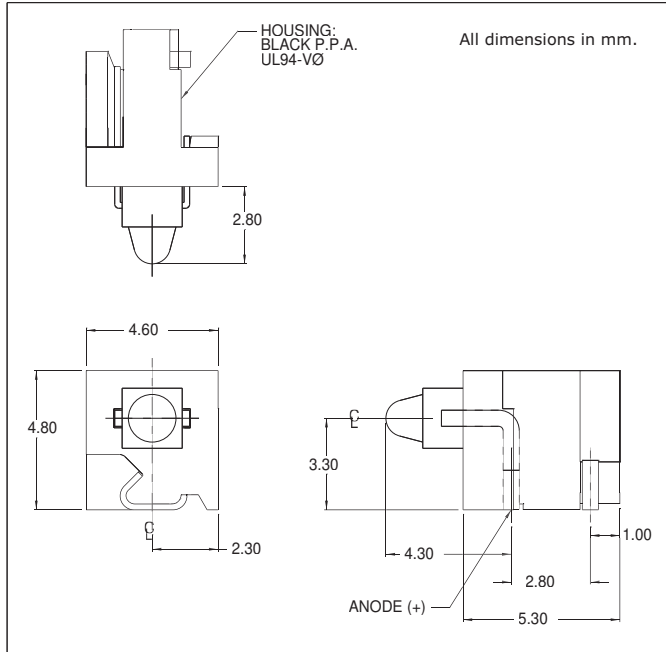
Email & Skype: info@chipsmall.com Web: www.chipsmall.com

Address: A1208, Overseas Decoration Building, #122 Zhenhua RD., Futian, Shenzhen, China



**6255T Series Bright★Angle™ Sub-Miniature SMT LED Assemblies**

**DESCRIPTION AND FEATURES**



- Tape and reel packaged for high-speed pick-and-place installation.
- Packaged 750 pieces per reel.
- Convection and vapor-phase reflow compatible.
- Compact form enables high density placement.
- Ideal for backlighting applications.
- Wide angle viewing.
- Direct-view optics provide smooth uniform appearance.
- High output.
- Low current (2mA).
- Built-in resistor for 5V and 5V low-current.
- Perfect drop-in replacement for Dialight 591 series prism.
- 100K+ hour MTBF
- Easy post-reflow solder joint inspection.
- No adhesives.
- UL94V-0 rated housing of black polyphenylen sulfide.
- Solder pad geometry on page 1-X2.

**ELECTRO-OPTICAL CHARACTERISTICS AND RATINGS**

Part Number	Emitted Color	Lens Color	Luminous Intensity		Forward Voltage		Test Current (mA)	Peak Wavelength (nm)
			Min. (mcd)	Typ. (mcd)	Typ. (V)	Max. (V)		
6255T1	Red	Red	1.0	5.0	2.2	3.0	10	635
6255T3	Amber	Amber	1.0	3.0	2.2	3.0	10	603
6255T5	Green	Green	1.0	4.0	2.3	3.0	10	565
6255T7	Yellow	Yellow	1.0	3.8	2.2	3.0	10	583
6255T1-5V	Red	Red	1.3	5.0	5.0	6.0	10	635
6255T3-5V	Amber	Amber	0.9	5.0	5.0	6.0	10	583
6255T5-5V	Green	Green	1.6	5.0	5.0	6.0	10	565
6255T1LC	Red	Red	0.4	0.8	1.8	2.2	2	635
6255T5LC	Green	Green	0.4	1.2	1.8	2.2	2	565
6255T7LC	Yellow	Yellow	0.4	0.6	1.9	2.9	2	583
6255T1-5VLC	Red	Red	0.8	2.0	5.0	6.0	4	635
6255T3-5VLC	Amber	Amber	0.9	4.0	5.0	6.0	4	583
6255T5-5VLC	Green	Green	0.9	2.0	5.0	6.0	4	565