



Chipsmall Limited consists of a professional team with an average of over 10 year of expertise in the distribution of electronic components. Based in Hongkong, we have already established firm and mutual-benefit business relationships with customers from,Europe,America and south Asia,supplying obsolete and hard-to-find components to meet their specific needs.

With the principle of "Quality Parts,Customers Priority,Honest Operation,and Considerate Service",our business mainly focus on the distribution of electronic components. Line cards we deal with include Microchip,ALPS,ROHM,Xilinx,Pulse,ON,Everlight and Freescale. Main products comprise IC,Modules,Potentiometer,IC Socket,Relay,Connector.Our parts cover such applications as commercial,industrial, and automotives areas.

We are looking forward to setting up business relationship with you and hope to provide you with the best service and solution. Let us make a better world for our industry!



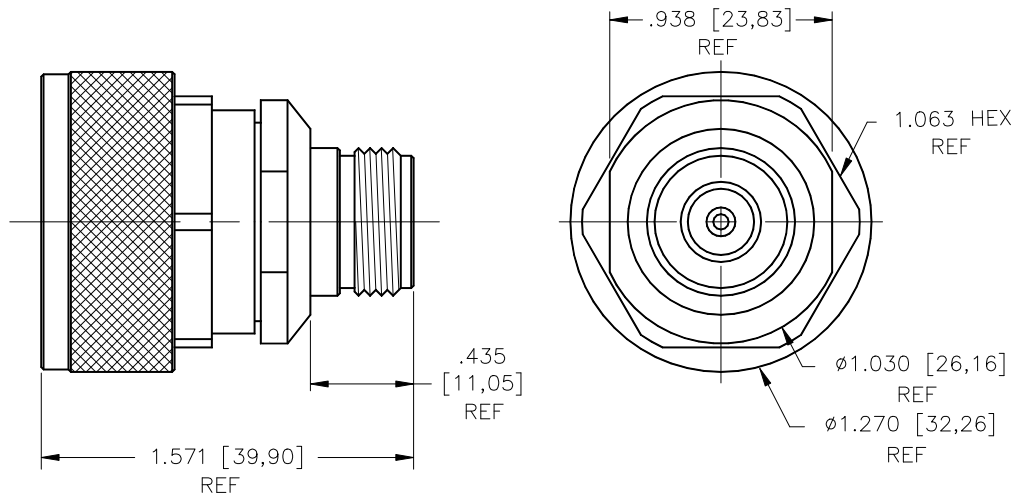
## Contact us

Tel: +86-755-8981 8866 Fax: +86-755-8427 6832

Email & Skype: info@chipsmall.com Web: www.chipsmall.com

Address: A1208, Overseas Decoration Building, #122 Zhenhua RD., Futian, Shenzhen, China





Pomona's 7/16 DIN adapters are made in the US and feature silver plated brass bodies, Teflon insulation and silver plated, Beryllium Copper female and brass male center contacts.



### RATINGS:

Impedance: 50 Ohms  
 Frequency Range: DC - 7.5 GHz  
 Insertion Loss:  $-.01 \text{ dB} \sqrt{\text{Frequency GHz}}$   
 VSWR (Max):  $< 1.10:1 @ \text{DC} - 7.5 \text{ GHz}$   
 3<sup>rd</sup> Order IM -dBc:  $> -150 \text{ dBc}$

### MATERIALS:

Bodies and Fitting – Brass, per QQ-B-626  
 Finish – Silver, QQ-S-365

### FEATURES:

- Reduced intermodulation generation
- Improved VSWR
- More stable electrical and mechanical connection over type N
- Peak power rating of 40 kW compared to 10kW for type N
- Higher contact pressure means lower contact resistance and better heat dissipation for greater average power handling
- Greater resistance to environmental forces
- Coupling mechanism provides higher contact pressure and full circumference contact
- Longer, more durable and long-term reliable conductors
- Longer service life under harsh conditions
- Interface dimensions and coupling nut torque is 10 times greater than type N

### ORDERING INFORMATION:

Model 6257

All dimensions are in inches. Tolerances (except noted): .xx =  $\pm .02$ " (.51 mm), .xxx =  $\pm .005$ " (.127 mm).  
 All specifications are to the latest revisions. Specifications are subject to change without notice.  
 Registered trademarks are the property of their respective companies. Made in USA