



Chipsmall Limited consists of a professional team with an average of over 10 year of expertise in the distribution of electronic components. Based in Hongkong, we have already established firm and mutual-benefit business relationships with customers from,Europe,America and south Asia,supplying obsolete and hard-to-find components to meet their specific needs.

With the principle of “Quality Parts,Customers Priority,Honest Operation,and Considerate Service”,our business mainly focus on the distribution of electronic components. Line cards we deal with include Microchip,ALPS,ROHM,Xilinx,Pulse,ON,Everlight and Freescale. Main products comprise IC,Modules,Potentiometer,IC Socket,Relay,Connector.Our parts cover such applications as commercial,industrial, and automotives areas.

We are looking forward to setting up business relationship with you and hope to provide you with the best service and solution. Let us make a better world for our industry!



Contact us

Tel: +86-755-8981 8866 Fax: +86-755-8427 6832

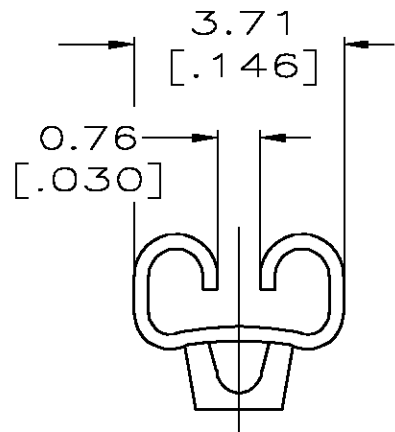
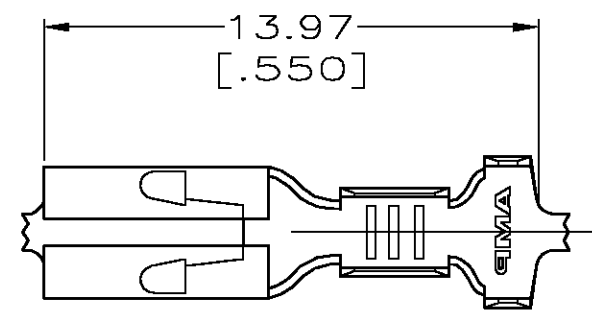
Email & Skype: info@chipsmall.com Web: www.chipsmall.com

Address: A1208, Overseas Decoration Building, #122 Zhenhua RD., Futian, Shenzhen, China



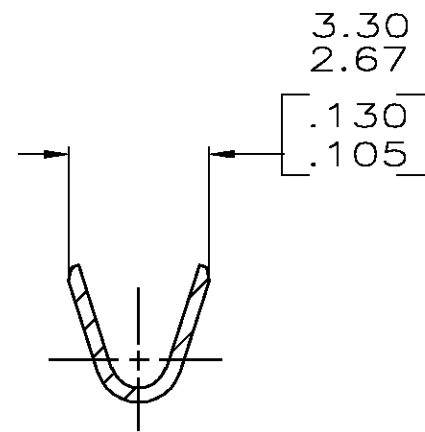
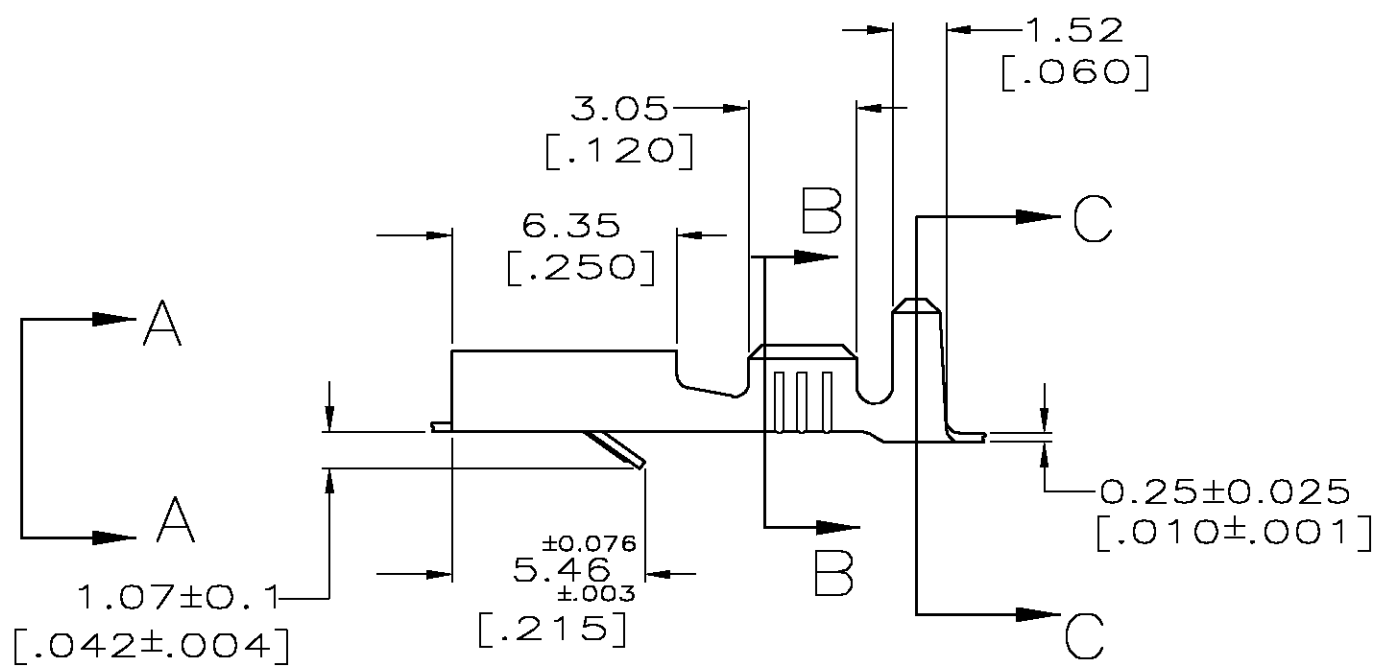
THIS DRAWING IS UNPUBLISHED. RELEASED FOR PUBLICATION
 © COPYRIGHT BY TYCO ELECTRONICS CORPORATION. ALL RIGHTS RESERVED.

LOC	DIST	REVISIONS				
P	LTR	DESCRIPTION	DATE	DWN	APVD	
AF	50					
	N	REV PER OG3A-0062-03	24JAN03	JR	ND	

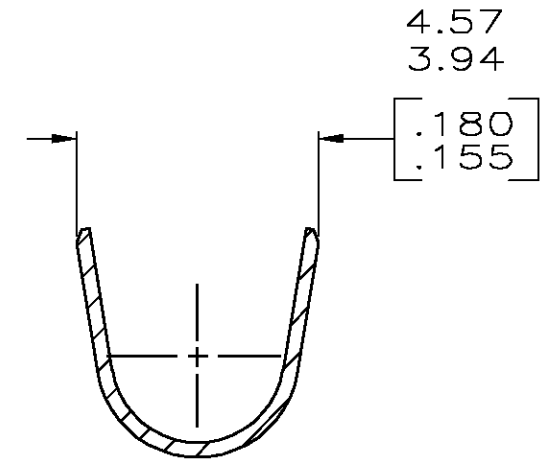


VIEW A-A
SCALE 8:1

- 1 CONTINUOUS STRIP ON REELS.
- 2 MATING TAB THK TO BE 0.81±0.025 [.032±.001].
- 3 WIRE SIZE IS [#20-#16] AWG.
- 4 INSULATION RANGE IS 2.03-3.05 [.080-.120] DIA.
- △5 0.002032 [.000080] MIN TIN.
- △6 0.003810 [.000150] MIN SILVER
- △8 PRELIMINARY - NOT FOR PRODUCTION



SECTION B-B
SCALE 8:1



SECTION C-C
SCALE 8:1

OBSOLETE

H04 PRE-TIN BRASS	62572-6
H04 BRASS - SILVER △6	△62572-5
H04 BRASS - TIN △8	62572-4
T3 PHOS BRONZE - NONE	62572-2
H04 BRASS - NONE	62572-1
MATERIAL - FINISH	PART NO.

THIS DRAWING IS A CONTROLLED DOCUMENT.		DWN	JR RUTH	13AUG99	Tyco Electronics Corporation Harrisburg, PA 17105
DIMENSIONS: MM		CHK	MS FEHER	13AUG99	
		APVD	J GILLESPIE	13AUG99	
TOLERANCES UNLESS OTHERWISE SPECIFIED:		NAME		RECEPTACLE, FASTIN-FASTON, 2.79 [.110] SERIES	
0 PLC ± -		PRODUCT SPEC		-	
1 PLC ± -		APPLICATION SPEC		114-2065	
2 PLC ± 0.38 [.015]		WEIGHT		-	
3 PLC ± -		SIZE		A3	
4 PLC ± -		CAGE CODE		00779	
ANGLES ± -		DRAWING NO		C-62572	
FINISH		RESTRICTED TO		-	
SEE TABLE		MATERIAL		SEE TABLE	
		CUSTOMER DRAWING		SCALE 5:1 SHEET 1 OF 1 REV N	