



Chipsmall Limited consists of a professional team with an average of over 10 year of expertise in the distribution of electronic components. Based in Hongkong, we have already established firm and mutual-benefit business relationships with customers from,Europe,America and south Asia,supplying obsolete and hard-to-find components to meet their specific needs.

With the principle of “Quality Parts,Customers Priority,Honest Operation,and Considerate Service”,our business mainly focus on the distribution of electronic components. Line cards we deal with include Microchip,ALPS,ROHM,Xilinx,Pulse,ON,Everlight and Freescale. Main products comprise IC,Modules,Potentiometer,IC Socket,Relay,Connector.Our parts cover such applications as commercial,industrial, and automotives areas.

We are looking forward to setting up business relationship with you and hope to provide you with the best service and solution. Let us make a better world for our industry!



Contact us

Tel: +86-755-8981 8866 Fax: +86-755-8427 6832

Email & Skype: info@chipsmall.com Web: www.chipsmall.com

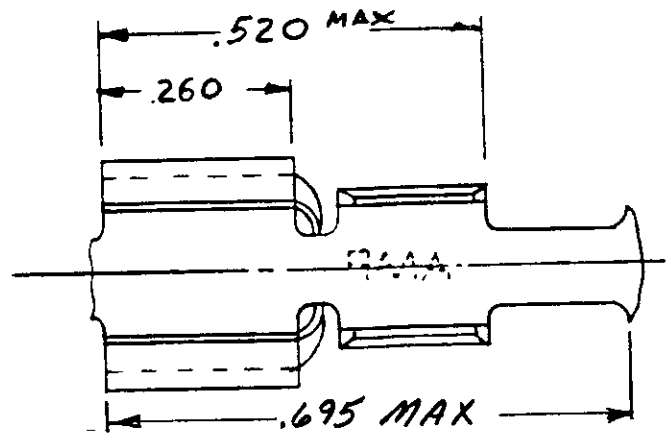
Address: A1208, Overseas Decoration Building, #122 Zhenhua RD., Futian, Shenzhen, China



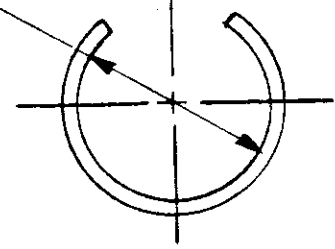
DRAWING MADE IN THIRD ANGLE PROJECTION

© COPYRIGHT 1977 BY AMP INCORPORATED, HARRISBURG, PA. ALL INTERNATIONAL RIGHTS RESERVED. NOT TO BE REPRODUCED OR PUBLISHED WITHOUT WRITTEN PERMISSION OF AMP INCORPORATED. PATENTS PENDING.

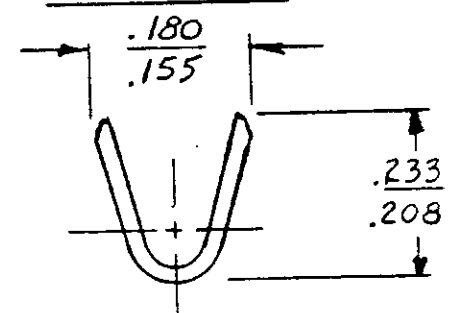
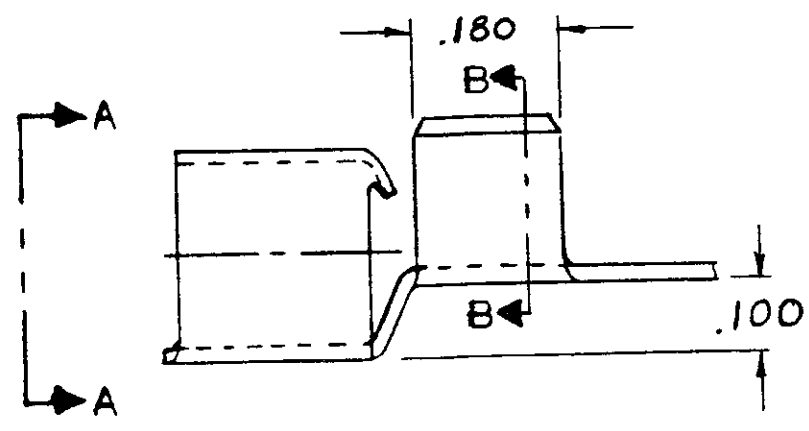
REVISIONS					
LTR	DESCRIPTION	DATE	APPROVED	P/F	
C	DWG. RELEASED	M-4068	1-19-77	EJW/d.H.	✓
A	RELEASED FOR PRODUCTION	M-4197	3-23-77	J/A/d.H.	✓
B	.260 DIM. WAS .250	M-4687	2-22-78	CM/d.H.	✓
B ₁	RESTORATION		10-8-85	KS/ RM	
B ₂	CHG DWG LOC CODE		4-28-87	CM/RS	
C	REV PER DT10-0427-95		26/SEP/95	PMF/	



FITS ON $\frac{.253}{.247}$ DIA. PIN




VIEW A-A



SECTION B-B

12-10	62587-1
WIRE SIZE	PART NO

CONTINUOUS STRIP ON REELS

UNLESS OTHERWISE SPECIFIED DIMENSIONS ARE IN INCHES. TOLERANCES ON: DECIMALS ± .015 ANGLES ± 1'00"	CONTRACT NO	 AMP INCORPORATED Harrisburg, Pa.	NAME PIN RECEPTACLE		
	DR <i>E.J. Weist 1-14-77</i>				
	CHK <i>D.S. Heide 1/18/77</i>	SIZE		CODE IDENT NO	DRAWING NO
	APPD <i>[Signature]</i>	A		00779	62587
	APPD <i>[Signature]</i>	SCALE		SHEET	
MATERIAL	DSGN APPD				
.020 BRASS					
FINISH	OTHER APPD				
TIN					