



Chipsmall Limited consists of a professional team with an average of over 10 year of expertise in the distribution of electronic components. Based in Hongkong, we have already established firm and mutual-benefit business relationships with customers from,Europe,America and south Asia,supplying obsolete and hard-to-find components to meet their specific needs.

With the principle of "Quality Parts,Customers Priority,Honest Operation,and Considerate Service",our business mainly focus on the distribution of electronic components. Line cards we deal with include Microchip,ALPS,ROHM,Xilinx,Pulse,ON,Everlight and Freescale. Main products comprise IC,Modules,Potentiometer,IC Socket,Relay,Connector.Our parts cover such applications as commercial,industrial, and automotives areas.

We are looking forward to setting up business relationship with you and hope to provide you with the best service and solution. Let us make a better world for our industry!



Contact us

Tel: +86-755-8981 8866 Fax: +86-755-8427 6832

Email & Skype: info@chipsmall.com Web: www.chipsmall.com

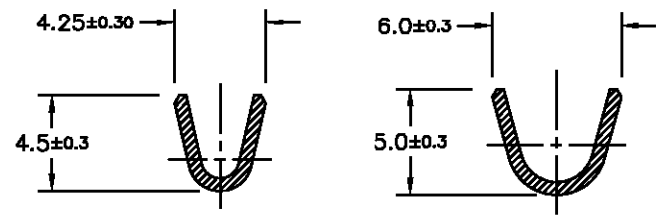
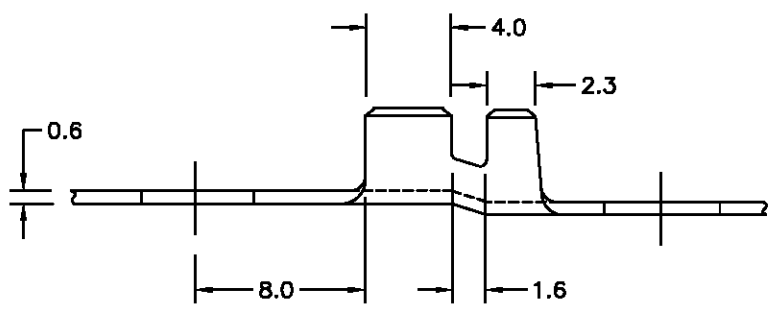
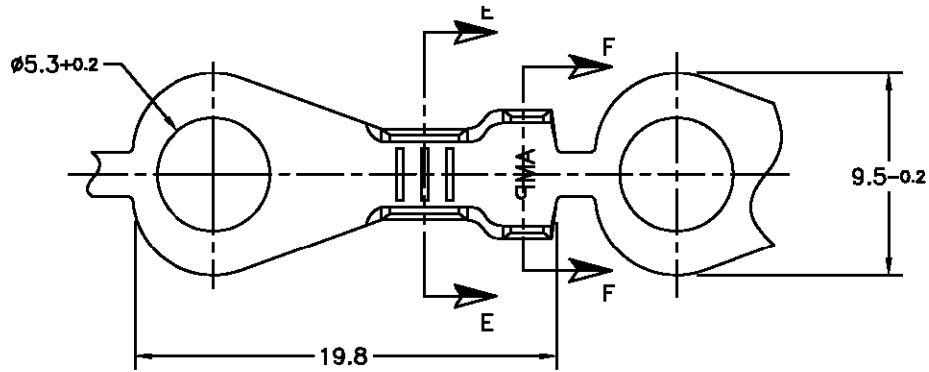
Address: A1208, Overseas Decoration Building, #122 Zhenhua RD., Futian, Shenzhen, China





LOC AP DIST -

REVISIONS		DATE DATA	DWN DES	APVD APR
P	LTR LT	DESCRIPTION DESCRICAO		
E1		REVISED BY ECLB0431/01	AP	PLF
E2		REVISED PER ECO-10-000445	KK	AEG



SECTION E-E

SECTION F-F

1 - REBOBINAR COM PAPEL INTERCALADO. 1 - RE-REELING WITH PAPER INTERLEAVE.
 2 - OBSOLETE PARTS: OBSOLETE CIS STREAMLINING PER D.RENAUD/D.SINISI

WIRE RANGE	ESTANHADO / TIN PLATED	LATÃO / BRASS	E	626033-5
1,0 - 2,5mm ²	ESTANHADO / TIN PLATED	BRONZE FOSFOROSO / PHOSP. BRONZE	E	626033-4
	-----/-----	BRONZE FOSFOROSO / PHOSP. BRONZE	E	626033-3
INSULATION RANGE	ESTANHADO / TIN PLATED	LATÃO / BRASS	E	626033-2
	-----/-----	LATÃO / BRASS	E	626033-1
	FINISH	MATERIAL	PART REV	PART NUMBER

THIS DRAWING IS UNPUBLISHED. COPYRIGHT 19 BY AMP INCORPORATED.

DIMENSIONS: DIMENSÕES MM	DWN/DES A.PERUSSI 02OCT2001	MATERIAL SEE TABLE	FINISH ACABAMENTO SEE TABLE		
	CHK/CH P.L.FARIA 01OCT2001	AMP AMP do BRASIL Ltda. São Paulo - Brasil			
TOLERANCES UNLESS OTHERWISE SPECIFIED: TOLERANCIA NCO ESPECIFICADAS	APVD/APR L.W.PRADO 01OCT2001			NAME DESCRICAO RING TONGUE	
0 PLC/DEC ± -	PRODUCT SPEC -/-	SIZE A4	CAGE CODE 00779	DRAWING NO DESENHO NO 626033	RESTRICTED TO -/-
1 PLC/DEC ± 0.3	APPLICATION SPEC -/-	WEIGHT -/-			
2 PLC/DEC ± -					
3 PLC/DEC ± -					
4 PLC/DEC ± -					
ANGLES/ANGULARES ± 1°					

