



Chipsmall Limited consists of a professional team with an average of over 10 year of expertise in the distribution of electronic components. Based in Hongkong, we have already established firm and mutual-benefit business relationships with customers from,Europe,America and south Asia,supplying obsolete and hard-to-find components to meet their specific needs.

With the principle of “Quality Parts,Customers Priority,Honest Operation,and Considerate Service”,our business mainly focus on the distribution of electronic components. Line cards we deal with include Microchip,ALPS,ROHM,Xilinx,Pulse,ON,Everlight and Freescale. Main products comprise IC,Modules,Potentiometer,IC Socket,Relay,Connector.Our parts cover such applications as commercial,industrial, and automotives areas.

We are looking forward to setting up business relationship with you and hope to provide you with the best service and solution. Let us make a better world for our industry!



## Contact us

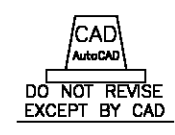
Tel: +86-755-8981 8866 Fax: +86-755-8427 6832

Email & Skype: info@chipsmall.com Web: www.chipsmall.com

Address: A1208, Overseas Decoration Building, #122 Zhenhua RD., Futian, Shenzhen, China

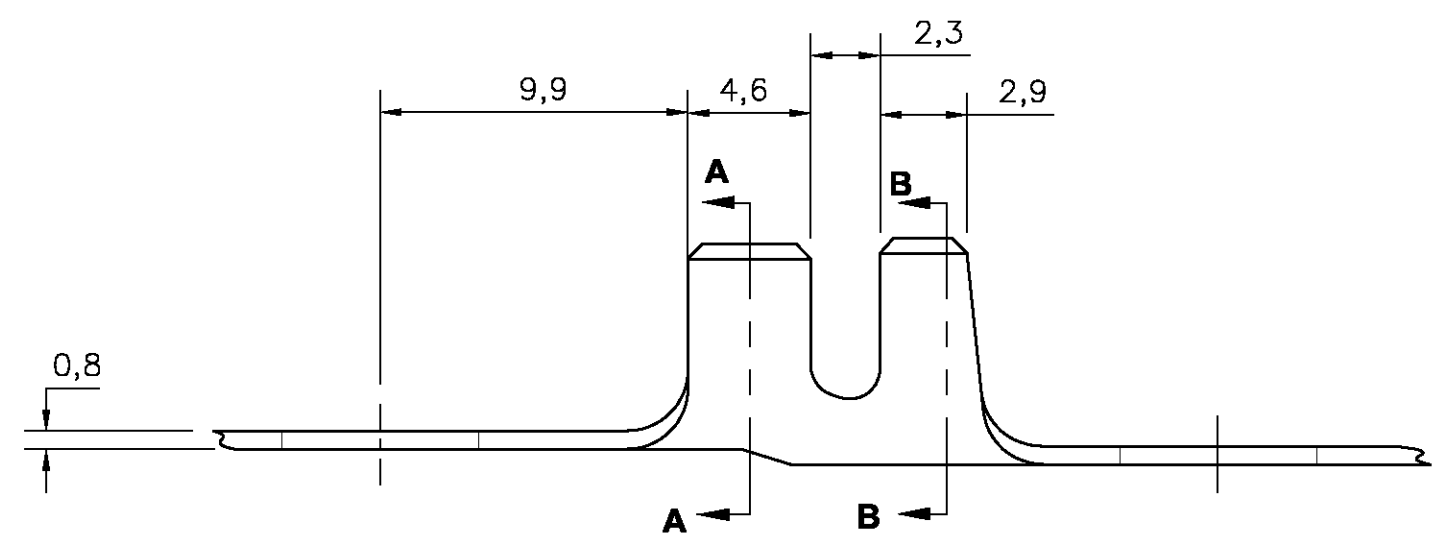
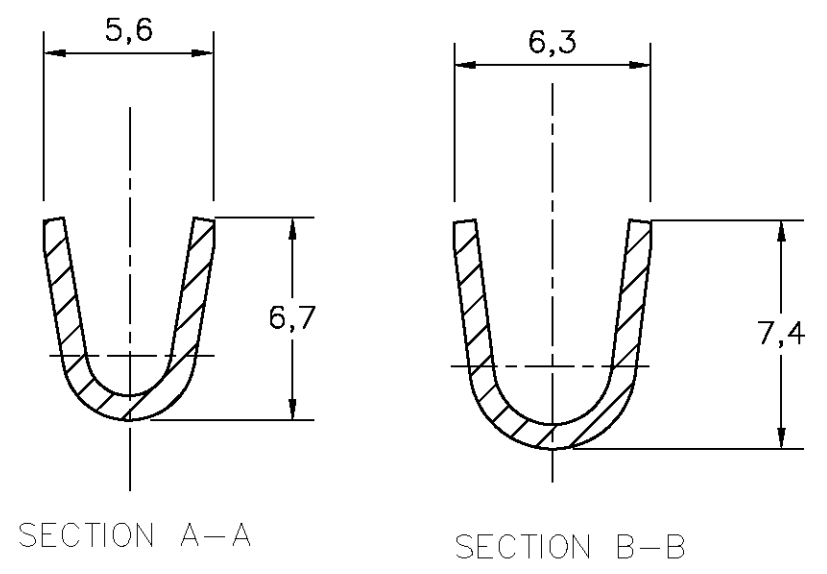
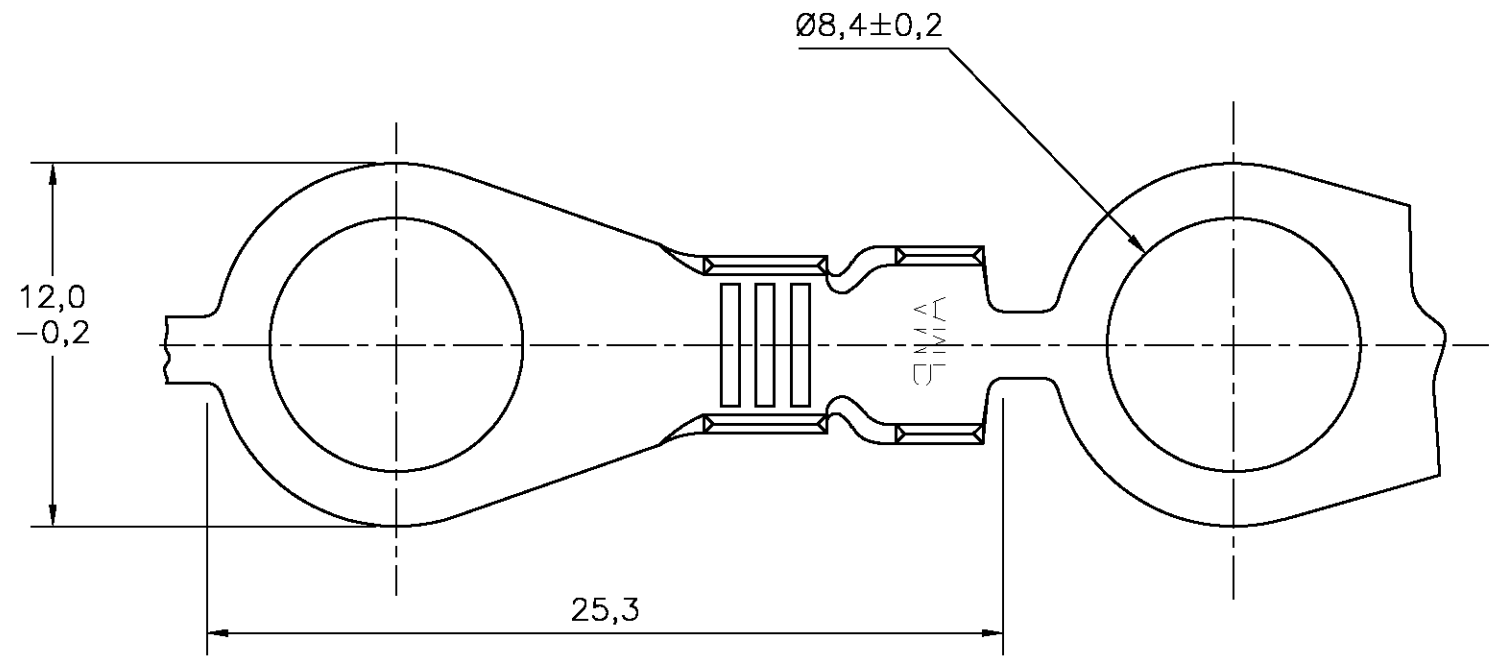


THIS DRAWING IS UNPUBLISHED. RELEASED FOR PUBLICATION  
 © COPYRIGHT BY TYCO ELECTRONICS CORPORATION. ALL INTERNATIONAL RIGHTS RESERVED.



LOC AP DIST -

REVISIONS		DATE DATA	DWN DES	APVD APR
P	LTR LT	DESCRIPTION DESCRIGCO		
	G2	REDRAW BY EC 175/99	17JUN99	AP PLF
	G3	REVISED BY ECO-10-009304	24MAY10	FC EL



FINISH	MATERIAL	PART NUMBER
-----/-----	BRONZE FOSFOROSO / PHOSP. BRONZE	626038-3
PRÉ ESTANHADO / PRE TIN PLATED	LATÃO / BRASS	626038-2
-----/-----	LATÃO / BRASS	626038-1

WIRE RANGE (mm <sup>2</sup> )	4 - 6
INSUL. RANGE (Ø mm)	3,2 - 5,3
SURF. AREA (mm <sup>2</sup> )	---/---
APPL. FEED	---/---
TRIMMING BURR	---/---
WDW	14,22
IDW	16,26
REELING	107 - -
SPLICE	115 - -

THIS DRAWING IS A CONTROLLED DOCUMENT.		DWN/DES A.PERUSSI 16JUN99	Tyco Electronics do Brasil Ltda São Paulo - Brasil	
DIMENSIONS: DIMENSÕES mm		CHK/CH P.L.FARIA 17JUN99	NAME RING TONGUE	
TOLERANCES UNLESS OTHERWISE SPECIFIED: TOLERANCIA NCO ESPECIFICADAS		APVD/APR E.GROLLA 17JUN99	DRAWING NO DESENHO NO	
<ul style="list-style-type: none"> <li>0 PLC/DEC ± -</li> <li>1 PLC/DEC ± 0,3</li> <li>2 PLC/DEC ± -</li> <li>3 PLC/DEC ± -</li> <li>4 PLC/DEC ± -</li> <li>ANGLES/ANGULARES ± 1°</li> </ul>		PRODUCT SPEC	SIZE	RESTRICTED TO
MATERIAL SEE TABLE		APPLICATION SPEC	CAGE CODE	
FINISH ACABAMENTO SEE TABLE		WEIGHT	DRAWING NO DESENHO NO	
			A3 00779	
		CUSTOMER DRAWING/DESENHO DE CLIENTE		
		SCALE ESCALA 4:1	SHEET FOLHA 1 DE 1	REV G3