



Chipsmall Limited consists of a professional team with an average of over 10 year of expertise in the distribution of electronic components. Based in Hongkong, we have already established firm and mutual-benefit business relationships with customers from,Europe,America and south Asia,supplying obsolete and hard-to-find components to meet their specific needs.

With the principle of “Quality Parts,Customers Priority,Honest Operation,and Considerate Service”,our business mainly focus on the distribution of electronic components. Line cards we deal with include Microchip,ALPS,ROHM,Xilinx,Pulse,ON,Everlight and Freescale. Main products comprise IC,Modules,Potentiometer,IC Socket,Relay,Connector.Our parts cover such applications as commercial,industrial, and automotives areas.

We are looking forward to setting up business relationship with you and hope to provide you with the best service and solution. Let us make a better world for our industry!



## Contact us

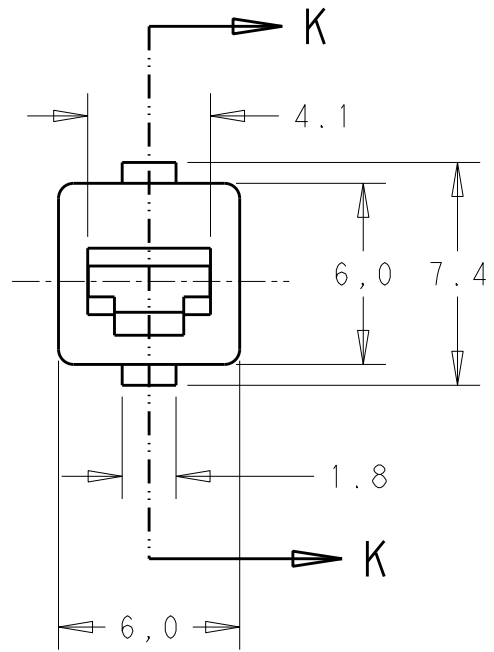
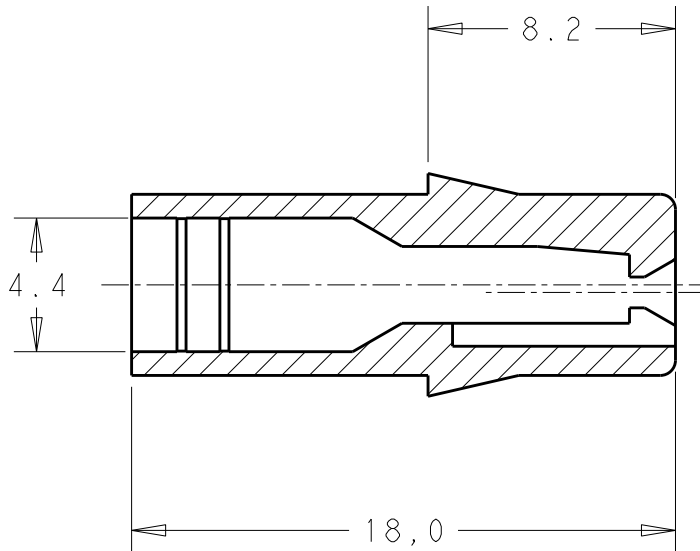
Tel: +86-755-8981 8866 Fax: +86-755-8427 6832

Email & Skype: info@chipsmall.com Web: www.chipsmall.com

Address: A1208, Overseas Decoration Building, #122 Zhenhua RD., Futian, Shenzhen, China



LOC	DIST	REVISIONS				
P	LTR	DESCRIPTION	DATE	DWN	APVD	
AP	-	B2	REDRAW BY CAD ECO-12-003573	23FEB2012	HC	WLS



SECTION K-K

20  
 RELEASED FOR PUBLICATION  
 ALL RIGHTS RESERVED.  
 THIS DRAWING IS UNPUBLISHED.  
 © COPYRIGHT 20

NATURAL	PA 6.6	626062-0
COLOR	MATERIAL	PART NUMBER

DIMENSIONS:

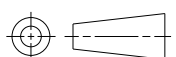
mm

TOLERANCES UNLESS OTHERWISE SPECIFIED:

0 PLC	±-
1 PLC	±0,2
2 PLC	±-
3 PLC	±-
4 PLC	±-
ANGLES	±-

DWN	H.C.CANTERI	23FEB2012
CHK	W.L.STFANI	23FEB2012
APVD	-	-
PRODUCT SPEC	-	-
APPLICATION SPEC	-	-
WEIGHT	-	-

MATERIAL	SEE TABLE	FINISH	-
 TE Connectivity			
NAME 1 WAY FASTIN-ON REC. HSG.			
SIZE	CAGE CODE	DRAWING NO	RESTRICTED TO
A 4	00779	C-626062	-



CUSTOMER DRAWING	SCALE	4/1	SHEET	1	OF	1	REV	B2
------------------	-------	-----	-------	---	----	---	-----	----