



Chipsmall Limited consists of a professional team with an average of over 10 year of expertise in the distribution of electronic components. Based in Hongkong, we have already established firm and mutual-benefit business relationships with customers from,Europe,America and south Asia,supplying obsolete and hard-to-find components to meet their specific needs.

With the principle of “Quality Parts,Customers Priority,Honest Operation,and Considerate Service”,our business mainly focus on the distribution of electronic components. Line cards we deal with include Microchip,ALPS,ROHM,Xilinx,Pulse,ON,Everlight and Freescale. Main products comprise IC,Modules,Potentiometer,IC Socket,Relay,Connector.Our parts cover such applications as commercial,industrial, and automotives areas.

We are looking forward to setting up business relationship with you and hope to provide you with the best service and solution. Let us make a better world for our industry!



## Contact us

Tel: +86-755-8981 8866 Fax: +86-755-8427 6832

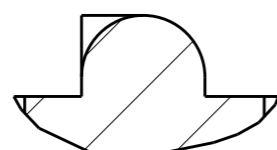
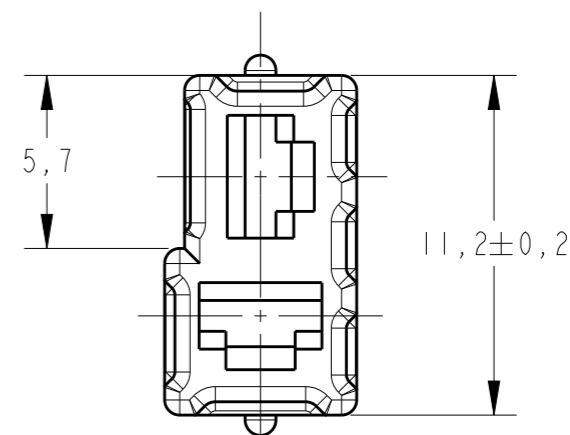
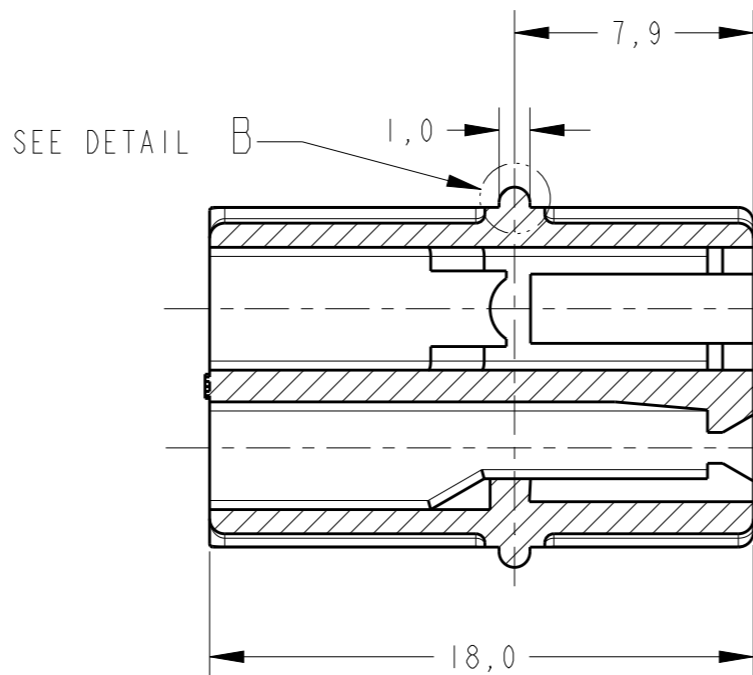
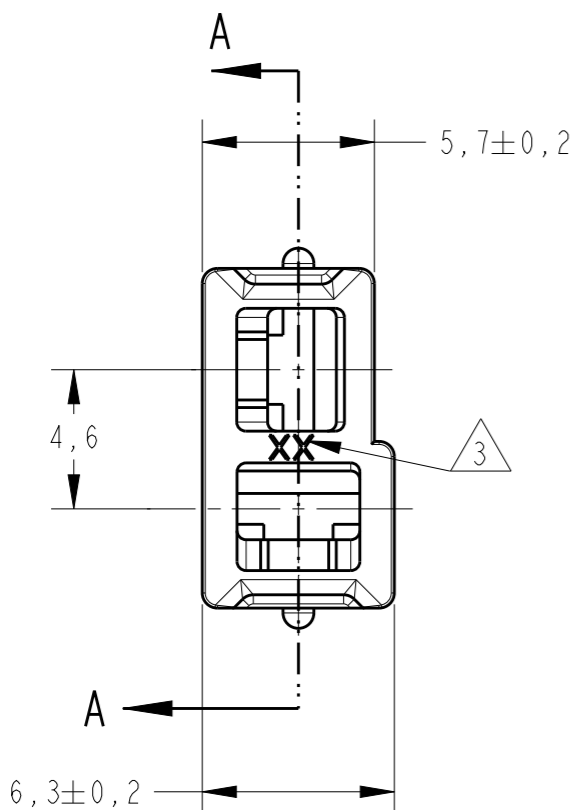
Email & Skype: info@chipsmall.com Web: www.chipsmall.com

Address: A1208, Overseas Decoration Building, #122 Zhenhua RD., Futian, Shenzhen, China



THIS DRAWING IS UNPUBLISHED. RELEASED FOR PUBLICATION  
 © COPYRIGHT - BY - ALL RIGHTS RESERVED.

LOC	DIST	REVISIONS					
AP	-	P	LTR	DESCRIPTION	DATE	DWN	APVD
			K3	REVISED PER ECO-11-005139	19MAR11	RK	HMR
			K4	REVISED BY ECO-12-020337	22NOV2012	PP	WS
			K5	REV. BY ECO 16-010419	14JULY2016	HC	WLS



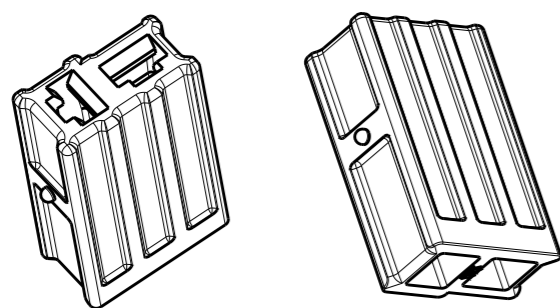
CONSTRUÇÃO OPCIONAL  
 OPTIONAL CONSTRUCTION  
 DETAIL B  
 SCALE 16:1

GRAVAÇÕES MARKINGS	
NÚMERO CAVIDADE CAVITY NUMBER	3

1 - RAW MATERIAL ACC. TO SPEC. IEC 60335-1 GWT 750°C WITHOUT FLAME  
 MATERIA PRIMA CONFORME IEC 60335-1 GWT 750°C SEM CHAMA.

2 - QUANTIDADE DA EMBALAGEM SÃO 1000 PEÇAS/CAIXA.  
 PACKAGING QUANTITY ARE 1000 PARTS/BOX.

OBSOLETE	NATURAL	MADE FROM 626064	2 1-0626064-3
	NATURAL	PA 6.6 V-0 1	1-0626064-2
	PRETO/BLACK	PA 6.6	0-0626064-5
OBSOLETE	VERMELHO/RED	PA 6.6	0-0626064-1
	NATURAL	PA 6.6	0-0626064-0
	FINISH	MATERIAL	PART NUMBER



PERSPECTIVE VIEW  
 SCALE 2:1



THIS DRAWING IS A CONTROLLED DOCUMENT.		DWN E. LOPES 14MAR2006	<b>STE</b> TE Connectivity	
DIMENSIONS: mm		CHK P. L. FARIA 14MAR2006		
TOLERANCES UNLESS OTHERWISE SPECIFIED:		APVD M. S. OLIVEIRA 14MAR2006	NAME 2 WAY .110 FASTIN-ON RECEP. HSG 2 WAY .110 FASTIN-ON RECEP. HSG	
0 PLC ±-		PRODUCT SPEC	SIZE	
1 PLC ±0,15		APPLICATION SPEC	CAGE CODE	
2 PLC ±-		WEIGHT	DRAWING NO	
3 PLC ±-		Customer Drawing	A3 00779 C-626064	
4 PLC ±-			RESTRICTED TO	
ANGLES ±30'			SCALE	
FINISH			SHEET 1 OF 1	
MATERIAL SEE TABLE			REV K5	