



Chipsmall Limited consists of a professional team with an average of over 10 year of expertise in the distribution of electronic components. Based in Hongkong, we have already established firm and mutual-benefit business relationships with customers from,Europe,America and south Asia,supplying obsolete and hard-to-find components to meet their specific needs.

With the principle of “Quality Parts,Customers Priority,Honest Operation,and Considerate Service”,our business mainly focus on the distribution of electronic components. Line cards we deal with include Microchip,ALPS,ROHM,Xilinx,Pulse,ON,Everlight and Freescale. Main products comprise IC,Modules,Potentiometer,IC Socket,Relay,Connector.Our parts cover such applications as commercial,industrial, and automotives areas.

We are looking forward to setting up business relationship with you and hope to provide you with the best service and solution. Let us make a better world for our industry!



Contact us

Tel: +86-755-8981 8866 Fax: +86-755-8427 6832

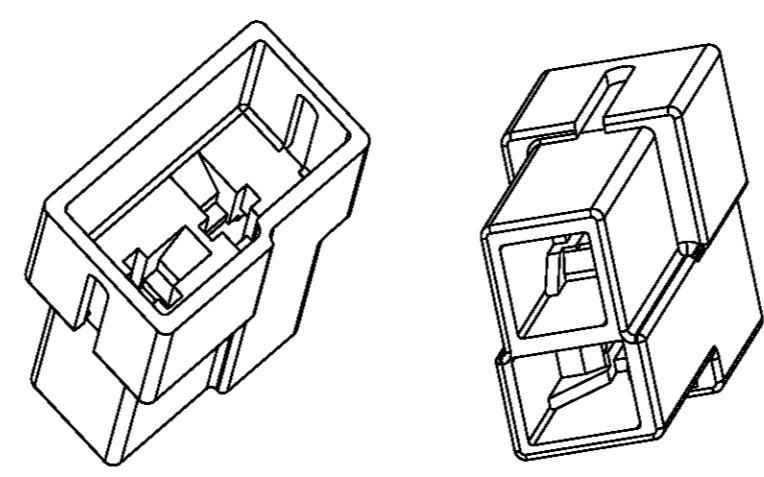
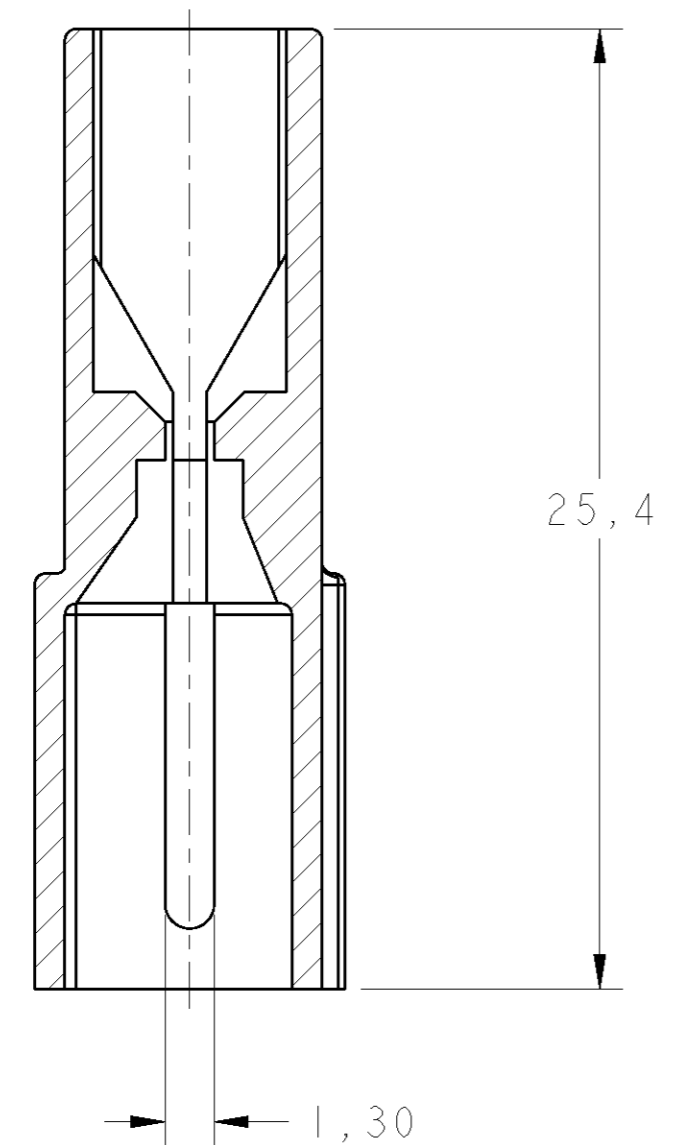
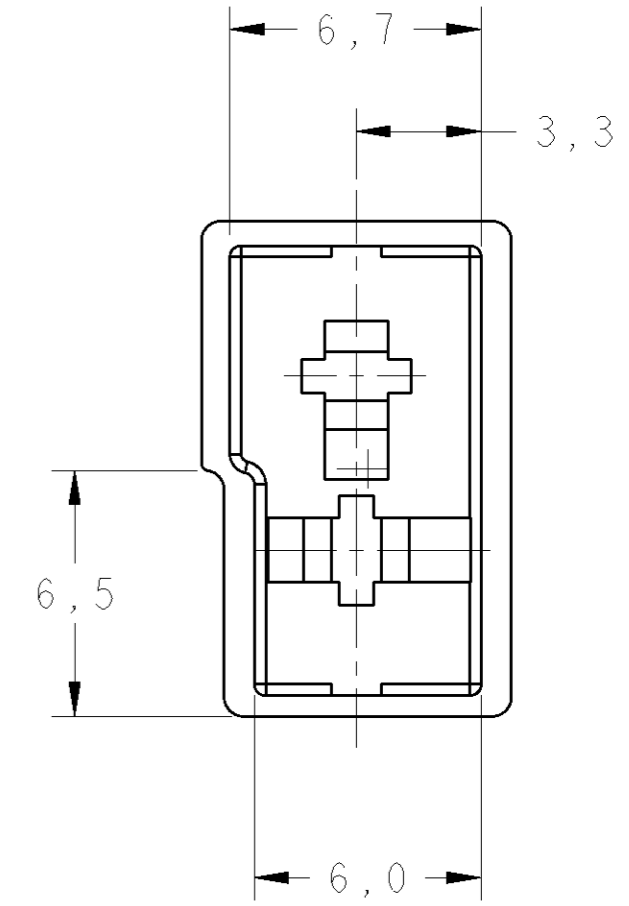
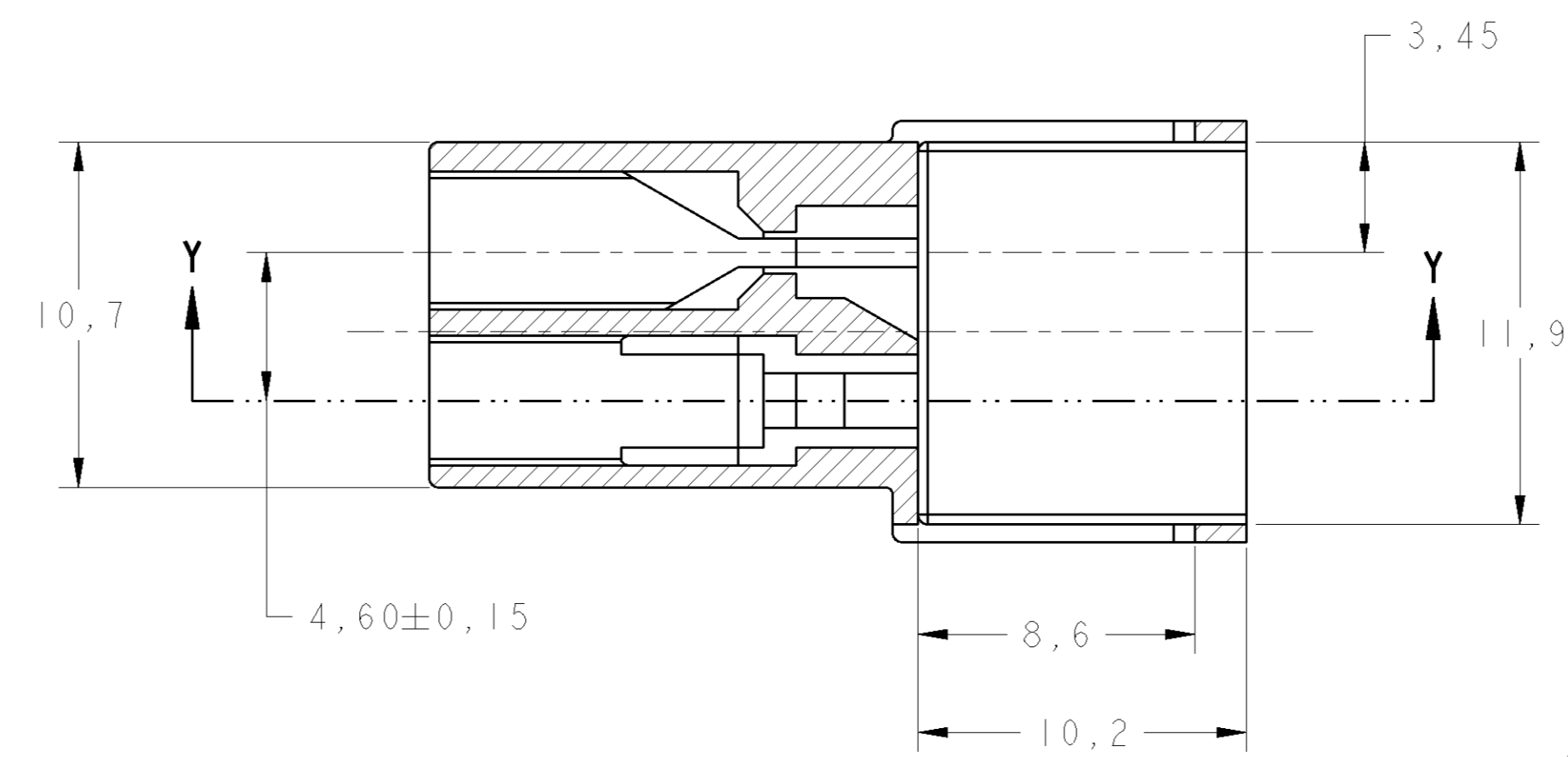
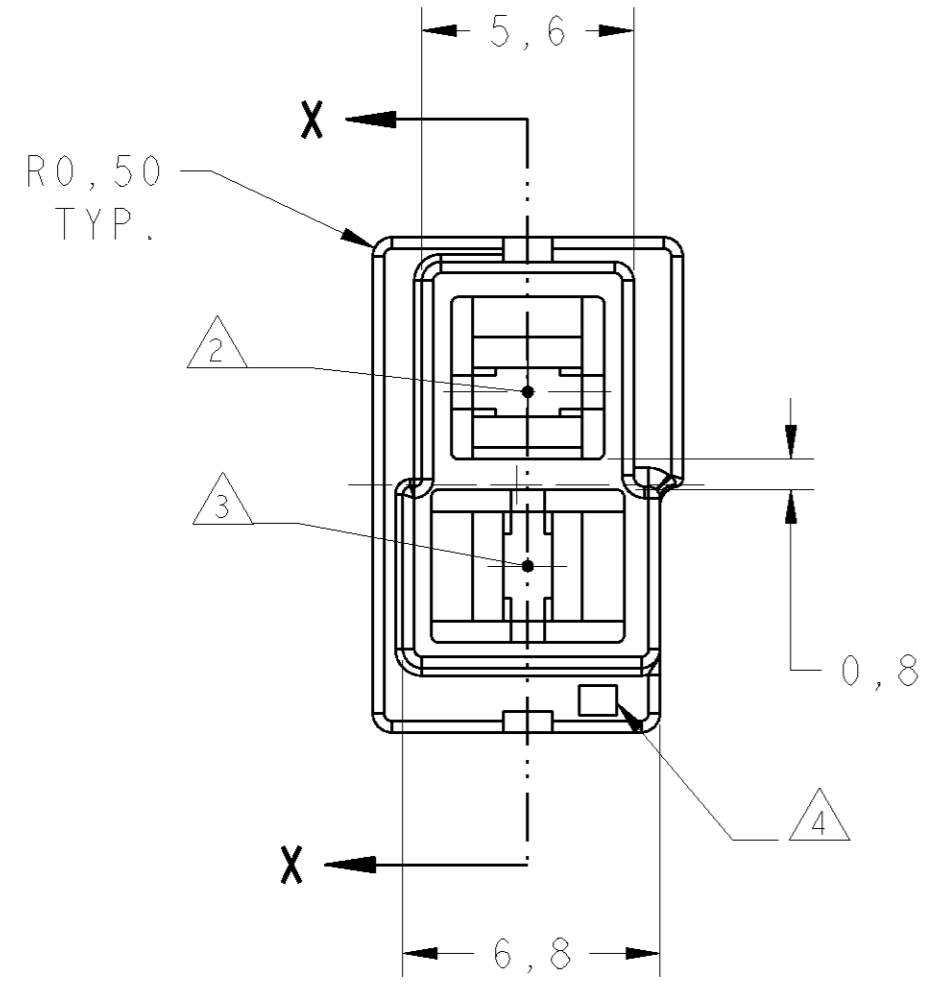
Email & Skype: info@chipsmall.com Web: www.chipsmall.com

Address: A1208, Overseas Decoration Building, #122 Zhenhua RD., Futian, Shenzhen, China



THIS DRAWING IS UNPUBLISHED. RELEASED FOR PUBLICATION 20
 © COPYRIGHT 20 BY - ALL INTERNATIONAL RIGHTS RESERVED.

REVISÕES		DATE	DWN	APVD
P	LTR	DESCRIPTION		
L5		REVISED PER ECO-11-005301	12APR11	RK HMR



PERSPECTIVE VIEW
SCALE 3:1

- △1 - MATERIA PRIMA CONFORME ESPECIF. IEC 60335-1
GWT 750° C, SEM CHAMAS.
- RAW MATERIAL ACC. TO SPEC 60335-1
GWT 750° C, WITHOUT FRAME.
- △2 - CIRCUITO 1-SOMENTE PARA REFERENCIA.
- CIRCUIT 1- FOR REFERENCE ONLY.
- △3 - CIRCUITO 2- SOMENTE PARA REFERENCIA.
- CIRCUIT 2- FOR REFERENCE ONLY.
- △4 - NÚMERO DA CAVIDADE DO MOLDE.
- MOLD CAVITY NUMBER.
- △5 - OBSOLETE PARTS: OBSOLETE CIS STREAMLINING
PER D.RENAUD/D.SINISI.

FINISH	MATERIAL	PART NUMBER
NATURAL	PA6.6 V-0	1-626065 -2
NATURAL	PA6.6-ZYTEL 103 HSL	△5 1-626065 -1
NATURAL	PBT V-0	△5 1-626065 -0
ORANGE	POLIAMIDA 6.6	△5 626065 -9
VIOLET	POLIAMIDA 6.6	△5 626065 -8
GRAY	POLIAMIDA 6.6	△5 626065 -7
BROWN	POLIAMIDA 6.6	△5 626065 -6
BLACK	POLIAMIDA 6.6	626065 -5
YELLOW	POLIAMIDA 6.6	△5 626065 -4
BLUE	POLIAMIDA 6.6	△5 626065 -3
GREEN	POLIAMIDA 6.6	△5 626065 -2
RED	POLIAMIDA 6.6	△5 626065 -1
NATURAL	POLIAMIDA 6.6	626065 -0

DIMENSIONS: mm 		TOLERANCES UNLESS OTHERWISE SPECIFIED: 0 PLC ±0,2 1 PLC ±0,3 2 PLC ± 3 PLC ± 4 PLC ± ANGLES ±30' FINISH		DWN 18FEB2011 NCLAPRESA CHK 18FEB2011 JRGOLDSCHIMDT APVD 18FEB2011 MBGODOY PRODUCT SPEC APPLICATION SPEC WEIGHT CUSTOMER DRAWING		NAME HOUSING 2 POSN., FASTIN-ON .110 TAB SIZE CAGE CODE DRAWING NO RESTRICTED TO A200779 C-626065 SCALE 5:1 SHEET OF REV L5	
-----------------------	--	--	--	--	--	--	--