



Chipsmall Limited consists of a professional team with an average of over 10 year of expertise in the distribution of electronic components. Based in Hongkong, we have already established firm and mutual-benefit business relationships with customers from,Europe,America and south Asia,supplying obsolete and hard-to-find components to meet their specific needs.

With the principle of "Quality Parts,Customers Priority,Honest Operation,and Considerate Service",our business mainly focus on the distribution of electronic components. Line cards we deal with include Microchip,ALPS,ROHM,Xilinx,Pulse,ON,Everlight and Freescale. Main products comprise IC,Modules,Potentiometer,IC Socket,Relay,Connector.Our parts cover such applications as commercial,industrial, and automotives areas.

We are looking forward to setting up business relationship with you and hope to provide you with the best service and solution. Let us make a better world for our industry!



Contact us

Tel: +86-755-8981 8866 Fax: +86-755-8427 6832

Email & Skype: info@chipsmall.com Web: www.chipsmall.com

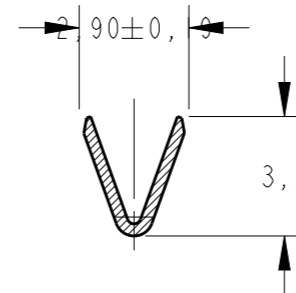
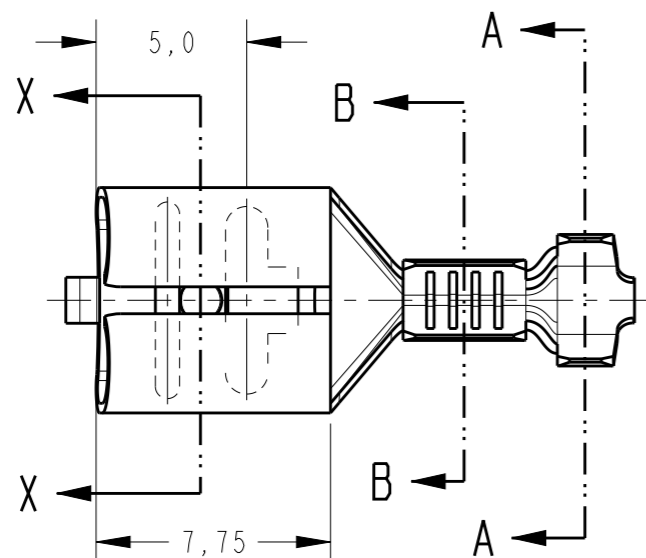
Address: A1208, Overseas Decoration Building, #122 Zhenhua RD., Futian, Shenzhen, China



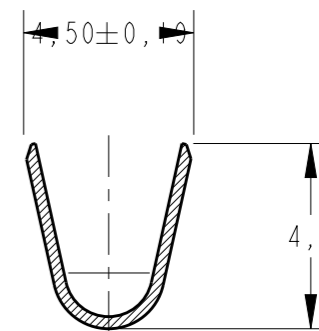
LOC AP DIST -

REVISIONS

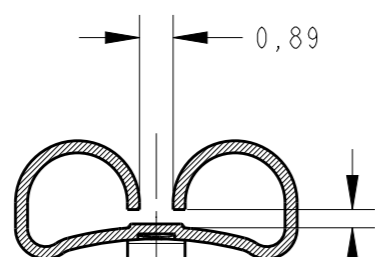
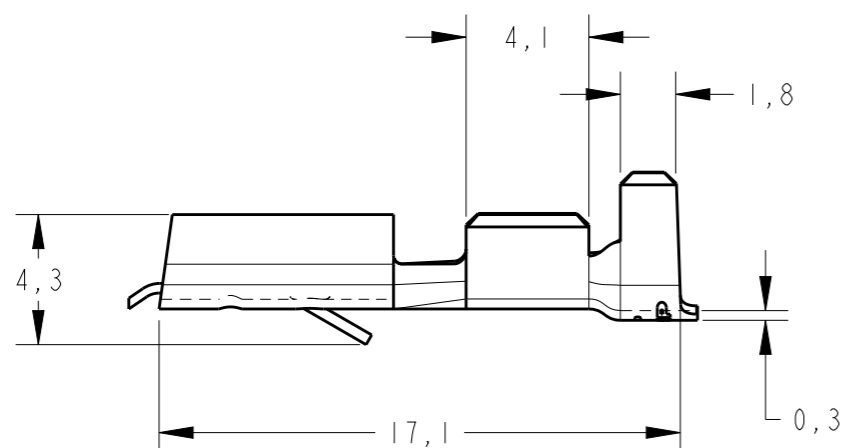
P	LTR	DESCRIPTION	DATE	DWN	APVD
J2		REDRAW BY CAD ECO-12-014149	27AUG2012	NCL	DAO
J3		REVISED BY ECO 16-003725	23JUN2016	HC	WLS



SECTION B-B
SCALE 5:1

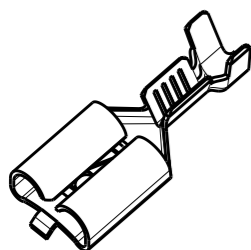


SECTION A-A
SCALE 5:1



SECTION X-X
SCALE 5:1

PARA LINGUETA DE 0,8mm ESPESSURA



PERSPECTIVE VIEW
SCALE 2:1

FINISH	MATERIAL	PART NUMBER
—	BRONZE FOSFOROSO	626094 -6
OBSOLETE PRATEADO	LATÃO / BRASS	626094 -5
OBSOLETE ESTANHADO / TIN PLATED	LATÃO / BRASS	626094 -4
OBSOLETE —	BRONZE FOSFOROSO	626094 -3
ESTANHADO / TIN PLATED	LATÃO / BRASS	626094 -2
—	LATÃO / BRASS	626094 -1

INS. RANGE	WIRE RANGE
∅2,28-3,30mm	>0,50-1,00mm ²

THIS DRAWING IS A CONTROLLED DOCUMENT.

DWN NCLAPRESA 12JUL2012
CHK JRGOLDSCHMIDT 12JUL2012
APVD DAOLIVEIRA 12JUL2012

TE Connectivity

NAME -
TERMINAL FASTIN-FASTON.250 RECEPT

SIZE A3 CAGE CODE 00779 DRAWING NO C-626094 RESTRICTED TO -

MATERIAL SEE TABLE FINISH SEE TABLE WEIGHT -

Customer Drawing SCALE - SHEET 1 OF 1 REV J3