



Chipsmall Limited consists of a professional team with an average of over 10 year of expertise in the distribution of electronic components. Based in Hongkong, we have already established firm and mutual-benefit business relationships with customers from,Europe,America and south Asia,supplying obsolete and hard-to-find components to meet their specific needs.

With the principle of “Quality Parts,Customers Priority,Honest Operation,and Considerate Service”,our business mainly focus on the distribution of electronic components. Line cards we deal with include Microchip,ALPS,ROHM,Xilinx,Pulse,ON,Everlight and Freescale. Main products comprise IC,Modules,Potentiometer,IC Socket,Relay,Connector.Our parts cover such applications as commercial,industrial, and automotives areas.

We are looking forward to setting up business relationship with you and hope to provide you with the best service and solution. Let us make a better world for our industry!



Contact us

Tel: +86-755-8981 8866 Fax: +86-755-8427 6832

Email & Skype: info@chipsmall.com Web: www.chipsmall.com

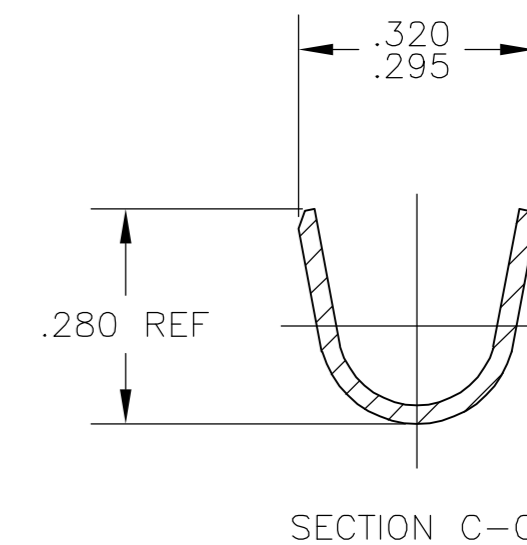
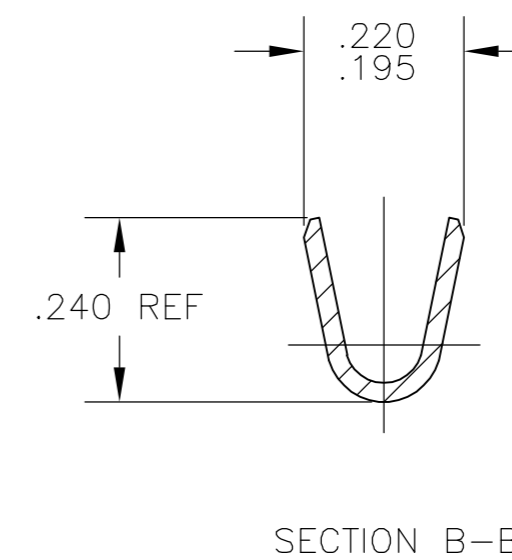
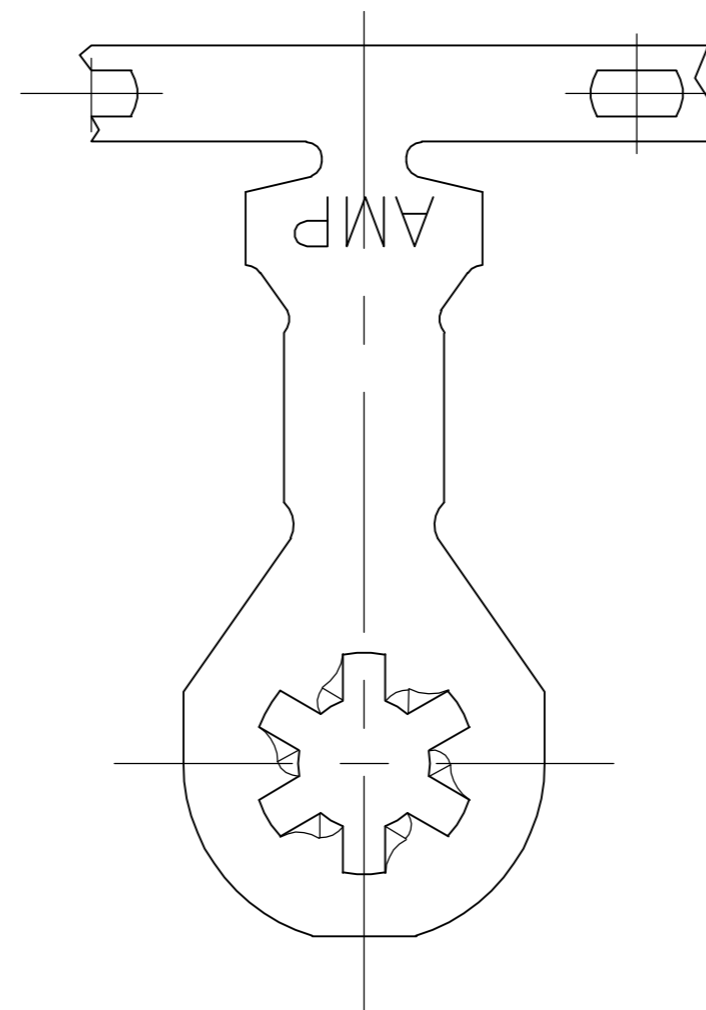
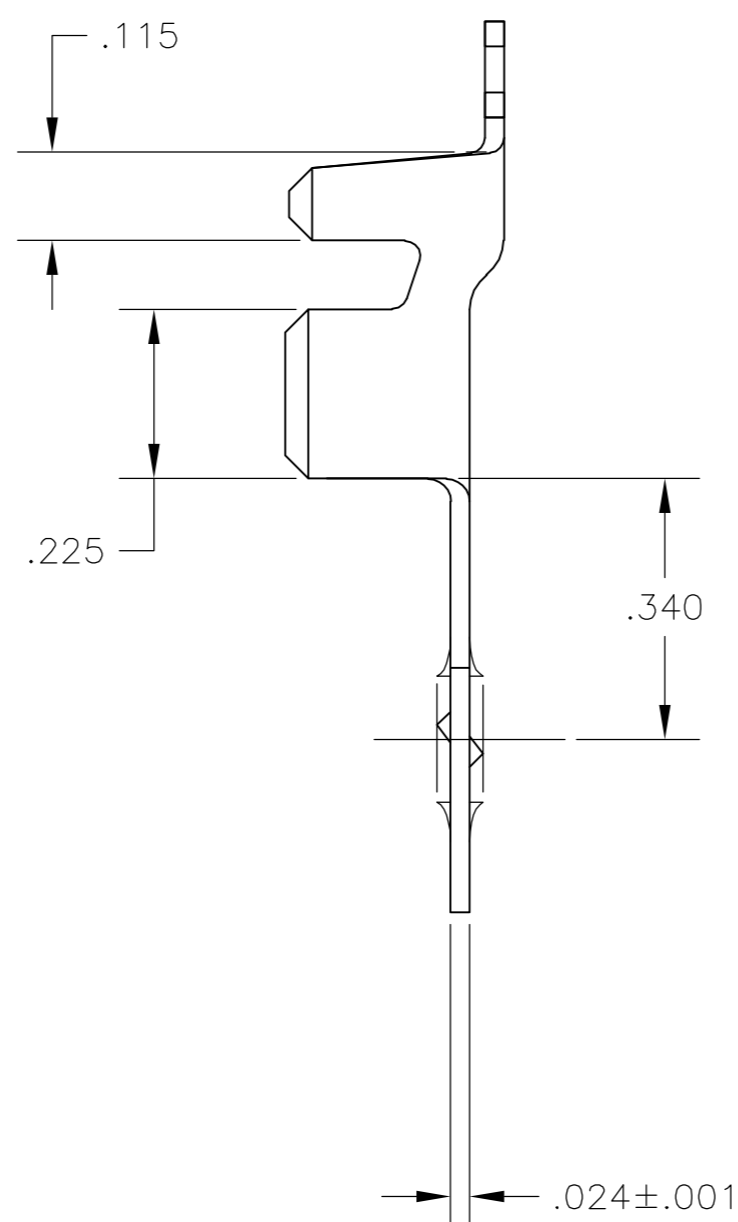
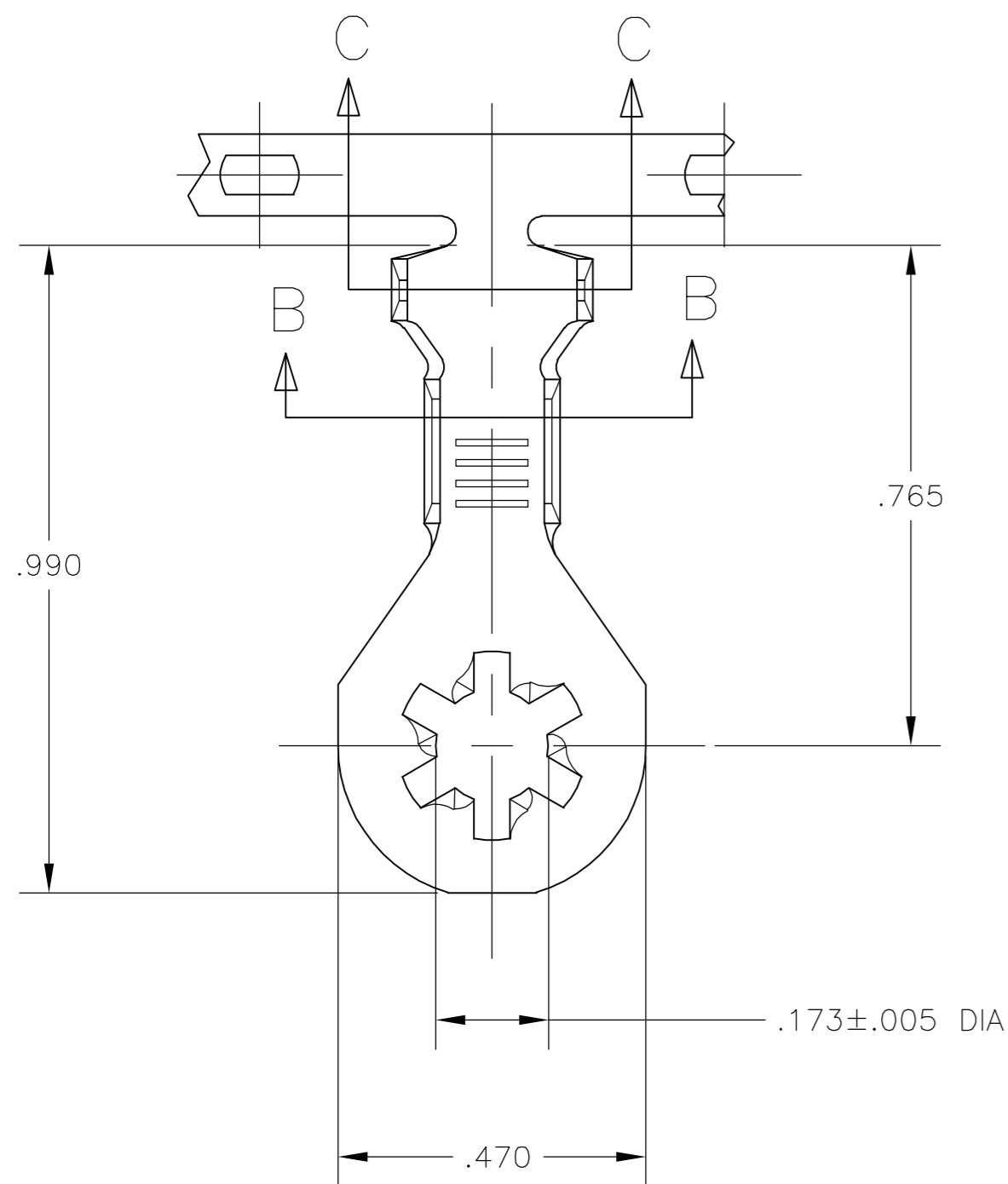
Address: A1208, Overseas Decoration Building, #122 Zhenhua RD., Futian, Shenzhen, China



THIS DRAWING IS UNPUBLISHED. RELEASED FOR PUBLICATION
 © COPYRIGHT BY TYCO ELECTRONICS CORPORATION. ALL RIGHTS RESERVED.

LOC	DIST	REVISIONS			
P	LTR	DESCRIPTION	DATE	DWN	APVD
AF	50	C	REVISED PER OG3A-0923-04	30NOV04	MF DD

- CONTINUOUS STRIP ON REELS.
- WIRE RANGE: #12-#10 AWG,
INSULATION RANGE: .125-.220 DIA.



FINISH	MATERIAL	PART NUMBER
.000080 MIN TIN PLATE	TEMP 2 COLD ROLLED STEEL	62612-2
-	ANNEALED STAINLESS STEEL	62612-1

THIS DRAWING IS A CONTROLLED DOCUMENT.		DWN 17NOV2004 MICHAEL S. FEHER	Tyco Electronics Corporation Harrisburg, Pa 17105-3608
DIMENSIONS: INCHES		CHK 30NOV2004 DONALD F. DECKER	
TOLERANCES UNLESS OTHERWISE SPECIFIED:		APVD 30NOV2004 DONALD F. DECKER	
0 PLC ± - 1 PLC ± - 2 PLC ± - 3 PLC ± .010 4 PLC ± - ANGLES ± - FINISH SEE TABLE		NAME RING, ANTIROTATIONAL, 8 STUD SIZE	
MATERIAL SEE TABLE	FINISH SEE TABLE	WEIGHT -	SIZE A2 CAGE CODE 00779 DRAWING NO C=62612 RESTRICTED TO - SCALE 5:1 SHEET 1 OF 1 REV C