



Chipsmall Limited consists of a professional team with an average of over 10 year of expertise in the distribution of electronic components. Based in Hongkong, we have already established firm and mutual-benefit business relationships with customers from,Europe,America and south Asia,supplying obsolete and hard-to-find components to meet their specific needs.

With the principle of “Quality Parts,Customers Priority,Honest Operation,and Considerate Service”,our business mainly focus on the distribution of electronic components. Line cards we deal with include Microchip,ALPS,ROHM,Xilinx,Pulse,ON,Everlight and Freescale. Main products comprise IC,Modules,Potentiometer,IC Socket,Relay,Connector.Our parts cover such applications as commercial,industrial, and automotives areas.

We are looking forward to setting up business relationship with you and hope to provide you with the best service and solution. Let us make a better world for our industry!



## Contact us

Tel: +86-755-8981 8866 Fax: +86-755-8427 6832

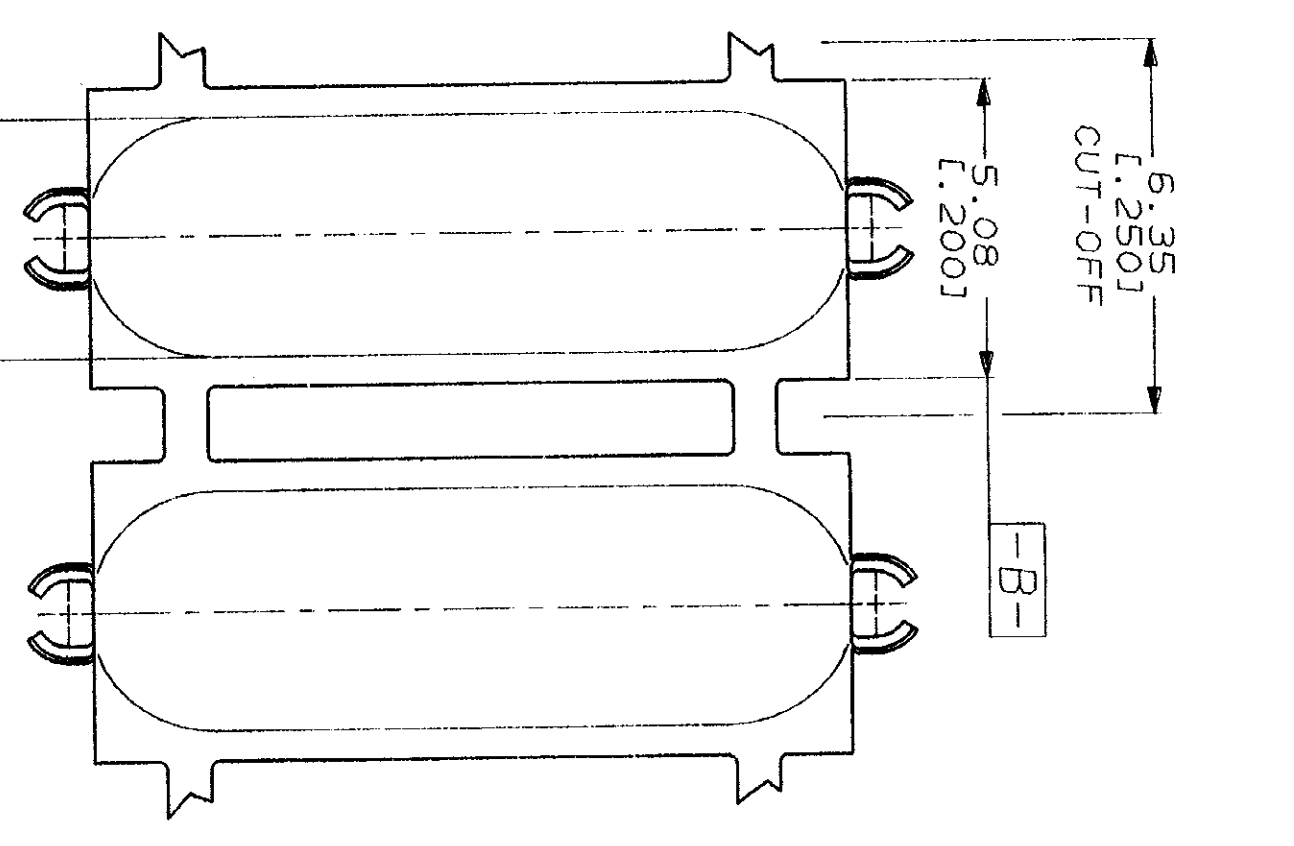
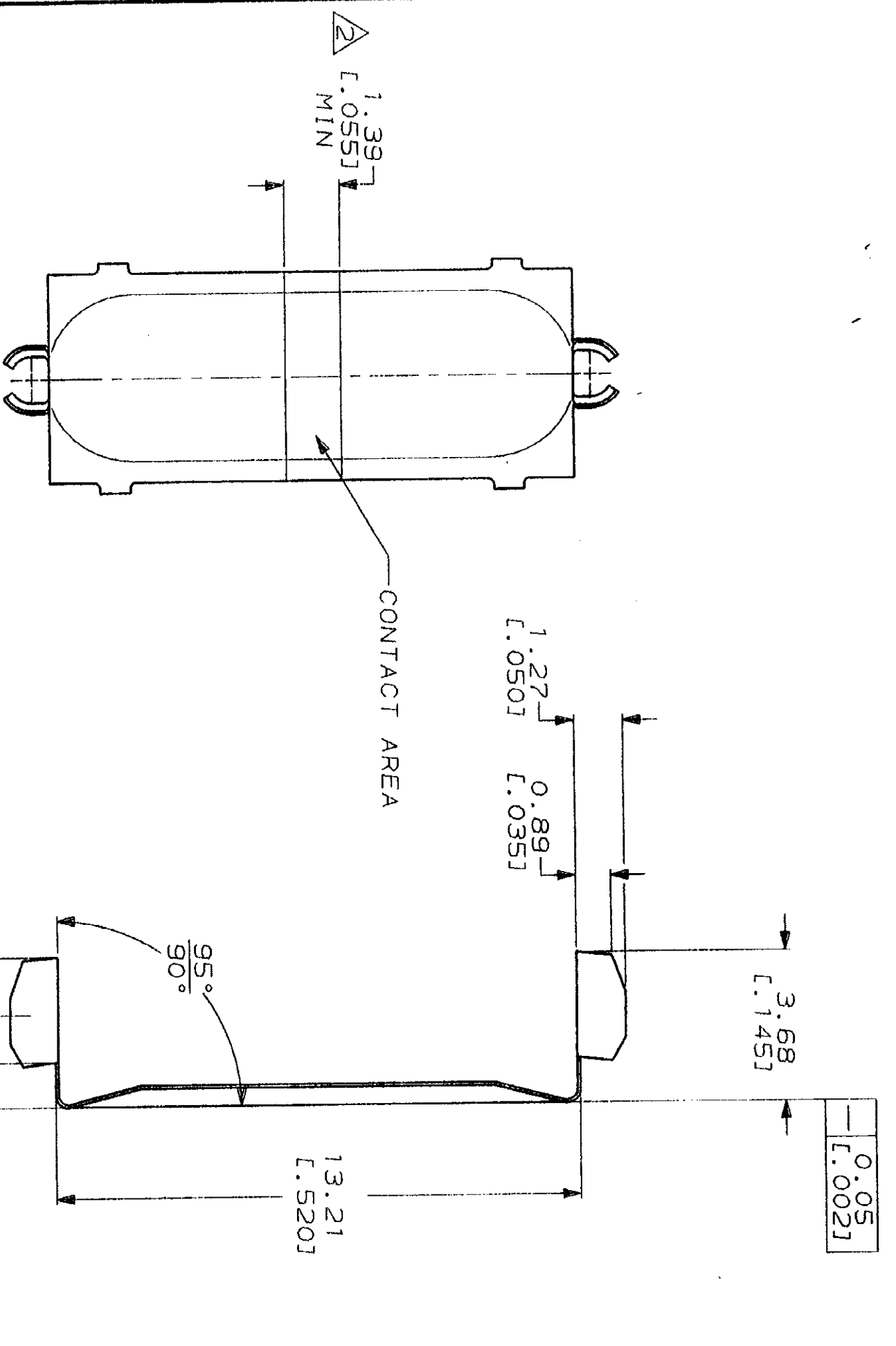
Email & Skype: info@chipsmall.com Web: www.chipsmall.com

Address: A1208, Overseas Decoration Building, #122 Zhenhua RD., Futian, Shenzhen, China



DRAWING MADE IN THIRD ANGLE PROJECTION  
 THIS DRAWING IS UNPUBLISHED. RELEASED FOR PUBLICATION  
 BY AMP INCORPORATED, MORRISBURG, PA. ALL INTERNATIONAL RIGHTS  
 RESERVED. AMP PRODUCTS MAY BE COVERED BY U.S. AND FOREIGN PATENTS AND/OR PATENTS PENDING.

LOC	DISP	REV	DESCRIPTION	DATE	APPROVED
AF	52	F	REDWN PER AF-4822	6/2/87	1/87



- 1 TIN ON OUTSIDE OF MOUNTING LEGS ONLY.
- 2 .000030 MIN GOLD IN CONTACT AREA ONLY.
- 3 SEE DWG 62313 FOR BUTTON CONTACT.
- 4 THIS DRAWING IS RESTRICTED FOR FORD MOTOR CO., DELCO REMY, AND VEEDER-ROOT CO.
- 5 DIMENSIONS IN BRACKETS ARE IN INCHES.

**METRIC**

UNLESS OTHERWISE SPECIFIED DIMENSIONS ARE IN mm TOLERANCES ON:		DR	4/8/87	NAME	
2 PL DEC ±0.25 [L.010]		CHK	5/18/87	AMP SWITCH, KEYBOARD, HIGH FORCE	
3 PL DEC ± ANGLES ±		APP'D	7/18/87	AMP INCORPORATED MORRISBURG, PA. 17105	
MATERIAL 0.08 [L.003] THK STAINLESS STEEL		APP'D	7/10/87		
FINISH SEE TABLE		PRODUCT SPEC	108-2018		
		APPLICATION SPEC	114-2014		
		WEIGHT			
		SCALE	8:1	SHEET 1 OF 1	

P/N ON STRIP	REMARKS	FINISH	PART NO
62644-2	LOOSE PIECE	A	62614-2
62644-1	LOOSE PIECE	A	62614-1