



Chipsmall Limited consists of a professional team with an average of over 10 year of expertise in the distribution of electronic components. Based in Hongkong, we have already established firm and mutual-benefit business relationships with customers from,Europe,America and south Asia,supplying obsolete and hard-to-find components to meet their specific needs.

With the principle of "Quality Parts,Customers Priority,Honest Operation,and Considerate Service",our business mainly focus on the distribution of electronic components. Line cards we deal with include Microchip,ALPS,ROHM,Xilinx,Pulse,ON,Everlight and Freescale. Main products comprise IC,Modules,Potentiometer,IC Socket,Relay,Connector.Our parts cover such applications as commercial,industrial, and automotives areas.

We are looking forward to setting up business relationship with you and hope to provide you with the best service and solution. Let us make a better world for our industry!



## Contact us

Tel: +86-755-8981 8866 Fax: +86-755-8427 6832

Email & Skype: info@chipsmall.com Web: www.chipsmall.com

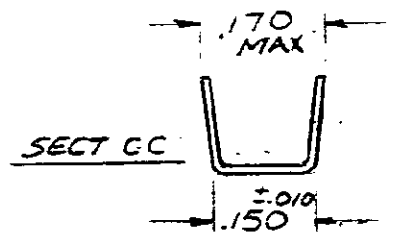
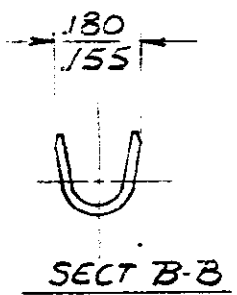
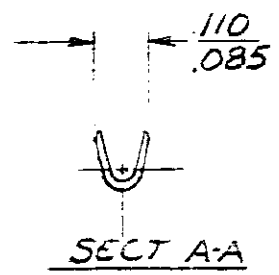
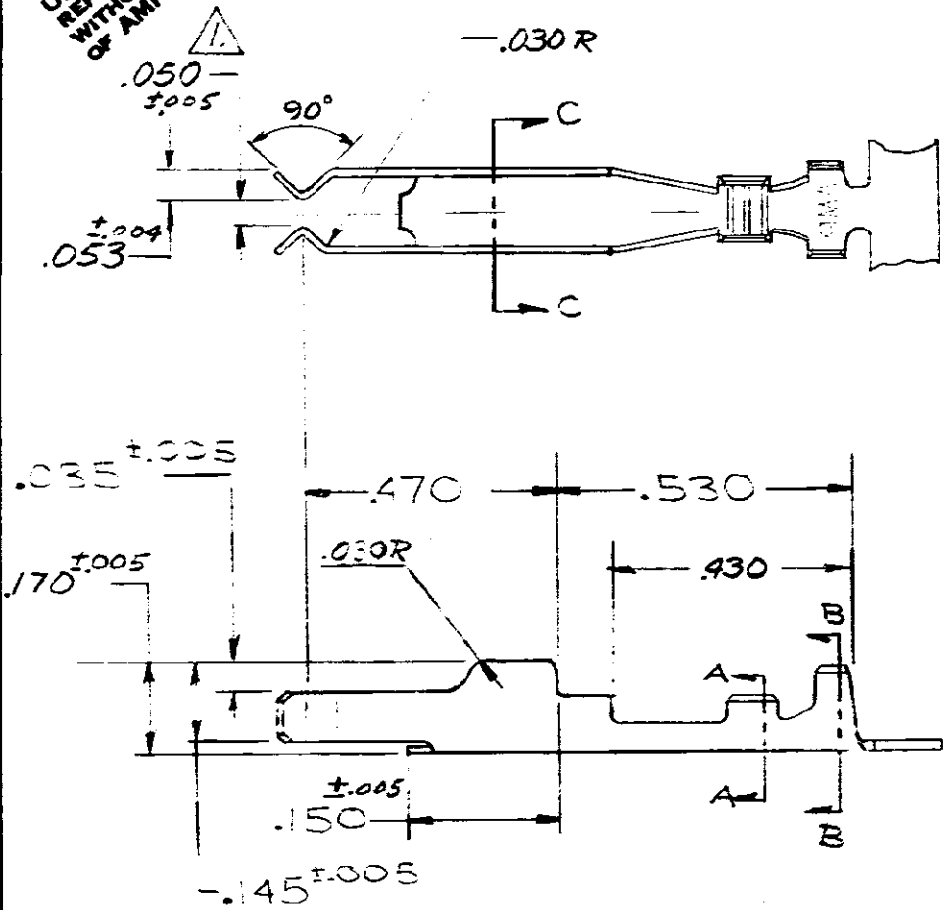
Address: A1208, Overseas Decoration Building, #122 Zhenhua RD., Futian, Shenzhen, China



© COPYRIGHT 1977 BY AMP INCORPORATED, HARRISBURG, PA. ALL INTERNATIONAL RIGHTS RESERVED. AMP INCORPORATED PRODUCTS COVERED BY U.S. AND FOREIGN PATENTS OR PATENTS PENDING.


UNPUBLISHED COPY OF THIS DRAWING REPRODUCED OR TRANSMITTED IN ANY FORM OR BY ANY MEANS WITHOUT WRITTEN PERMISSION OF AMP INCORPORATED

REVISIONS			
LTR	DESCRIPTION	DATE	APPROVED
A	REVISED	11-8-77	WSD/RS.
B	ADDED SECT CC A-3848	1-26-78	GL
C	RELEASED P.A.R.	3/6/78	GL
D	RELEASED A-4431	4/3/79	GL
E	.053 WAS .050 A47	4-17-80	D.S.



⚠ .050 ± .005 TO BE HELD WHEN .170 MAX IS CLOSED TO .150 ± .010

CONTINUOUS STRIP ON REELS	.074-.130	22-18	62622-1
	INSUL RANGE	WIRE RANGE	PART NO

UNLESS OTHERWISE SPECIFIED DIMENSIONS ARE IN INCHES. TOLERANCES ON: DECIMALS ± .015 ANGLES ± 1°	CONTRACT NO	 <b>AMP INCORPORATED</b> Harrisburg, Pa.
	DR <i>G YETTER 4/11/77</i>	
MATERIAL <b>.014 BRASS</b>	CHK <i>[Signature] 4/11/77</i>	NAME <b>LAMP CONTACT</b>
	APPD <i>[Signature] 4/11/77</i>	
FINISH <b>NONE</b>	DSGN APPD	SIZE <b>A</b>
	OTHER APPD	CODE IDENT NO <b>00779</b>
		DRAWING NO <b>62622</b>
		SCALE
		SHEET