



Chipsmall Limited consists of a professional team with an average of over 10 year of expertise in the distribution of electronic components. Based in Hongkong, we have already established firm and mutual-benefit business relationships with customers from,Europe,America and south Asia,supplying obsolete and hard-to-find components to meet their specific needs.

With the principle of "Quality Parts,Customers Priority,Honest Operation,and Considerate Service",our business mainly focus on the distribution of electronic components. Line cards we deal with include Microchip,ALPS,ROHM,Xilinx,Pulse,ON,Everlight and Freescale. Main products comprise IC,Modules,Potentiometer,IC Socket,Relay,Connector.Our parts cover such applications as commercial,industrial, and automotives areas.

We are looking forward to setting up business relationship with you and hope to provide you with the best service and solution. Let us make a better world for our industry!



## Contact us

Tel: +86-755-8981 8866 Fax: +86-755-8427 6832

Email & Skype: info@chipsmall.com Web: www.chipsmall.com

Address: A1208, Overseas Decoration Building, #122 Zhenhua RD., Futian, Shenzhen, China



THIS DRAWING IS UNPUBLISHED.

RELEASED FOR PUBLICATION

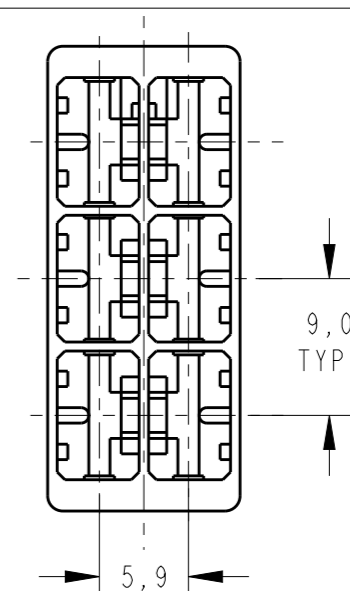
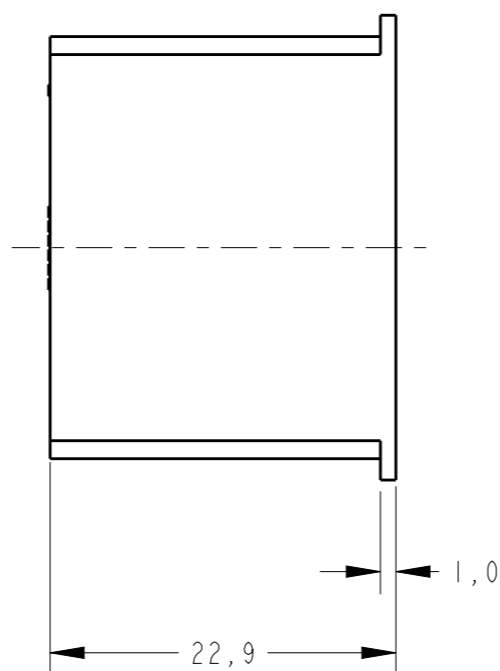
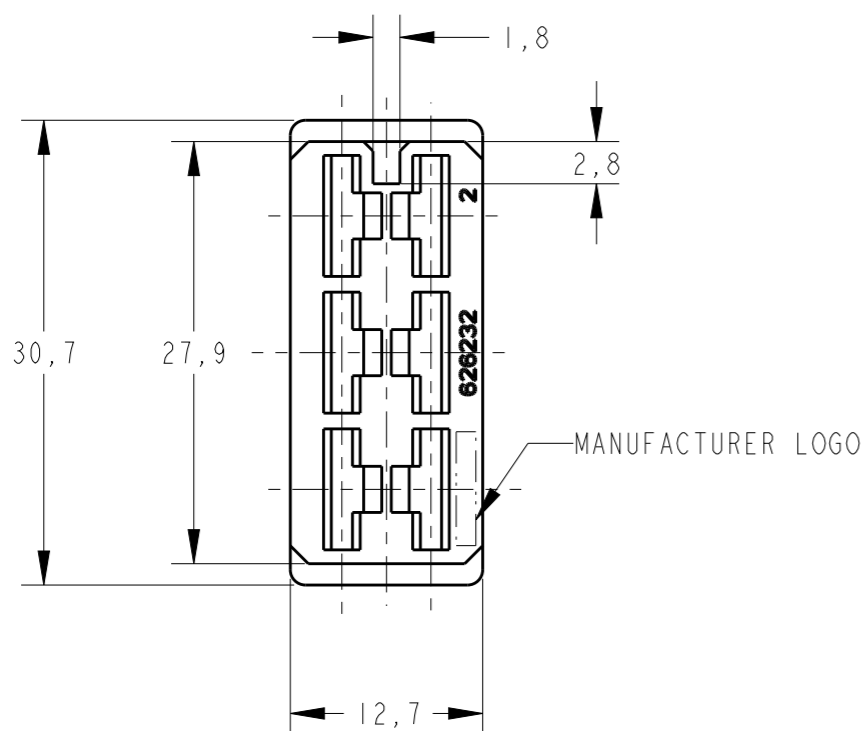
20

© COPYRIGHT 20 BY -

ALL RIGHTS RESERVED.

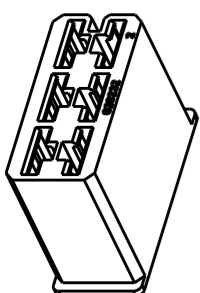
REVISIONS

P	LTR	DESCRIPTION	DATE	DWN	APVD
	C3	REDRAWN AND REVISED BY ECO-16-006712	10MAY2016	HC	WLS



1-WALL THICKNESS 0,8.  
2-INTERCHANGEABLE WITH PN-140884.

OBSOLETE	DYED BLUE	PA 6.6	1-626232-6
OBSOLETE	DYED GRAY	PA 6.6	1-626232-5
OBSOLETE	DYED BLACK	PA 6.6	1-626232-4
OBSOLETE	DYED YELLOW	PA 6.6	1-626232-3
OBSOLETE	DYED RED	PA 6.6	1-626232-2
OBSOLETE	DYED GREEN	PA 6.6	1-626232-1
OBSOLETE	WHITE	PA 6.6	1-616232-0
OBSOLETE	BROWN	PA 6.6	626232-9
OBSOLETE	ORANGE	PA 6.6	626232-8
OBSOLETE	VIOLET	PA 6.6	626232-7
OBSOLETE	BLUE	PA 6.6	626232-6
OBSOLETE	GRAY	PA 6.6	626232-5
OBSOLETE	BLACK	PA 6.6	626232-4
OBSOLETE	YELLOW	PA 6.6	626232-3
OBSOLETE	RED	PA 6.6	626232-2
OBSOLETE	GREEN	PA 6.6	626232-1
	NATURAL	PA 6.6	626232-0
NOTE	FINISH	MATERIAL	PART NUMBER



THIS DRAWING IS A CONTROLLED DOCUMENT.

DWN 09MAY2016 H.C.CANTER

CHK 12MAY2016 W.L.STEFANI

APVD -

PRODUCT SPEC -

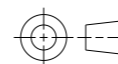
APPLICATION SPEC -

WEIGHT -

CUSTOMER DRAWING

DIMENSIONS:

mm



TOLERANCES UNLESS OTHERWISE SPECIFIED:

- 0 PLC ±-
- 1 PLC ±0,3
- 2 PLC ±-
- 3 PLC ±-
- 4 PLC ±-
- ANGLES ±1°

MATERIAL -

FINISH -



TE Connectivity

NAME 6 CIRCUIT FAST-IN-ON REC.HSG.250S

SIZE A3 CAGE CODE - DRAWING NO C-626232 RESTRICTED TO -

SCALE 2:1 SHEET 1 OF 1 REV C3