



Chipsmall Limited consists of a professional team with an average of over 10 year of expertise in the distribution of electronic components. Based in Hongkong, we have already established firm and mutual-benefit business relationships with customers from,Europe,America and south Asia,supplying obsolete and hard-to-find components to meet their specific needs.

With the principle of "Quality Parts,Customers Priority,Honest Operation,and Considerate Service",our business mainly focus on the distribution of electronic components. Line cards we deal with include Microchip,ALPS,ROHM,Xilinx,Pulse,ON,Everlight and Freescale. Main products comprise IC,Modules,Potentiometer,IC Socket,Relay,Connector.Our parts cover such applications as commercial,industrial, and automotives areas.

We are looking forward to setting up business relationship with you and hope to provide you with the best service and solution. Let us make a better world for our industry!



Contact us

Tel: +86-755-8981 8866 Fax: +86-755-8427 6832

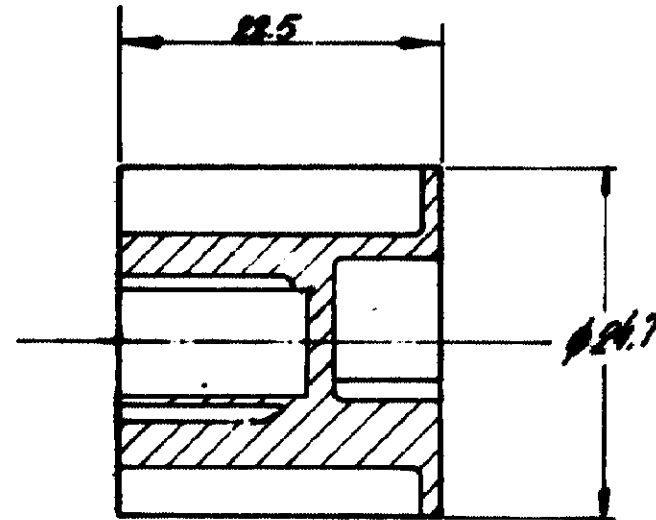
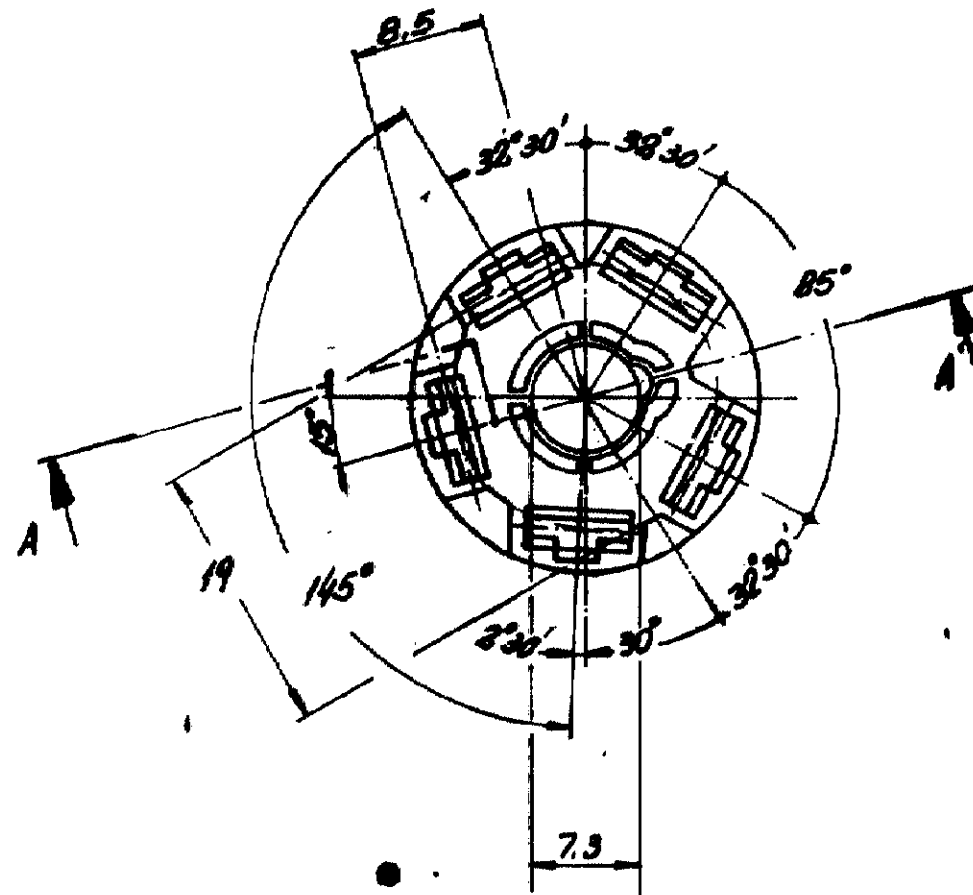
Email & Skype: info@chipsmall.com Web: www.chipsmall.com

Address: A1208, Overseas Decoration Building, #122 Zhenhua RD., Futian, Shenzhen, China

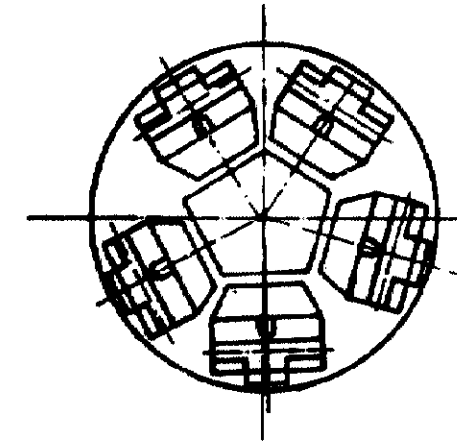


Copyright 1979. by AMP DO BRASIL - S. P. All International Rights Reserved.
AMP Incorporated products covered by U. S. and Foreign patents and/or patents pending.

REVISIONS						
P.	F.	ZONE	LTR	DESCRIPTION	DATE	APPROVED
		B1,3	0-1	Ø 7,3 era 11,5 ; ACRESC. POLARIZACÃO	9-3-81	<i>[Signature]</i>
		B1	2	NYLON 6 ERA NYLON 6/6	27-3-82	<i>[Signature]</i>
		✓ B1	C	POLIAMIDA 6.6 ERA POLIAMIDA 6.6	25/10/85	<i>[Signature]</i>
			C1	REVISED PER ECO-09-026444	27NOV09	KK AEG



SECCÃO AA



△ OBSOLETE PARTS: OBSOLETE CIS STREAMLINING PER D.RENAUD/D.SINISI

△ OBSOLETE

PRETO	POLIAMIDA 6.6	-2
BRUNO	POLIAMIDA 6.6	626 240-1
COR	MATERIAL	PART NO

UNLESS OTHERWISE SPECIFIED DIMENSIONS ARE IN DECIMALS ± ANGLES ±		CONTRACT NO		AMP DO BRASIL S. Paulo - Brasil	
MATERIAL		DR C.C. LIMA 19/11/79		NAME	
VER TABELA		CHK U. ROCHA 20/1/79		5WAY .250 FASTIN-ON REC. HSG.	
FINISH		APPD		DRAWING NO	
VER TABELA		APPD		626 240	
		MTR. RANGE		SIZE	
		INS. RANGE		B	
				LOC AP.	
				SCALE 2/	
				SHEET 1 of 1	
				C1	

CUSTOMER DRAWING