



Chipsmall Limited consists of a professional team with an average of over 10 year of expertise in the distribution of electronic components. Based in Hongkong, we have already established firm and mutual-benefit business relationships with customers from,Europe,America and south Asia,supplying obsolete and hard-to-find components to meet their specific needs.

With the principle of "Quality Parts,Customers Priority,Honest Operation,and Considerate Service",our business mainly focus on the distribution of electronic components. Line cards we deal with include Microchip,ALPS,ROHM,Xilinx,Pulse,ON,Everlight and Freescale. Main products comprise IC,Modules,Potentiometer,IC Socket,Relay,Connector.Our parts cover such applications as commercial,industrial, and automotives areas.

We are looking forward to setting up business relationship with you and hope to provide you with the best service and solution. Let us make a better world for our industry!



Contact us

Tel: +86-755-8981 8866 Fax: +86-755-8427 6832

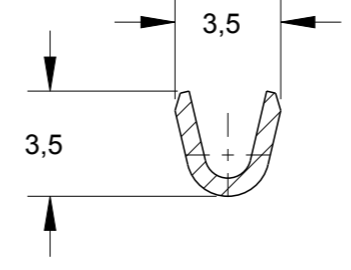
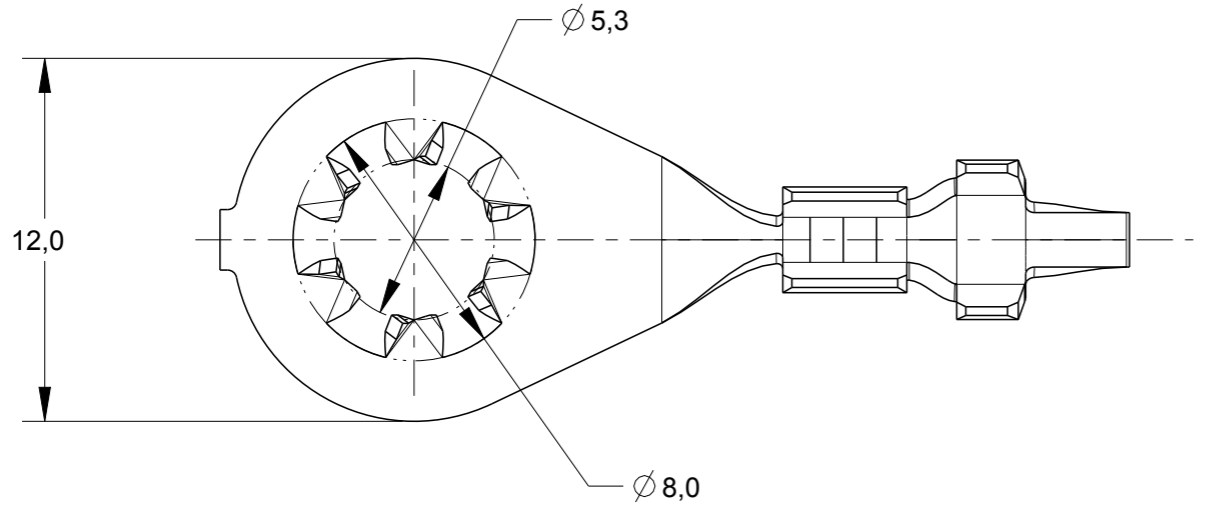
Email & Skype: info@chipsmall.com Web: www.chipsmall.com

Address: A1208, Overseas Decoration Building, #122 Zhenhua RD., Futian, Shenzhen, China

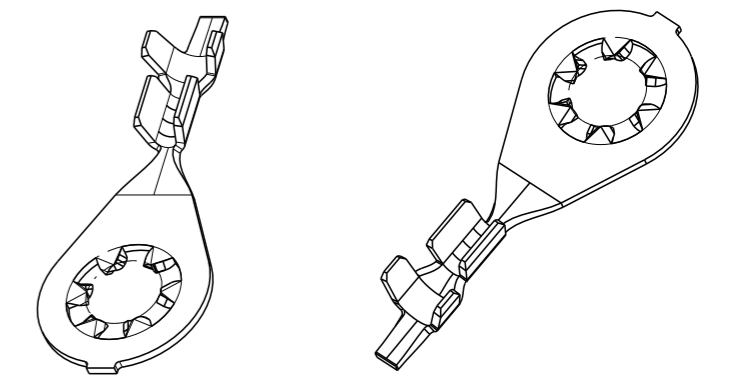


THIS DRAWING IS UNPUBLISHED. RELEASED FOR PUBLICATION 20
 © COPYRIGHT20 BY - ALL RIGHTS RESERVED.

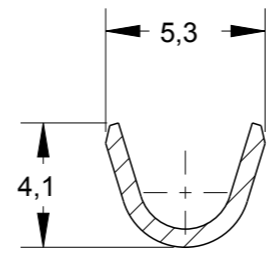
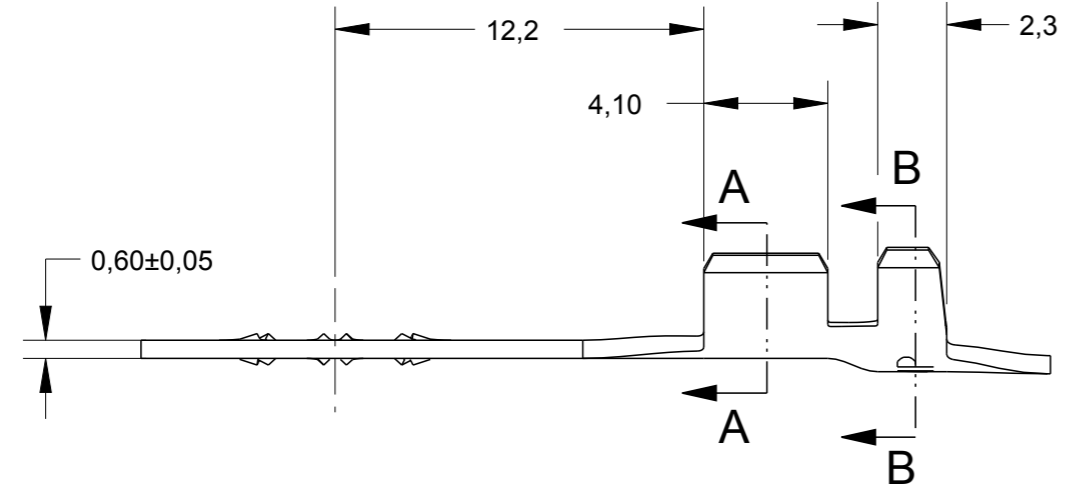
LOC	DIST	REVISIONS			
P	LTR	DESCRIPTION	DATE	DWN	APVD
-	-	C1	REDESIGNED BY ECO-12-008349	01JUN2012	FC GOJ



SECTION A-A



PERSPECTIVE VIEW SCALE 2:1



SECTION B-B

WIRE RANGE (mm ²) 0,5 - 1,50	TIM PLATED	BRONZE FOSF. / PHOSP. BR.	626279-4
INSUL/ RANGE (∅ mm) 2,0 - 3,0	PLAIN / NU	BRONZE FOSF. / PHOSP. BR.	626279-3
SURF AREA 50 mm	TIM PLATED	LATÃO / BRASS	626279-2
	PLAIN / NU	LATÃO / BRASS	626279-1
	FINISH	MATERIAL	PART NO

THIS DRAWING IS A CONTROLLED DOCUMENT.		DWN 01JUN2012 F.CHAPELA			
DIMENSIONS: mm		CHK 01JUN2012 J.R.GOLDSCHIDT			NAME
TOLERANCES UNLESS OTHERWISE SPECIFIED:		APVD 01JUN2012 G.OLIVEIRA			RING TONGUE (ANTIROTATIONAL)
0 PLC ±- 1 PLC ±0,3 2 PLC ±- 3 PLC ±- 4 PLC ±- ANGLES ±1°		PRODUCT SPEC			SIZE
MATERIAL -	FINISH -	APPLICATION SPEC	CAGE CODE	DRAWING NO	RESTRICTED TO
		WEIGHT -	A3 00779	C-626279C	-
CUSTOMER DRAWING			SCALE 4:1	SHEET 1 OF 1	REV C1

