



Chipsmall Limited consists of a professional team with an average of over 10 year of expertise in the distribution of electronic components. Based in Hongkong, we have already established firm and mutual-benefit business relationships with customers from,Europe,America and south Asia,supplying obsolete and hard-to-find components to meet their specific needs.

With the principle of “Quality Parts,Customers Priority,Honest Operation,and Considerate Service”,our business mainly focus on the distribution of electronic components. Line cards we deal with include Microchip,ALPS,ROHM,Xilinx,Pulse,ON,Everlight and Freescale. Main products comprise IC,Modules,Potentiometer,IC Socket,Relay,Connector.Our parts cover such applications as commercial,industrial, and automotives areas.

We are looking forward to setting up business relationship with you and hope to provide you with the best service and solution. Let us make a better world for our industry!



## Contact us

Tel: +86-755-8981 8866 Fax: +86-755-8427 6832

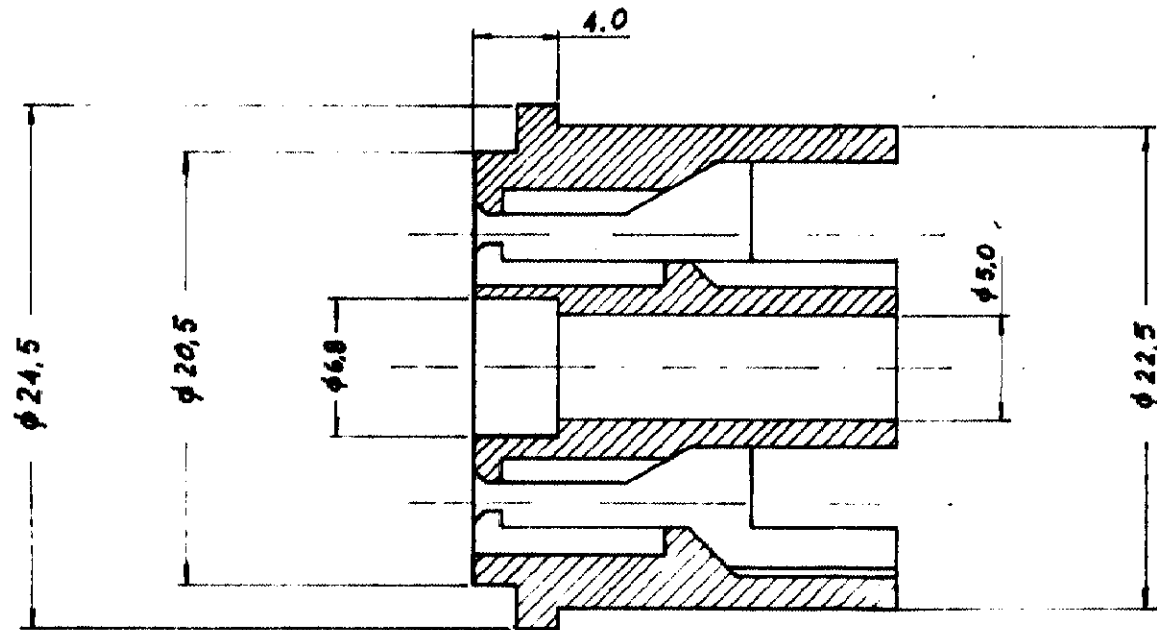
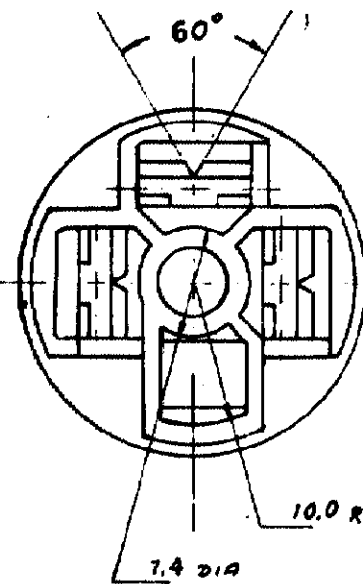
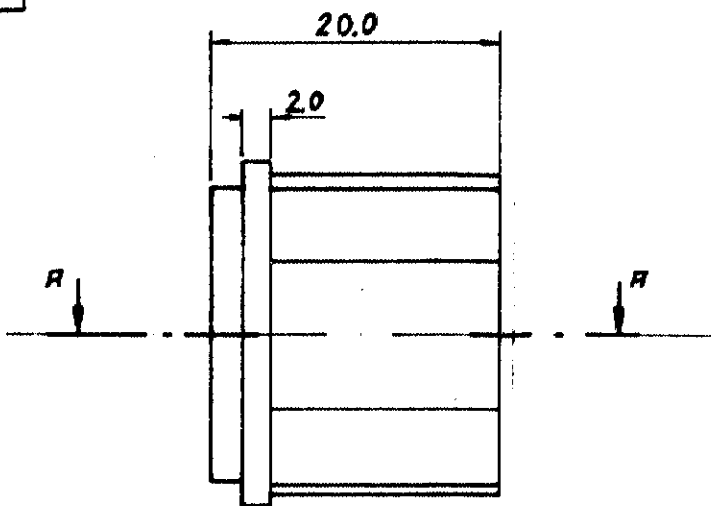
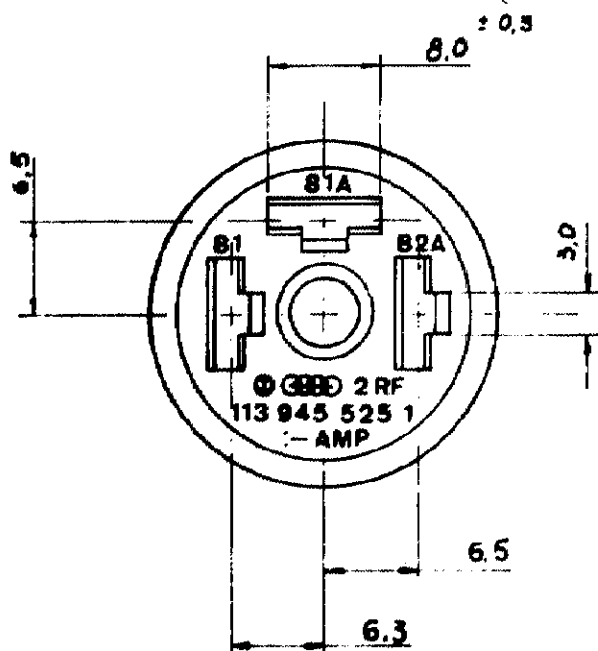
Email & Skype: info@chipsmall.com Web: www.chipsmall.com

Address: A1208, Overseas Decoration Building, #122 Zhenhua RD., Futian, Shenzhen, China



© Copyright 1975 by AMP DO BRASIL - S. P. All International Rights Reserved.  
AMP Incorporated products covered by U. S. and Foreign patents and/or patents pending

REVISIONS					
P	ZONE	LTR	DESCRIPTION	DATE	APPROVED
1					



SECCÃO 'A-A'  
ESCALA 3:1

NATURAL	POLIAMIDA 6/6	626 311-0
COLOR	MATERIAL	PART NO

UNLESS OTHERWISE SPECIFIED DIMENSIONS ARE IN INCHES. TOLERANCES ON: DECIMALS ± 0,2mm ANGLES ±	CONTRACT NO
	DR <i>K. B. Lima</i> 16/10/75
	CHK
	APPD
	APPO
MATERIAL	VEJA TABELA
FINISH	
DSGN APPD	
OTHER APPD	

AMP DO BRASIL S. Paulo - Brasil	
NAME	
3 WAY .250 FASTEN-ON REC. HSG.	
SIZE	LOC AP.
B	
DRAWING NO	
626 311	
SCALE	SHEET
2:1	1-1 REV. C