



Chipsmall Limited consists of a professional team with an average of over 10 year of expertise in the distribution of electronic components. Based in Hongkong, we have already established firm and mutual-benefit business relationships with customers from,Europe,America and south Asia,supplying obsolete and hard-to-find components to meet their specific needs.

With the principle of “Quality Parts,Customers Priority,Honest Operation,and Considerate Service”,our business mainly focus on the distribution of electronic components. Line cards we deal with include Microchip,ALPS,ROHM,Xilinx,Pulse,ON,Everlight and Freescale. Main products comprise IC,Modules,Potentiometer,IC Socket,Relay,Connector.Our parts cover such applications as commercial,industrial, and automotives areas.

We are looking forward to setting up business relationship with you and hope to provide you with the best service and solution. Let us make a better world for our industry!



Contact us

Tel: +86-755-8981 8866 Fax: +86-755-8427 6832

Email & Skype: info@chipsmall.com Web: www.chipsmall.com

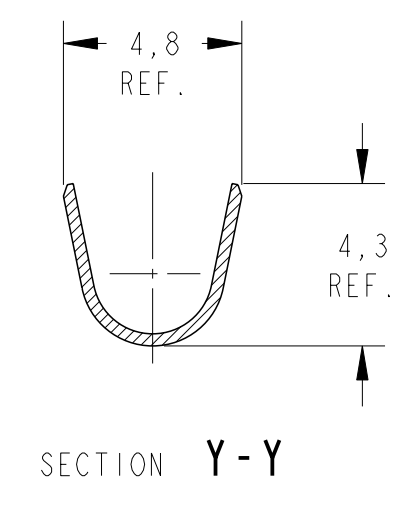
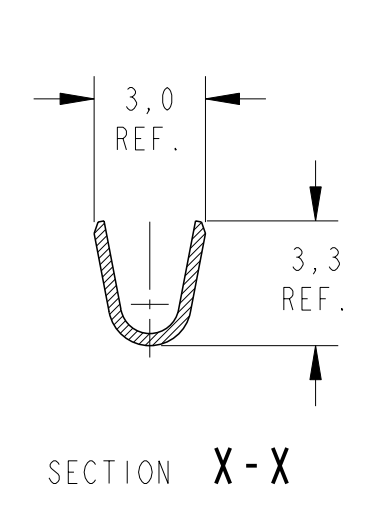
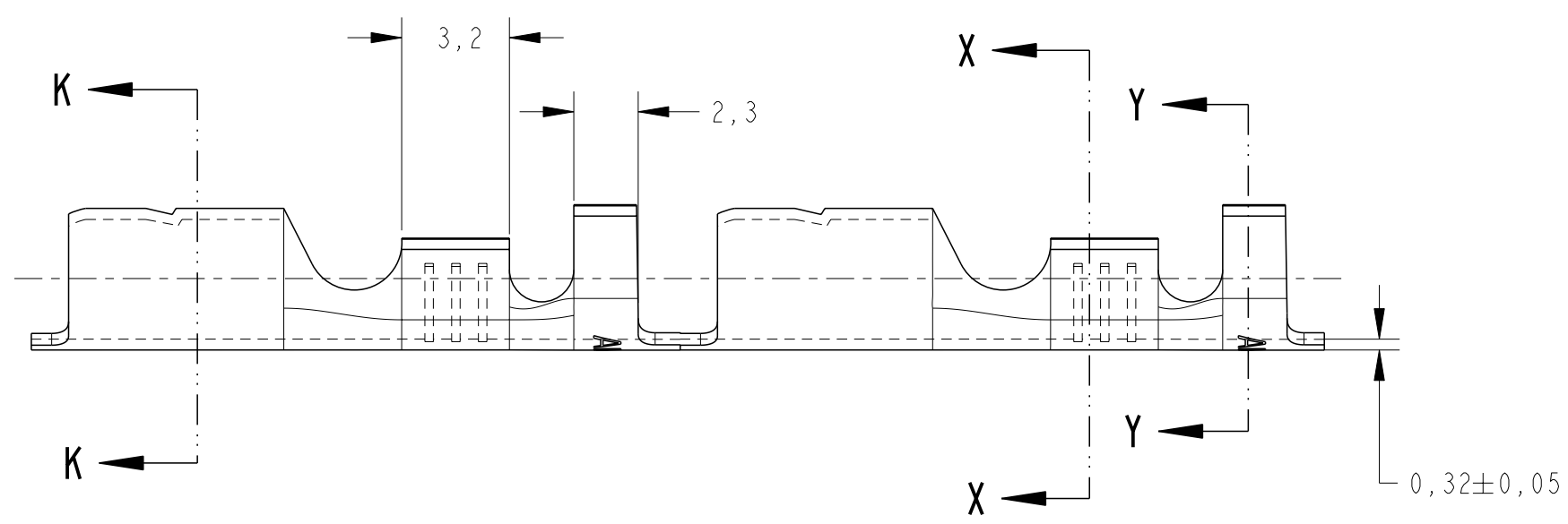
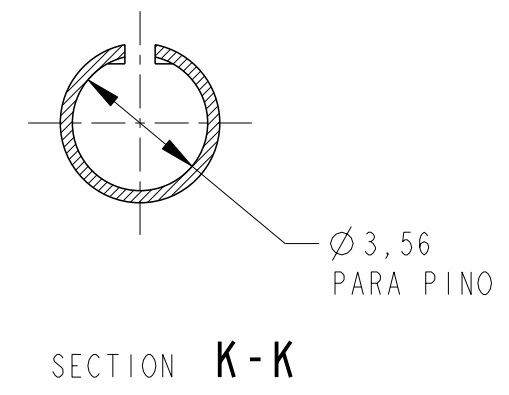
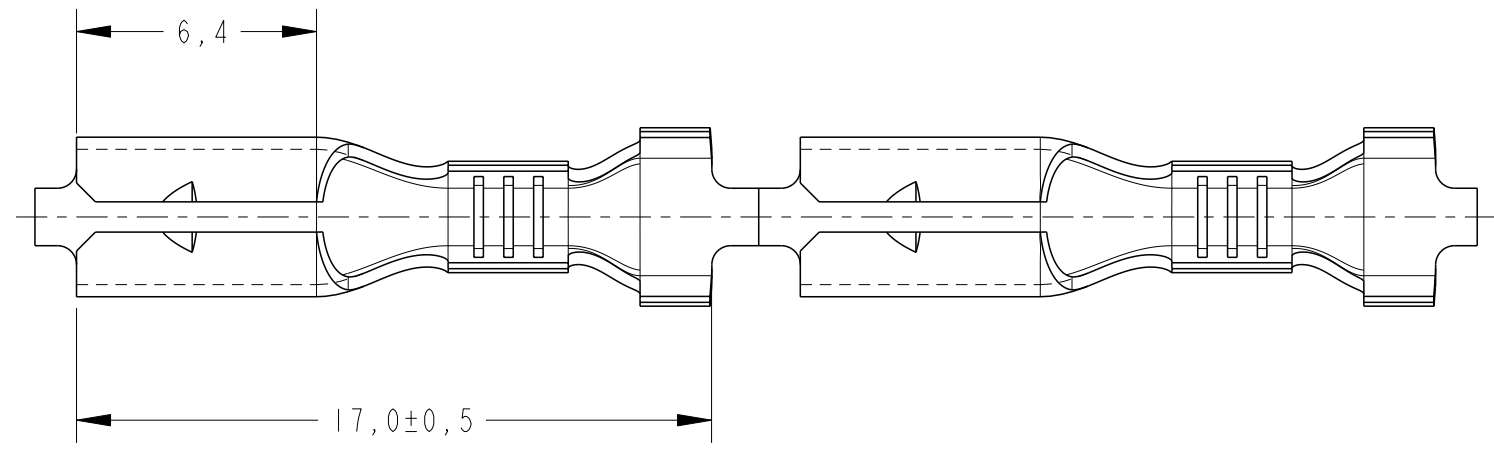
Address: A1208, Overseas Decoration Building, #122 Zhenhua RD., Futian, Shenzhen, China



LOC AP DIST -

REVISIONS

P	LTR	DESCRIPTION	DATE	DWN	APVD
C		REDRAWN BY CAD ECO-07-006139	21MAR2007	NCL	MR
D		REVISED DRAWING ECO-11-000075	05JAN2011	NCL	ASV



WIRE RANGE 20-16AWG	626212-2	ESTANHADO	LATÃO	626399-2
INSUL RANGE Ø 2,3-3,3mm	626212-1	—	LATÃO	626399-1
	PEÇA SOLTA	FINISH	MATERIAL	PART NO
<small>THIS DRAWING IS A CONTROLLED DOCUMENT FOR TYCO ELECTRONICS CORPORATION IT IS SUBJECT TO CHANGE AND THE CONTROLLING ENGINEERING ORGANIZATION SHOULD BE CONTACTED FOR THE LATEST REVISION.</small>		DWN NLAPRESA 21MAR2007	TYCO ELECTRONICS Brasil LTDA. Sao Paulo, Brasil	
DIMENSIONS: mm 		CHK A. PERUSSI 21MAR2007	NAME .140 DIA SHUR PLUG RECEPTACLE	
TOLERANCES UNLESS OTHERWISE SPECIFIED: 0 PLC ±0,4 1 PLC ±- 2 PLC ±- 3 PLC ±- 4 PLC ±- ANGLES ±1° FINISH SEE TABLE		APVD LWPRADO 21MAR2007	RESTRICTED TO	
MATERIAL SEE TABLE		PRODUCT SPEC - / -	SIZE A3	CAGE CODE -
		APPLICATION SPEC - / -	DRAWING NO C-626399	REV D
		WEIGHT - / -	SCALE 5:1	SHEET 1 OF 1
		CUSTOMER DRAWING		